

	Electrical system	Elektriskt system	Date Datum	Group Grupp	Page Sida
0050			1982-04	3	1
0020					
0040					
0060					
0080					
0100					
0120					
0140					
0160					
0180					
0200					
0220					
0240					
0260					
0280					
0300					
0320					
0340					
0360					
0380					
0400					
0420					
0440					
0460					
0480					
0500					
0520					
0540					
0560					
0580					
0600					
0620					
0640					
0660					
0680					
0700					
0720					
0740					
0760					
0780					
0800					
0820					
0840					
0860					
0880					
0900					
0920					
0940					
0960					
0980					
1000					
1020					
1040					
1060					
1080					
1100					
1120					
1140					
1160					
1180					
1200					
1220					
1240					
1260					
1280					
1300					
1320					
1340					
1360					
1380					

0 General	1-A02
Complete	1-C02
1 Tools	1-F02
2 Engine	1-G02
3 Electrical System, Instruments	2-A02
4 Transmission	2-E02
5 Brakes	2-G02
6 Front assembly, Steering	2-I02
7 Suspension, Wheels	2-J02
8 Body	3-A02
9 Accessories	3-K02
10 Numerical Index	4-A02

3 GROUP INDEX

Battery and battery cables	2-A06
Ignition system	2-A22
Lighting	2-B04
Electrical equipment, other	2-C04
Wiring and fuses	2-D06

1050

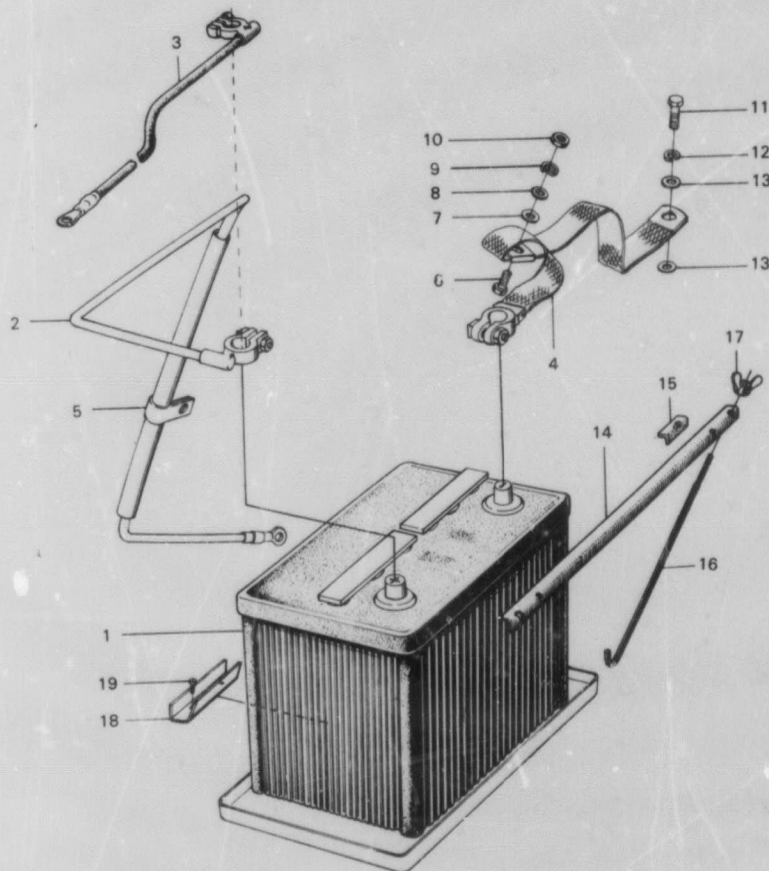
Page Sida	Group Grupp	Date Datum	Electrical system	Elektriskt system
	2	3	1982-04	
400			Vindruta- och strålkastarspolare from modell 1974	3: 63 2-C16
420			Elektriska manöverdon och kontakter	3: 65 2-C18
1440			Elektriska manöverdon	3: 71 2-C24
1450				
1460			Ledningar och säkringar.	3: 77 2-D06
1480			Ledningar, kopplingar etc.	3: 87 2-D16
1500			Kabelskor.	3: 89 2-D18
1520			Skarvhus, kontakthus etc.	3: 91 2-D20
1540			Säkringar.	
1560				
1580				
1600				
1620				
1640				
1660				
1680				
1700			Batterie, Batterieleitungen.	3: 5 2-A06
1720			Lichtmaschine, Reglerschalter, bis Baujahr ch -443.386.96 -47.295.95	3: 7 2-A08
1740			Lichtmaschine, Reglerschalter, ab Baujahr ch 443.387-96.47.296-95	3: 9 2-A10
1760			Lichtmaschine, Reglerschalter, ab Baujahr ch 96773004484-95773001664	3: 13 2-A14
1780			Anlasser	3: 17 2-A18
1800			Zündsystem	
1820			Zündspule, Zündkabeln, Zündkerzen	3: 21 2-A22
1840			Zündverteiler	3: 23 2-A24
1860				
1880			Beleuchtung	
1900			Scheinwerfer, Baujahr modell 1967 und 1968	3: 27 2-B04
1920			Scheinwerfer, Baujahr modell 1969	3: 29 2-B06
1940			Blink- und Parkleuchte	3: 33 2-B10
1960			Blink- und Parkleuchte modell 1978	3: 35 2-B12
1980			Schlussleuchte	3: 37 2-B14
2000			Schlussleuchte modell 1978	3: 41 2-B18
2020			Kennzeichenleuchte	3: 43 2-B20
2040			Kennzeichenleuchte modell 1978	3: 45 2-B22
2060			Übrige Beleuchtung	3: 47 2-B24
2080				
2100			Sonstige elektrische Ausrüstung	
2120			Signalhupe	3: 51 2-C04
2140			Scheibenwischer	3: 53 2-C06
2160			Scheinwerferwischer, Baujahr, modell 1971	3: 57 2-C10
2180			Scheibenwischer- Scheinwerferwascher bis Baujahr modell 1973	3: 61 2-C14
2200			Scheibenwischer- Scheinwerferwascher ab Baujahr modell 1974	3: 63 2-C16
2220			Elektrische Steuergeber und Kontakte	3: 65 2-C18
2240			Elektrische Steuergeber	3: 71 2-C24
2260				
2280			Leitungen und Sicherungen	
2300			Leitungen, Leitungskupplungen, usw	3: 77 2-D06
2320			Kabelschuhe	3: 87 2-D16
2340			Kabelverbinder, Kontaktgehäuse, usw	3: 89 2-D18
2360			Sicherungen	3: 91 2-D20
2380				
2400				
2420				
2440				
2460				
2480				
2500			Batterie et câbles	3: 5 2-A06
2520			Alternateur et régulateur de tension jusqu'au No de ch-443.386.96 -47.295.95	3: 7 2-A08
2540			Alternateur et régulateur de tension à partir du No de ch 443.387-96.47.296-95	3: 9 2-A10
2560			47.296-95	3: 13 2-A14
2580			Alternateur et régulateur de charge à partir des Nos de châssis	3: 13 2-A14
2600			96773004484-95773001664	3: 17 2-A18
2620			Démarrreur	
2640			Système d'allumage	
2660			Bobine, câbles et bougies	3: 21 2-A22
2680			Distributeur d'allumage	3: 23 2-A24
2700				
2720			Eclairage	
2740			Phares modèle 1967 et 1968	3: 27 2-B04
			Phares modèle 1969	3: 29 2-B06

Electrical system	Elektriskt system	Date Datum	Group Grupp	Page Sida
		1982-04	3	3
Clignoteur/feu stationnement			3: 33	2-B10
Clignotants/feux stationnement, modle 1978			3: 35	2-B12
Lanterne AR			3: 37	2-B14
Lanterne AR modle 1978			3: 41	2-B18
Eclairage plaque de police			3: 43	2-B20
Eclairage plaque de police modle 1978			3: 45	2-B22
Autre clorage			3: 47	2-B24
Autre équipement lectrique				
Commande d'avertisseur et avertisseur sonore			3: 51	2-C04
Essuie-glace			3: 53	2-C06
Essuie-phares, modle 1971-			3: 57	2-C10
Lave-glace et lave-phares jusqu'au modle 1973			3: 61	2-C14
Lave-glace et lave-phares à partir du modle 1974			3: 63	2-C16
Dispositifs de commande et contacts			3: 65	2-C18
Dispositifs de commande			3: 71	2-C24
Conduites et fusibles				
Conduites, connexiones, etc			3: 77	2-D06
Cosses de câble			3: 87	2-D16
Blocs de raccordement, connecteurs, etc			3: 89	2-D18
Fusibles			3: 91	2-D20
SUMARIO				
Bateria y cables de bateris			3: 5	2-A06
Alternador y regulador de tensin hasta el ch -443.386.96 -47.295.95			3: 7	2-A08
Alternador y regulador de tensin desde el ch 443.387-96.47.296-95			3: 9	2-A10
Alternador y regulador de carga, desde los num, de chasis 96773004484-95773001664			3: 13	2-A14
Motor de arranque			3: 13	2-A14
Sistema de encendido			3: 17	2-A18
Bobina, cables y bujias			3: 21	2-A22
Distribuidor de encendido			3: 23	2-A24
Alumbrado				
Faros, modelo 1967 y 1968			3: 27	2-B04
Faros, modelo 1969			3: 29	2-B06
Intermitente/luz de aparcamiento			3: 33	2-B10
Intermitente/luz de aparcamiento, modelo 1978			3: 35	2-B12
Lámpara de cola			3: 37	2-B14
Luz de cola 96, modelo 1978			3: 41	2-B18
Luz de matrícula			3: 43	2-B20
Luz de matrícula, modelo 1978			3: 45	2-B22
Otro alumbrado			3: 47	2-B24
Otro equipo eléctrico				
Mando de señal acstico			3: 51	2-C04
Limpiaaparabrisas			3: 53	2-C06
Limpiaacristales de faro, modelo 1971			3: 57	2-C10
Lavaparabrisas y lavacristales de faro hasta el modelo 1973			3: 61	2-C14
Lavaparabrisas y lavacristales de faro desde el modelo 1974			3: 63	2-C16
Dispositivos de mando y contactos			3: 65	2-C18
Dispositivos de mando			3: 71	2-C24
Conductos y conexiones, etc				
Conductos y fusibles			3: 77	2-D06
Dispositivos de mando y contactos			3: 87	2-D16
Bloques de conexin, contactores, etc			3: 89	2-D18
Fusibles			3: 91	2-D20

0 General	1-A02
Complete	1-C02
1 Tools	1-F02
2 Engine	1-G02
3 Electrical System, Instruments	2-A02
4 Transmission	2-E02
5 Brakes	2-G02
6 Front assembly, Steering	2-I02
7 Suspension, Wheels	2-J02
8 Body	3-A02
9 Accessories	3-K02
10 Numerical Index	4-A02

## 3 GROUP INDEX

Battery and battery cables	2-A06
Ignition system	2-A22
Lighting	2-B04
Electrical equipment, other	2-C04
Wiring and fuses	2-D06



0100

Battery		Batteri och batterikablar		Date Datum	Illustration Bild nr	Group Grupp	Page Sida
				1982-04	R1917	3	5
Fig. Pos.	Part No Art nr	Quantity/Antal		Description	Benämning	K S S R / L	Notes Anmärkning
		96	95				
0020	1 73 26 507	1	1	Battery 44 Ah	Batteri 44 Ah		4) 65/4202, DRY CHARGED
0040	1 73 26 507	1	1	Battery R.H.D. 44 Ah	Batteri R.H.D. 44 Ah		5) 65/4202, DRY CHARGED
0060							
0080	1 85 02 064	1	1	Battery 60 Ah	Batteri 60 Ah		1,6) 65/4235, DRY CHARGED
0120	1 85 20 900	1	1	Battery 60Ah	Batteri 60Ah		7,8) 65/4235, ONLY SWEDEN, DRY CHARGED
0140							7,8) 65/4235, DRY CHARGED, ALT TO 8520900
0160	1 85 20 793	1	1	Battery 60 Ah	Batteri 60Ah		9) DRY CHARGED
0180							
0220	1 85 30 347	1	1	Battery 60 Ah	Batteri 60 Ah		
0240	2 88 06 933	1	1	Cable battery-start-er motor	Kabel batteri-start-motor		5) 2)
0260							
0280	2 88 36 397	1	1	Cable battery-start-er motor	Kabel batteri-start-motor		5) 3)
0300							
0320	3 73 26 515	1	1	Cable battery-start-er motor	Kabel batteri-start-motor		5) R.H.D.
0340							
0360	4 88 06 739	1	1	Cable battery-ground	Kabel batteri-jord		4)
0380	5 88 01 771	1	1	Clamp	Klamms		(0) 2)
0400	5 88 08 941	1	1	Clamp, battery cable	Klamms, batterikabel		3,4)
0420	5 88 52 949	1	1	Clamp, battery cable	Klamms, batterikabel		5) 4)
0440	6 79 03 016	1	1	Screw	Skruv		5)
0460	7 79 33 849	1	1	Washer	Bricka		5)
0480	8 80 29 969	1	1	Washer	Bricka		5)
0500	9 79 10 540	1	1	Washer	Bricka		5)
0520	10 79 14 690	1	1	Nut	Mutter		5)
0540	11 88 03 991	1	1	Screw	Skruv		5)
0560	12 79 10 557	1	1	Washer	Bricka		5)
0580	13 88 02 316	2	2	Washer	Bricka		5)
0600	14 73 34 451	1	1	Angular bracket	Vinkel		S) 4)
0620	16 70 88 693	2	2	Pad	Mellanlägg		S) 5)
0640	16 73 26 580	2	2	Hook	Håke		5) L.H.D
0660	16 73 26 580	1	1	Hook	Håke		5) L.H.D.
0680	16 88 54 002	1	1	Hook	Håke		
0700	17 70 60 106	2	2	Wing nut	Vingmutter		S) 5)
0720	18 73 43 577	1	1	Support	Stödvinkel		4) 4) FOR CARS WITH 60 AH BATTERY
0740							
0760	19 79 22 844	1	1	Screw	Skruv		5)
0780	82 09 686	X	X	Kit, battery bracket	Sats, batterihållare		5) (88 16 381)

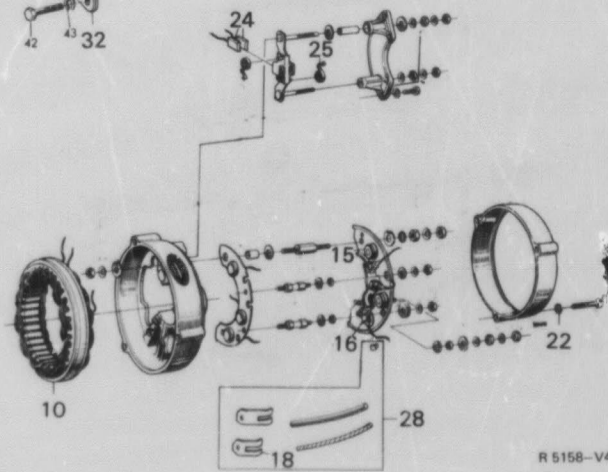
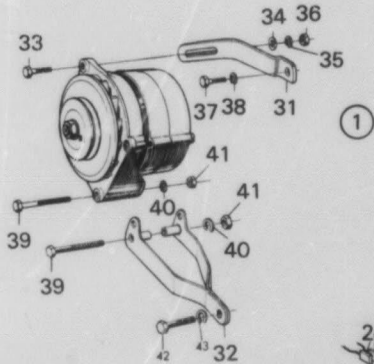
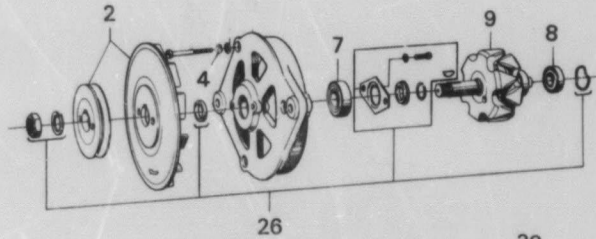
R 1917 - V4

1. Ch. 96 520 001 - 96 065 001 -
2. Ch. 96 552 859 - 96 074 986
3. Ch. 96 560 001 - 96 080 001 -
4. Ch. 96 592 844 - 60601540 - 96 088 371 - 50600838
5. Ch. 96 600 001 - 61600001 - 96 095 001 - 51600001
6. Ch. 96 742017275 - 96 746005605 - 95 742006620 - 95 746000105
7. Ch. 96 752000001 - 96 756000001 - 95 752000001 - 95 756000001 -
8. Ch. 96 752015165 - 96 756007419 - 95 752002048 - 95 753003018 - 95 756000281
9. Ch. 96 752060001 - 96 762000001 - 96 766000001 - 95 763060001 - 95 766000001 -

- 0 General 1-A02
- Complete 1-C02
- 1 Tools 1-F02
- 2 Engine 1-G02
- 3 Electrical System, Instruments 2-A02
- 4 Transmission 2-E02
- 5 Brakes 2-G02
- 6 Front assembly, Steering 2-I02
- 7 Suspension, Wheels 2-J02
- 8 Body 3-A02
- 9 Accessories 3-K02
- 10 Numerical Index 4-A02

3 GROUP INDEX

- Battery and battery cables 2-A06
- Ignition system 2-A22
- Lighting 2-B04
- Electrical equipment, other 2-C04
- Wiring and fuses 2-D06



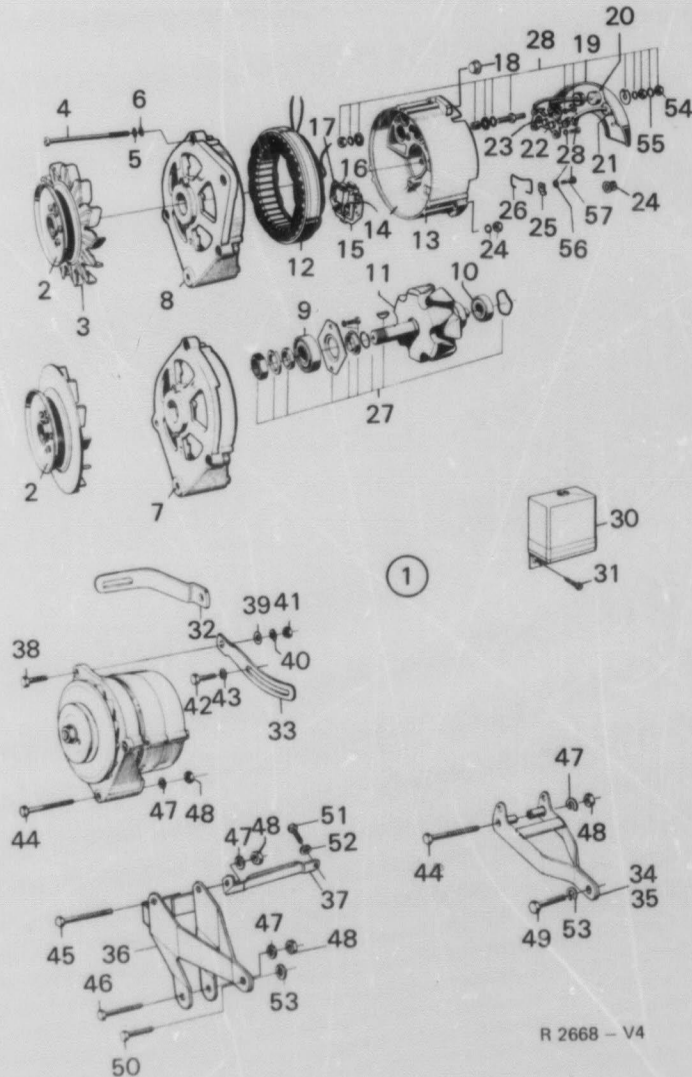
0150

<b>Alternator</b> Up to and incl. Ch-443,386,96 -47.295,95	<b>Växelströmgenerator</b> T.o.m Ch.443.386, 96. - 47.295,95.	Date Datum 1982-04	Illustration Bild nr R5158	Group Grupp 3	Page Sida 7
--	---	--------------------------	----------------------------------	---------------------	-------------------

Fig Pos.	Part No Art nr	Quantity/Antal		Description	Benämning	K/S S/R /L	Notes Anmärkning
		96	95				
0020	1	1	1	Alternator assy	Generator kpl		0 10) BOSCH K 1 (L)14V 35 A 20 0 120 400 815
0040	2	1	1	..Fan disc with belt pulley	..Rem och fläktskiva	5	
0060	4	1	3	..Lock washer	..Fjäderbricka	5	
0100	7	1	1	..Ball bearing	..Kullager	3	
0200	8	1	1	..Ball bearing	..Kullager	3	
0220	9	1	1	..Rotor	..Stator	6	
0240	10	1	1	..Stator	..Stator	6	
0280	15	3	3	...Rectifier, positive	...Liktaktare +	6	
0340	16	3	3	...Exit diode	...Magnetseringslik- riktare	4	
0360	18	3	3	..Fixing strop	..Fästklamma	1	
0420	22	3	3	..Lock washer	..Fjäderbricka	3	
0500	24	1	1	..Carbon brush set	..Borstsats	3	
0540	26	1	1	Parts set for rotor	Reparationsats rotor		
0580	28	1	1	Part set for heat sink plate	Reparationsats lik- riktarkablar		
0640	29	1	1	Charging regulator	Laddningsregulator	2	
0660	30	2	2	Screw	Skruv	5	
0680	31	1	1	Generator bar	Generatorstag	5	
0700	32	1	1	Generator bracket	Generatorbygel	0	
0720	33	1	1	Screw	Skruv	5	
0740	34	1	1	Washer	Bricka	5	
0760	35	1	1	Washer	Bricka	5	
0780	36	1	1	Nut	Mutter	5	
0800	37	1	1	Screw	Skruv	5	
0820	38	1	1	Washer	Bricka	5	
0840	39	2	2	Screw	Skruv	5	
0860	40	2	2	Washer	Bricka	5	
0880	41	2	2	Nut	Mutter	5	
0900	42	1	1	Screw	Skruv	5	(88 07 992)
0920	43	1	1	Washer	Bricka	5	

R 5158-V4

0 General	1-A02
Complete	1-C02
1 Tools	1-F02
2 Engine	1-G02
3 Electrical System, Instruments	2-A02
4 Transmission	2-E02
5 Brakes	2-G02
6 Front assembly, Steering	2-I02
7 Suspension, Wheels	2-J02
8 Body	3-A02
9 Accessories	3-K02
10 Numerical Index	4-A02
<b>3 GROUP INDEX</b>	
Battery and battery cables	2-A06
Ignition system	2-A22
Lighting	2-B04
Electrical equipment, other	2-C04
Wiring and fuses	2-D06



0200		Alternator		Växelströmsgenerator		Date	Illustration	Group	Page
		Up to and incl Ch.-9677		T.o.m Ch.-96773004483.		1982-04	R2668	3	9
		3004483.-95773001663.		-95773001663.					
Fig. Pos.	Part No Art nr	Quantity/Antal		Description	Benämning	K/S	Notes	Anmärkning	L
		96	95						
0020	1	88 02 720	1	1	Alternator assy, 35 A	Generator kpl., 35 A	0	11) BOSCH 0 120 400 615 (ROTATING COUNTER-CLOCKWISE)	
0040	1	88 16 068	1	1	Alternator assy, 35 A	Generator kpl., 35 A	12, 18)	BOSCH 0 120 400 656 SUPERSEDED BY 85 59 742	
0060	2	78 63 053	1	1	.Belt pulley	.Remskiva	5	14)	
0120	2	88 14 121	1	1	.Belt pulley	.Remskiva	5	15)	
0140	3	88 14 130	1	1	.Fan disc	.Fläktskiva	6	14)	
0150	4	78 67 237	3	3	.Screw	.Skruv	5	5	
0180	5	78 48 500	3	3	.Washer	.Bricka	5	5	
0200	6	78 67 245	3	3	.Washer	.Underläggsbricka	5	5	
0220	8	88 14 147	1	1	.Drive end with bearing	.Drivlager	6	6	
0240	9	78 48 088	1	1	.Ball bearing	.Kullager	3	3	
0260	10	78 48 161	1	1	.Ball bearing	.Kullager	3	3	
0280	11	78 48 153	1	1	.Rotor	.Rotor	6	6	
0300	12	78 67 260	1	1	.Stator	.Stator	6	6	
0320	13	78 67 278	1	1	.Slip-ring end bracket assy	.Släpplingslager kpl. assy	6	14)	
0340	13	88 53 566	1	1	.Slip-ring end bracket assy	.Släpplingslager kpl. assy	6	15)	
0360	14	78 67 286	1	1	..Slip-ring bearing	..Släpplingslager	6	14)	
0380	14	88 53 574	1	1	..Slip-ring bearing	..Släpplingslager	6	15)	
0400	15	78 67 294	1	1	..Brush plate	..Borstplatta	4	14)	
0420	15	85 05 299	1	1	..Brush plate	..Borstplatta	4	15)	
0440	18	78 48 542	1	1	..Brush set	..Borstsaets	3	3	
0460	17	88 14 162	2	2	..Brush spring	..Tryckfjäder	6	15)	
0480	18	78 67 302	3	3	..Rectifier, negative	..Likriktare	6	6	
0500	19	85 05 224	1	1	..Heat sink assy	..Kylkropp kpl.	6	14, 15)	
0520	20	78 67 328	1	1	..Heat sink	..Kylkropp	6	6	
0540	21	78 67 336	3	3	...Rectifier positive	...Likriktare +	6	6	
0560	22	88 14 170	1	1	..Rectifier plate	..Likriktarplatta	6	14)	
0580	22	85 05 232	1	1	..Rectifier plate	..Likriktarplatta	6	15)	
0600	23	78 67 351	3	3	...Exciter diode	...Magnetiseringslikriktare	4	14)	
0620	23	85 05 240	3	3	...Exciter diode	...Magnetiseringslikriktare	4	15)	
0640	24	88 14 188	1	1	.Protective cover	.Skyddslöck	0	15)	
0660	25	88 14 196	2	2	.Clamp	.Klamms	5	15)	
0680	26	88 14 204	1	1	.Spring	.Fjäder	6	15)	
0700	27	78 67 369	1	1	Repair kit for rotor	Reparationssats, rotor	6	6	
0720	28	78 67 377	1	1	Set of nuts, screws and washer	Sats monteringsdelar	6	6	
0740	30	73 34 634	1	1	Charging regulator	Laddningsregulator	2	2	
0760	31	79 22 974	2	2	Screw	Skruv	5	5	
0780	32	88 01 201	1	1	Alternator bar	Generatorstag	5	CH -96 520 190 -95 065 052	
0800	23	88 06 531	1	1	Alternator bar	Generatorstag	5	CH, 96 520 191 -581 840 95 065 053-065 802	
0820	33	88 38 443	1	1	Alternator bar	Generatorstag	5	13)	
0840	34	88 01 169	1	1	Alternator bar	Generatorstag	0	11)	
0860	35	88 06 341	1	1	Alternator bracket	Generatorbygel	0	CH, 96 521, 186 -581 840 95 065 354 -085 802	
0880									
0900									
0920									
0940									
0960									
0980									
1000									
1020									
1040									
1060									
1080									
1100									
1120									
1140									
1160									
1180									
1200									
1220									

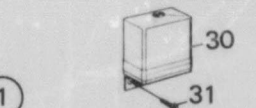
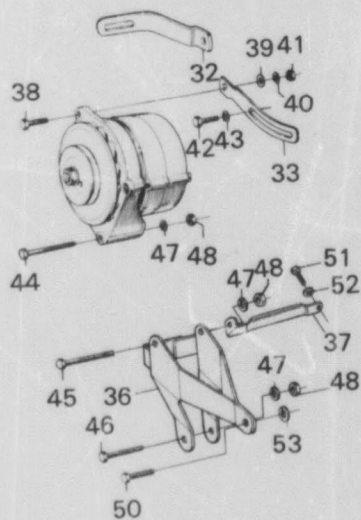
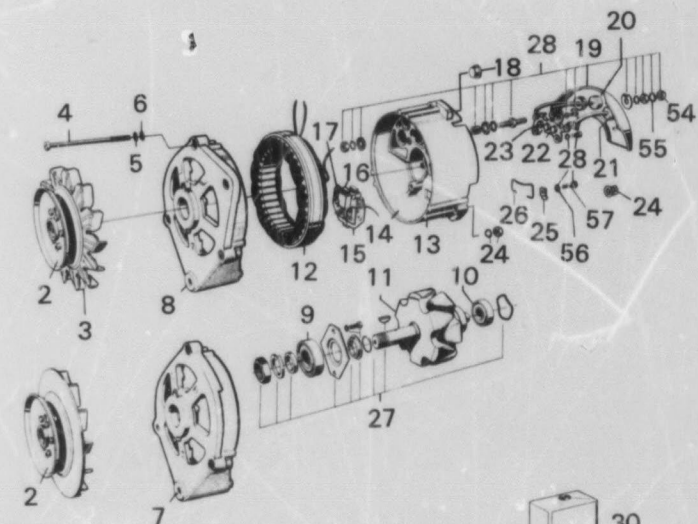
R 2668 - V4

11. Ch.-96 521.185-60601030. 95.065.353-50600535.  
12. Ch. 96.521.186.-. 95.065.354- alt Bosch 0 120 400 850 as from ch. 96752013172-. 95753002472- (integral parts see Spare Parts Catalogue Saab 99 M74-.)  
13. Ch. 96.581.841.- 60.601.031-. 95.085.803- 50.600.536-  
14. Part of 8802720  
15. Part of 8519068  
18. Ch.-96773004483.-95773001663.

- 0 General 1-A02
- Complete 1-C02
- 1 Tools 1-F02
- 2 Engine 1-G02
- 3 Electrical System, Instruments 2-A02
- 4 Transmission 2-E02
- 5 Brakes 2-G02
- 6 Front assembly, Steering 2-I02
- 7 Suspension, Wheels 2-J02
- 8 Body 3-A02
- 9 Accessories 3-K02
- 10 Numerical Index 4-A02

3 GROUP INDEX

- Battery and battery cables 2-A06
- Ignition system 2-A22
- Lighting 2-B04
- Electrical equipment, other 2-C04
- Wiring and fuses 2-D06



0200

Alternator

Up to and incl Ch.-9677  
3004483.-95773001663.

Växelströmgenerator

T.o.m Ch.-95773004483.  
-95773001663.

Date  
Datum  
1982-04

Illustration  
Bild nr  
R2668

Group  
Grupp  
3

Page  
Sida  
11

Fig. Pos.	Part No Art nr	Quantity/Antal		Description	Benämning	K/S S/R L	Notes Anmärkning
		96	95				
1240	36 88 34 723	1	1	Alternator bracket	Generatorbygel	4	13)
1280	37 88 34 731	1	1	Stay	Stag	5	13)
1280	38 79 03 180	1	1	Screw	Skruv	5	11)
1300	38 79 03 172	1	1	Screw	Skruv	5	CH. 96 521.186- 95 065. 354
1320						5	
1340	39 80 29 985	1	1	Washer	Bricka	5	
1360	40 79 10 557	1	1	Washer	Bricka	5	
1380	41 79 14 708	1	1	Nut	Mutter	5	
1400	42 80 62 943	1	1	Screw	Skruv	5	
1420	43 79 10 557	1	1	Washer	Bricka	5	
1440	44 79 03 255	2	2	Screw	Skruv	5	CH.507.018, 96-62.059.55
1460	44 79 03 263	2	2	Screw	Skruv	5	CH.96.520.001-581.640 95.065.001-065.802
1480						5	
1500	45 79 03 263	1	1	Screw	Skruv	5	13)
1520	46 79 03 180	1	1	Screw	Skruv	5	13)
1540	47 79 10 557	2	2	Washer	Bricka	5	
1560	48 79 14 708	2	2	Nut	Mutter	5	
1580	48 80 82 968	1	1	Screw	Skruv	5	CH.-96.581.640.-95. 085.802. (88 07 992)
1581						5	
1600	50 80 82 943	1	1	Screw	Skruv	5	13)
1620	51 80 83 131	1	1	Screw	Skruv	5	13)
1640	52 88 02 175	1	1	Washer	Bricka	5	13)
1660	53 79 10 557	1	1	Washer	Bricka	5	
1680	54 80 29 505	1	1	Nut	Mutter	5	
1700	55 79 10 540	1	1	Washer	Bricka	5	
1720	56 79 10 532	1	1	Washer	Bricka	5	4)
1740	57 71 28 978	1	1	Screw	Skruv	5	4)

R 2668 - V4

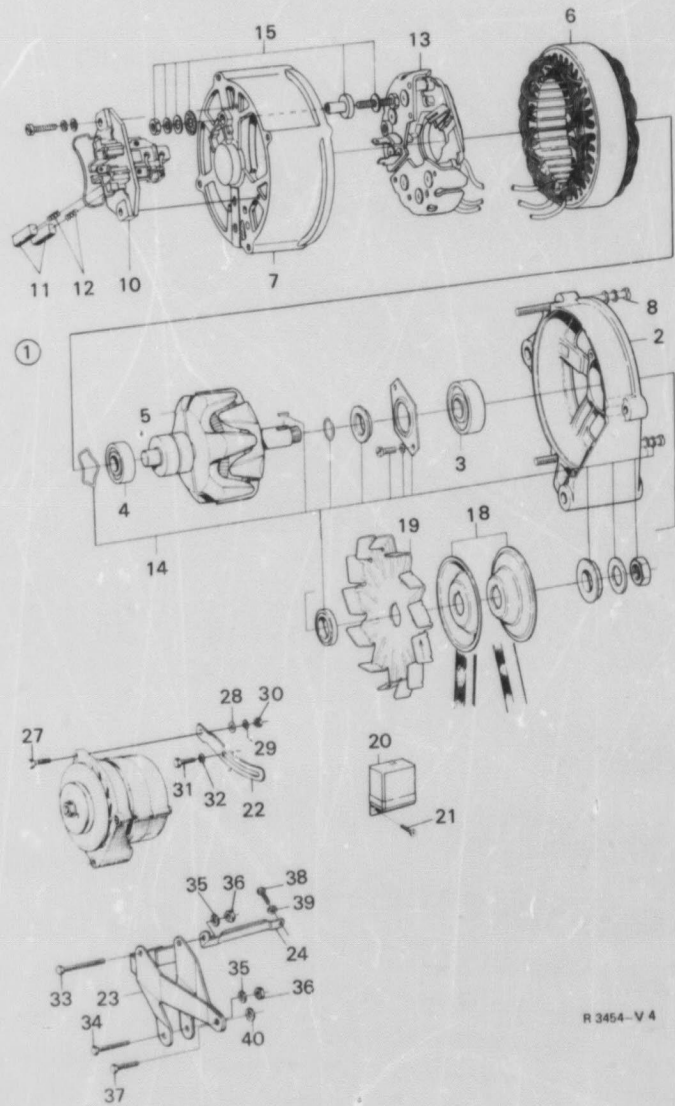
0 General	1-A02
Complete	1-C02
1 Tools	1-F02
2 Engine	1-G02
3 Electrical System, instruments	2-A02
4 Transmission	2-E02
5 Brakes	2-G02
6 Front assembly, Steering	2-I02
7 Suspension, Wheels	2-J02
8 Body	3-A02
9 Accessories	3-K02
10 Numerical Index	4-A02
3 GROUP INDEX	
Battery and battery cables	2-A06
Ignition system	2-A22
Lighting	2-B04
Electrical equipment, other	2-C04
Wiring and fuses	2-D06

SAAB  
genuine parts  
original reservdelar

# 2-A14

SAAB V4  
M67-80

MASTER INDEX



0250

**Alternator Bosch 55A**  
As from Ch.96773004484-  
95773001664-

**Generator Bosch 55 A**  
Fr.o.m. Ch.96773004484-  
95773001664-

Date  
Datum  
1962-04

Illustration  
Bild nr  
R3454

Group  
Grupp  
3

Page  
Sida  
13

Fig. Pos.	Part No Art nr	Quantity/Antal		Description	Benämning	K/S S/R /L	Notes Anmärkning
		96	95				
0020	1 85 30 446	1	1	Alternator assy	Generator kpl	6	BOSCH O 120 400 922
0060	2 85 50 055	1	1	.Driving end with bearing	.Drivlager	6	
0080							
0100	3 78 48 088	1	1	.Ball bearing	.Kullager	3	
0120	4 78 48 161	1	1	.Ball bearing	.Kullager	3	
0140	5 85 50 063	1	1	.Rotor	.Rotor	6	
0160	6 85 50 048	1	1	.Stator	.Stator	6	
0180	7 85 50 071	1	1	.Slip ring bearing	.Slipringslager	5	
0200	8 85 50 139	4	4	.Screw	.Skruv	4	
0220	10 85 50 089	1	1	.Brush unit assy	.Borstplatta kpl	4	
0240	11 85 50 097	1	1	.Brush set	.Borstatts	3	
0260	12 85 50 105	2	2	.Brush spring	.Tryckfjäder	6	
0280	13 85 71 903	1	1	.Rectifier unit	.Likriktarenhet	0	
0300	14 85 50 121	1	1	.Part kit, rotor	.Delsats, rotor	6	
0320	15 85 51 673	1	1	.Part kit, connection B +	.Delsats, anslutning B +	6	
0340							
0390	18 85 20 882	1	1	Belt pulley	B +	5	
0380	19 88 14 139	1	1	Fan disc	Fäktskiva	8	
0400	20 73 34 534	1	1	Charging regulator	Laddningsregulator	2	
0420	21 79 22 874	1	1	Screw	Skruv	5	
0440	22 88 38 443	1	1	Alternator bar	Generatorstag	5	
0460	23 88 34 723	1	1	Alternator bracket	Generatorbygel	4	
0480	24 88 34 731	1	1	Stay	Stag	4	
0500	27 79 03 172	1	1	Screw	Skruv	5	
0520	28 80 29 985	1	1	Washer	Bricka	5	
0540	29 79 10 557	1	1	Washer	Mutter	5	
0560	30 79 14 708	1	1	Nut	Skruv	5	
0580	31 80 82 943	1	1	Screw	Skruv	5	
0600	32 79 10 557	1	1	Washer	Bricka	5	
0620	33 79 03 263	1	1	Screw	Skruv	5	
0640	34 79 03 180	1	1	Screw	Skruv	5	
0660	35 79 10 557	2	2	Washer	Bricka	5	
0680	36 79 14 708	2	2	Nut	Mutter	5	
0700	37 80 82 943	1	1	Screw	Skruv	5	
0720	38 80 83 131	1	1	Screw	Skruv	5	
0740	39 88 02 175	1	1	Washer	Bricka	5	
0760	40 79 10 557	1	1	Washer	Bricka	5	

R 3454-V 4

0 General	1-A02
Complete	1-C02
1 Tools	1-F02
2 Engine	1-G02
3 Electrical System, Instruments	2-A02
4 Transmission	2-E02
5 Brakes	2-G02
6 Front assembly, Steering	2-I02
7 Suspension, Wheels	2-J02
8 Body	3-A02
9 Accessories	3-K02
10 Numerical Index	4-A02
3 GROUP INDEX	
Battery and battery cables	2-A06
Ignition system	2-A22
Lighting	2-B04
Electrical equipment, other	2-C04
Wiring and fuses	2-D06

0275

Alternator SEV MARCHAL  
Alternative  
see foot note 134)

Generator SEV MARCHAL  
Alternativ  
se fotnot 134)

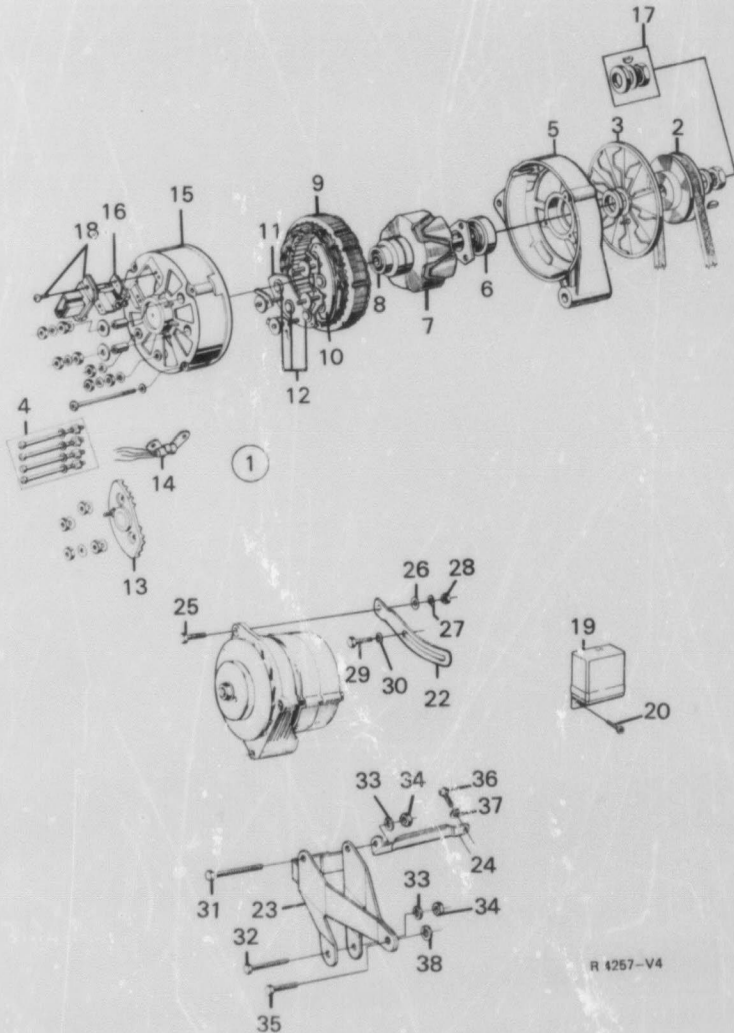
Date  
Datum  
1982-04

Illustration  
Bild nr  
R4257

Group  
Grupp  
3

Page  
Sida  
15

Fig. Pos.	Part No Art nr	Quantity/Antal	Description	Benämning	KS SR	Notes Anmärkning
		96				
0020	1 85 20 958	1	Alternator assy	Generator kpl	6	134)SUPERSEDED BY 85 57 078
0021	2 85 20 934	1	.Belt pulley	.Remskiva	5	
0040	3 85 20 928	1	.Fan disc	.Fläktskiva	6	
0080	4 85 17 880	1	.Kit, screws	.Sats, skruvar	6	
0100	5 85 17 773	1	.Drive end with bearing	.Drivlagerhus	6	
0120	6 85 17 799	1	.Ball bearing	.Kullager	3	
0140	7 85 20 918	1	.Rotor assy	.Rotor kpl	6	
0150	8 85 17 807	1	.Ball bearing	.Kullager	3	
0180	9 85 40 974	1	.Stator	.Stator	6	
0200	10 85 17 930	1	.Rectifier plate -	.Likriktarenhet -	6	
0220	11 85 17 948	1	.Rectifier plate +	.Likriktarenhet +	6	
0240	12 85 17 984	1	.Kit, rectifier	.Sats, likriktare	6	
0280	13 85 17 872	1	.Insulation diode	.Isolationsdiod	5	
0300	14 05 45 261	1	.Exiter diode	.Magnetiseringsdiod	6	
0320	15 85 20 975	1	.Slipring end bracket	.Lagerhus, släppling	4	
0340	16 85 17 971	1	.Brush unit	.Borstplatta	6	
0360	17 85 20 942	1	.Part kit	.Detaljats	6	
0380	18 85 30 339	1	.Connector with screw	.Anslutningshus med skruv	6	
0400						
0420	19 73 34 634	1	Charging regulator	Laddningsregulator	2	
0440	20 79 22 974	1	Screw	Skruv	5	
0460	22 88 38 443	1	Alternator bar	Generatorstag	5	
0480	23 88 34 723	1	Alternator bracket	Generatorfäste	4	
0500	24 88 34 731	1	Stay	Stag	5	
0520	25 79 03 172	1	Screw	Skruv	5	
0540	26 80 29 985	1	Washer	Bricka	5	
0560	27 79 10 557	1	Washer	Bricka	5	
0580	28 79 14 708	1	Nut	Mutter	5	
0600	29 80 82 943	1	Screw	Skruv	5	
0620	30 79 10 557	1	Washer	Bricka	5	
0640	31 79 03 263	1	Screw	Skruv	5	
0660	32 79 03 180	1	Screw	Skruv	5	
0680	33 79 10 557	2	Washer	Bricka	5	
0700	34 79 14 708	2	Nut	Mutter	5	
0720	35 80 82 943	1	Screw	Skruv	5	
0740	36 80 83 131	1	Screw	Skruv	5	
0760	37 88 02 175	1	Washer	Bricka	5	
0780	38 79 10 557	1	Washer	Bricka	5	



R 4257-V4

0 General	1-A02
Complete	1-C02
1 Tools	1-F02
2 Engine	1-G02
3 Electrical System, Instruments	2-A02
4 Transmission	2-E02
5 Brakes	2-G02
6 Front assembly, Steering	2-I02
7 Suspension, Wheels	2-J02
8 Body	3-A02
9 Accessories	3-K02
10 Numerical Index	4-A02

3 GROUP INDEX

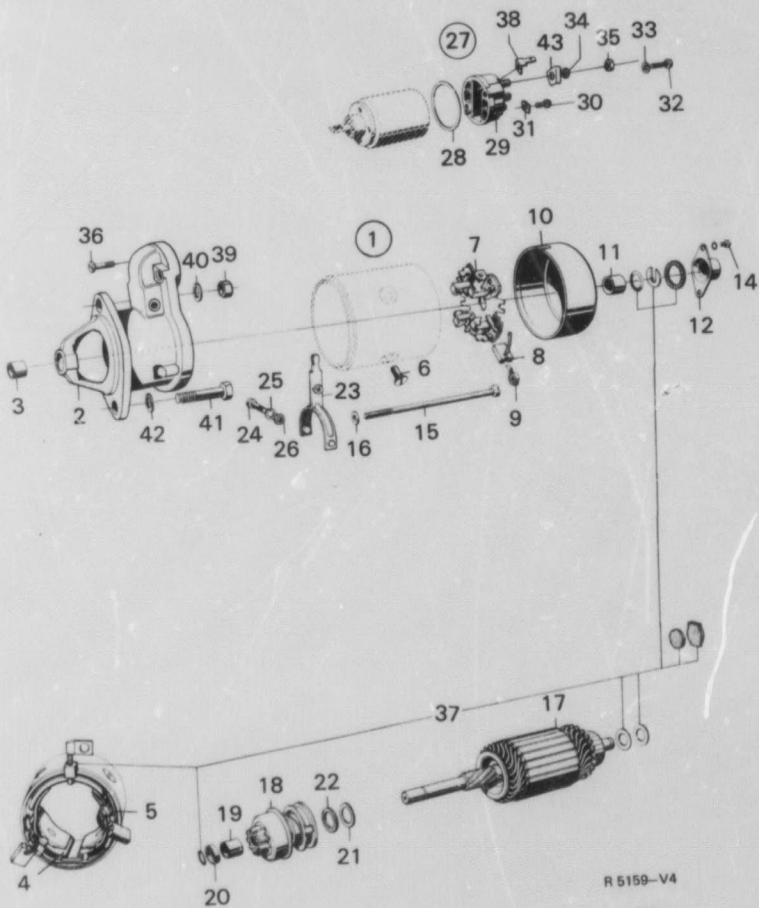
Battery and battery cables	2-A06
Ignition system	2-A22
Lighting	2-B04
Electrical equipment, other	2-C04
Wiring and fuses	2-D06



0300

Startar	Startmotor	Date Datum	Illustration Bild nr	Group Grupp	Page Sida
		1982-04	R5159	3	17

Fig. Pos.	Part No Art nr	Quantity/Antal		Description	Benämning	K/S S/R /L	Notes Anmärkning
		95	96				
0020	1 88 01 078	1	1	Starter assy	Startmotor kpl		0 19) BOSCH 0 00 1 208 029
0040	1 88 07 596	1	1	Starter assy	Startmotor kpl		1,23) BOSCH 0 001 311 023
0080	1 88 62 245	1	1	Starter assy	Startmotor kpl		5 24) BOSCH 0 00 1 311 109
0100							
0120	2 78 54 755	1	1	.Drive end bracket assy	.Drevhus kpl		6 20)
0140							
0180	2 88 14 816	1	1	.Drive end bracket assy	.Drevhus kpl		6 21)
0200							
0220	2 88 62 864	1	1	.Drive end bracket assy	.Drevhus kpl		6 22)
0240							
0280	3 83 22 216	1	1	..Bearing bushing	..Lagerbussning		20)
0280	3 83 04 818	1	1	..Bearing bushing	..Lagerbussning		3 21)
0300	3 83 22 216	1	1	..Bearing bushing	..Lagerbussning		3 22)
0320	4 78 54 599	1	1	.Main field winding	.Fältindning		6 20)
0340	4 88 14 824	1	1	.Main field winding	.Fältindning		6 21)
0380	4 83 22 224	1	1	.Main field winding	.Fältindning		6 22)
0380	5 78 54 730	1	1	.Insulating strip	.Isolantlert		6 20,21)
0400	6 78 54 748	4	4	.Screw	.Skruv		20)
0440	6 83 22 232	4	4	.Screw	.Skruv		5 22)
0480	7 88 14 451	1	1	.Brush plate	.Borstplatta		6 21)
0480	7 83 04 842	1	1	.Brush plate	.Borstplatta		20,22)
0500	8 78 54 896	2	2	.Carbon brush set	.Borstatts		4
0520	8 93 20 789	1	1	.Carbon brush set	.Borstatts		22)
0540	9 78 54 904	2	2	.Carbon brush spring	.Borstfjäder		6
0560	9 83 22 257	4	4	.Carbon brush spring	.Borstfjäder		6 22)
0580	10 78 54 862	1	1	.Commutator end bracket assy	.Kommulatorlager kpl		20)
0600							
0620	10 88 14 832	1	1	.Commutator end bracket assy	.Kommulatorlager kpl		6 21)
0640							
0660	10 83 22 265	1	1	.Commutator end bracket assy	.Kommulatorlager kpl		6 22)
0680							
0700	11 93 23 890	1	1	..Bearing bushing	..Lagerbussning		6
0720	12 78 54 912	1	1	.Cover cap	.Kapsel		6 20)
0760	14 78 01 210	2	2	.Screw	.Skruv		5 21,22)
0730	14 83 04 875	2	2	.Screw	.Skruv		5 21)
0820	15 83 04 883	2	2	.Screw	.Skruv		5 22)
0840	15 88 62 872	2	2	.Washer	.Bricka		20)
0860	16 78 54 938	2	2	.Washer	.Bricka		21)
0880	16 83 04 891	2	2	.Washer	.Bricka		5 22)
0900	16 83 88 589	2	2	.Armature	.Rotor		5 21) IS DELETED
0920	17 78 54 905	1	1	.Armature	.Rotor		5 22)
0940	17 88 14 840	1	1	.Armature	.Rotor		5 21)
0960	17 83 22 281	1	1	.Armature	.Rotor		5 22)
0980	18 88 14 857	1	1	.Drive assy	.Startmotordrev kpl		5 20,21)
1000	18 83 32 934	1	1	.Drive assy	.Startmotordrev kpl		22)
1020	19 93 23 916	1	1	..Bearing bushing	..Lagerbussning		20,21)
1040	19 78 54 847	1	1	..Bearing bushing	..Lagerbussning		22)
1060	20 83 04 925	1	1	.Stop ring	.Anslagsring		6
1080	21 78 54 813	1	1	.Shim	.Utjämningbricka		5
1100	22 78 54 821	1	1	.Packing ring	.Packningsring		5 20,21)
1120	23 78 54 771	1	1	.Engaging lever	.Kopplingsarm		6 20,21)
1140	23 83 22 307	1	1	.Engaging lever	.Kopplingsarm		6 22)
1180	24 78 54 789	1	1	.Screw	.Skruv		5 20,21)
1180	24 83 04 941	1	1	.Screw	.Skruv		5 22)



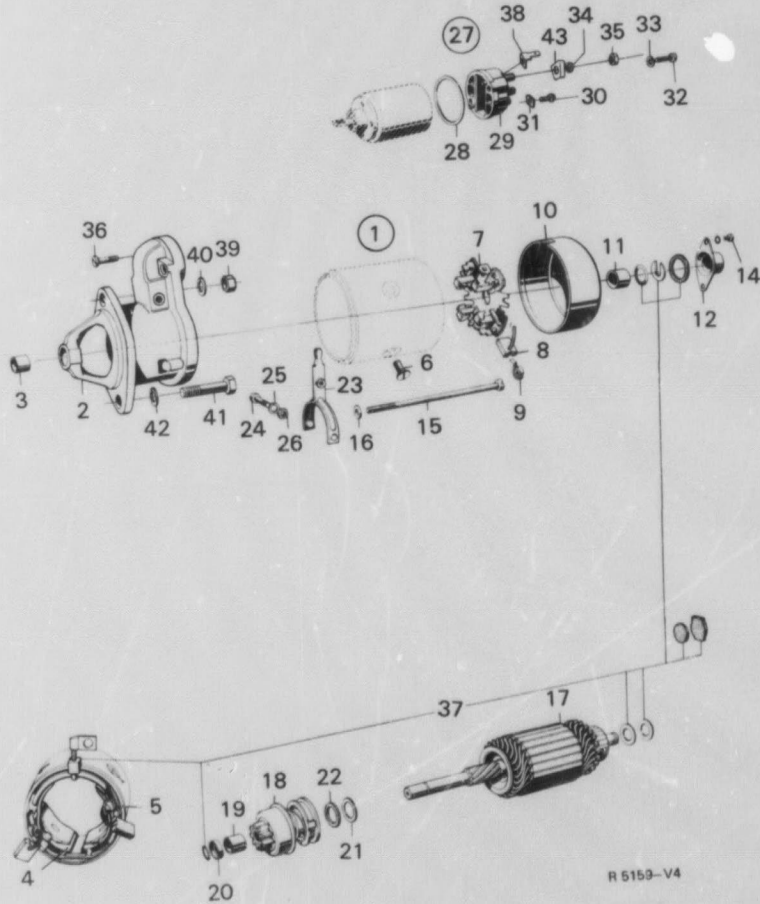
R 5159-V4

1. Ch. 96 520 001-- 95 085 001-
19. Ch. 96 507 018-- 95 062 059.
20. Part of 8801078.
21. Part of 8807596
22. Part of 8862245
23. Ch. - 96742015109. -95742006187. -96746005243. -95746000125.
24. Ch. - 96742015170. -95742006188. -96746005244. -95746000126.

0 General	1-A02
Complete	1-C02
1 Tools	1-F02
2 Engine	1-G02
3 Electrical System, Instruments	2-A02
4 Transmission	2-E02
5 Brakes	2-G02
6 Front assembly, Steering	2-I02
7 Suspension, Wheels	2-J02
8 Body	3-A02
9 Accessories	3-K02
10 Numerical Index	4-A02
<b>3 GROUP INDEX</b>	
Battery and battery cables	2-A06
Ignition system	2-A22
Lighting	2-B04
Electrical equipment, other	2-C04
Wiring and fuses	2-D06

0300

Starter		Startmotor			Date Datum	Illustration Bild nr	Group Grupp	Page Sida
					1982-04	R5159	3	19
Fig. Pos.	Part No Art nr	Quantity/Antal			Description	Benämning	K/S S/R /L	Notes Anmärkning
		95	96					
1200	25 79 69 975	1	1		..Lock washer .....	..Fjäderbricka .....		
1220	26 78 00 683	1	1		..Nut .....	..Mutter .....	5	
1240	27 78 54 946	1	1		..Starter solenoid .....	..Manövermagnet .....	3 20)	
1260	27 88 14 885	1	1		..Starter solenoid .....	..Manövermagnet .....	3 21)	
1280	27 88 62 880	1	1		..Starter solenoid .....	..Manövermagnet .....	6 22)	
1300	28 78 54 953	X	X		..Packing ring 0.5 mm .....	..Packning 0,5 mm .....	20 21)	
1360	29 88 14 873	1	1		..Switch cover .....	..Omkopplare .....	6 21)	
1380	30 83 04 875	2	2		..Screw .....	..Skruv .....	5 21)	
1420	32 78 54 987	2	2		..Screw .....	..Skruv .....	5 20 21)	
1440	33 78 48 500	2	2		..Lock washer .....	..Fjäderbricka .....		
1460	34 79 10 557	2	2		..Nut .....	..Mutter .....	5	
1480	35 78 14 619	2	2		..Lock washer .....	..Fjäderbricka .....		
1500	36 78 54 995	2	2		..Nut .....	..Mutter .....	5 20 21)	
1520	36 83 22 323	2	2		..Screw .....	..Skruv .....	5 22)	
1540	37 83 89 942	1	1		..Set, washers .....	..Bricksats .....	6 (78 55 000)	
1560	38 88 62 898	1	1		..Tunge for terminal .....	..Fiatstift .....	22) IS DELETED	
1580	39 79 14 716	1	1		Nut .....	Mutter .....	5	
1600	40 79 10 565	1	1		Lock washer .....	Fjäderbricka .....	5	
1620	41 79 03 339	1	1		Screw .....	Skruv .....	5	
1640	42 79 10 565	1	1		Lock washer .....	Fjäderbricka .....	5	
1660	43 85 06 602	1	1		Washer .....	Bricka .....	5 CH. 96.580.001 - 95.080.001-	



R 5159-V4

0 General	1-A02
Complete	1-C02
1 Tools	1-F02
2 Engine	1-G02
3 Electrical System, Instruments	2-A02
4 Transmission	2-E02
5 Brakes	2-G02
6 Front assembly, Steering	2-I02
7 Suspension, Wheels	2-J02
8 Body	3-A02
9 Accessories	3-K02
10 Numerical Index	4-A02

3 GROUP INDEX

Battery and battery cables	2-A06
Ignition system	2-A22
Lighting	2-B04
Electrical equipment, other	2-C04
Wiring and fuses	2-D06

0350

<b>Ignition system.</b> Ignition coil, ignition cables and spark plugs		<b>Tändsystem</b> Tändspole, tändkablar och tändstift		Date Datum	Illustration Bild nr	Group Grupp	Page Sida
				1982-04	R2670	3	21

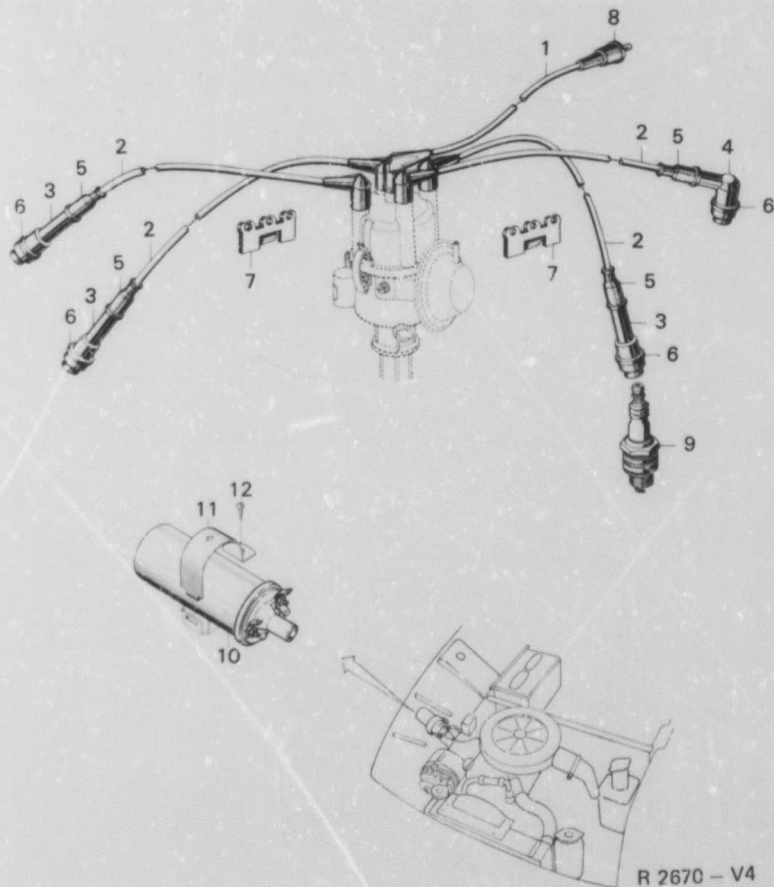


Fig. Pos.	Part No Art nr	Quantity/Antal		Description	Benämning	K/S	Notes Anmärkning
		96	95				
0020	1 88 11 705	1	1	Ignition cable, coil-distributor	Tändkabel, spole-fördela.e	S	32)
0040	1 88 11 721	1	1	Ignition cable, coil-distributor	Tändkabel, spole-fördelare		3)
0080	1 88 48 525	1	1	Ignition cable, coil-distributor	Tändkabel, spole-fördelare		3 25,33)
0120	1 93 37 411	1	1	Ignition cable, coil-distributor	Tändkabel, spole-fördelare		3 34) (88 61 163)
0140	2 93 37 395	1	1	Ignition cable, cyl.1	Tändkabel, cyl 1		3 27) (88 61 122)
032C	2 93 37 403	1	1	Ignition cable, cyl.2	Tändkabel, cyl. 2		3 27) (88 61 130)
0340	2 93 37 403	1	1	Ignition cable, cyl.3	Tändkabel, cyl 3		3 27) (88 61 148)
0380	2 93 37 403	1	1	Ignition cable, cyl.4	Tändkabel, cyl 4		3 27) (88 61 155)
0380	3 88 11 614	3	3	Spark plug connection	Tändstiftsanslutning		3 30)
0400	4 88 11 630	1	1	Spark plug connection	Tändstiftsanslutning		3 32)
0420	5 88 11 911	4	4	Rubber sleeve	Gummimuff		4 27,30)
0440	6 88 12 075	4	4	Seal ring, spark plug	Skyddsring, tändstift		4 30)
0460	7 88 12 224	2	2	Ignition cable retainer	Tändkabelhållare		2)
0480	8 71 89 657	1	1	Rubber sleeve	Gummimuff		4 27)
0500	9 78 63 616	4	4	Spark plug	Tändstift		28) AUTO-LITE AE 22 40/230 120 008
0540	9 88 12 810	4	4	Spark plug	Tändstift	S	29,33) AUTO-LITE AG 22 40/230 121 006
0560	9 88 61 189	4	4	Spark plug	Tändstift	S	34) MOTORCRAFT AGR 22 40/230 155 004
0580	9 88 61 171	4	4	Spark plug	Tändstift		25,33) AUTO-LITE AG 32 A. 40/230 122 004
0600	9 88 14 386	4	4	Spark plug	Tändstift		25,34) MOTORCRAFT AGR 32 40/230 156 002
0620	9 78 63 624	4	4	Spark plug	Tändstift		28) BOSCH W 225 T 35 40/234 153 005
0700	9 88 14 386	4	4	Spark plug	Tändstift		29) BOSCH W 200 T 30 40/234 133 007
0720	9 78 63 632	4	4	Spark plug	Tändstift		28) CHAMPION L 82 Y 40/232 178 004
0740	9 88 14 345	4	4	Spark plug	Tändstift		29) CHAMPION N 9 Y 40/232 134 007
0760	9 88 12 703	4	4	Spark plug	Tändstift		23) NGK B-7H 40/236 120 002
0780	9 88 12 703	4	4	Spark plug	Tändstift		29) NGK BP-8ES 40/236 160 008
0800	9 53 50 076	4	4	Spark plug	Tändstift		
0820	10 85 22 328	1	1	Ignition coil	Tändspole		4)
0840	11 73 08 596	1	1	Clamp	Överfall		5 6)
0860	11 73 08 596	1	1	Clamp	Överfall		5 7)
1000	11 85 22 369	1	1	Clamp	Överfall		5 7)
1020	12 3 22 435	1	1	Screw	Skruv		5)
1040	12 33 37 429	X	X	Set, ignition cable	Sats, tändkablar		7) (88 15 896)

0 General	1-A02
Complete	1-C02
1 Tools	1-F02
2 Engine	1-G02
3 Electrical System, Instruments	2-A02
4 Transmission	2-E02
5 Brakes	2-G02
6 Front assembly, Steering	2-I02
7 Suspension, Wheels	2-J02
8 Body	3-A02
9 Accessories	3-K02
10 Numerical Index	4-A02

3 GROUP INDEX

Battery and battery cables	2-A06
Ignition system	2-A22
Lighting	2-B04
Electrical equipment, other	2-C04
Wiring and fuses	2-D06

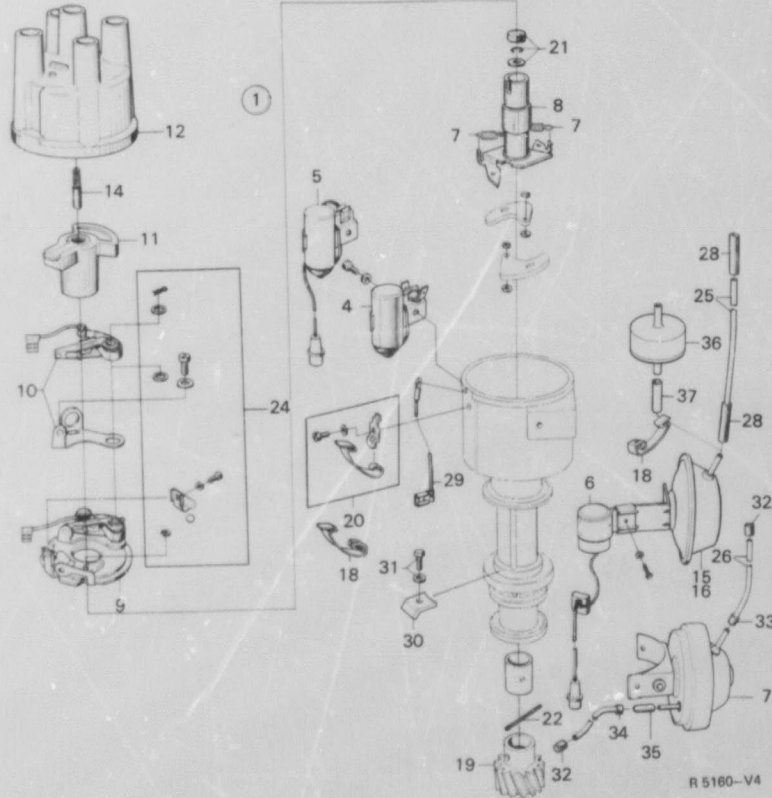
3. Ch. 96 560 001 - 95 080 001 -  
 6. Ch. -96742017275 - 96748005605 - 95742006620 - 95746000165  
 7. Ch. 95752000001 - 96756000001 - 95752000001 - 95756000001 -  
 25. Engine 1, 7l US  
 27. Ch. 434 174 - 96 46 138 - 95  
 28. Ch. -487 638 96 - 55 766 - 95, not USA - 482 197 96 - 54 854 95 USA  
 29. Ch. 487 639 - 96 55 767 - 95, not USA - 482 198 - 96 54 855 - 95USA  
 30. Ch. -96 543 785 - 95 072 020  
 32. Ch. -96 581 640 - 95 085 302  
 33. Up to approx. Ch. -96722017000 - 95722006000  
 34. As from approx. Ch. 96722017001 - 95722006001 -

0400

Ignition system Distributor		Tändsystem Tändfördelare		Date Datum	Illustration Bild nr	Group Grupp	Page Sida
				1982-04	R5160	3	23
Fig. Pos.	Part No Art nr	Quantity/Åntal		Description	Benämning	K S R	Notes Anmärkning
		96	95				
0020	88 11 945	1	1	Distributor assy	Tändfördelare kpl	5	35,26) BOSCH 0 231 146 044
0040	78 63 582	1	1	Distributor assy	Tändfördelare kpl	5	26) BOSCH 0 231 146 033
0060	88 11 945	1	1	Distributor assy	Tändfördelare kpl	5	35,27,36) (78 66 378) BOSCH 0 231 146 024
0100	88 11 945	1	1	Distributor assy	Tändfördelare kpl	5	35,37,38) (78 67 179) BOSCH 0 231 146 072
0120	88 11 945	1	1	Distributor assy	Tändfördelare kpl	5	38,18) BOSCH 0 231 146 073
0180	88 07 687	1	1	Distributor assy	Tändfördelare kpl	5	1,33) BOSCH 0 231 146 084. ALT TO 0 231 146 092
0220	88 38 872	1	1	Distributor assy	Tändfördelare kpl	5	34,8) BOSCH 0 231 170 183 (88 61 197, BOSCH 0 231 170 031)
0360	88 38 872	1	1	Distributor assy	Tändfördelare kpl	5	9) BOSCH 0 231 170 183
0400	88 48 475	1	1	Distributor assy	Tändfördelare kpl	5	25,33) BOSCH 0 231 137 039
0420	88 61 205	1	1	Distributor assy	Tändfördelare kpl	2	25,34) BOSCH 0 231 170 010, SUPERSEDED BY 88 38 872
0440	88 61 205	1	1	Distributor assy	Tändfördelare kpl	2	40) SUPERSEDED BY 8830872
0520	78 63 178	1	1	Capacitor	Kondensator	2	PART OF 78 63 152, 78 63 582, 78 66 378
0540	78 66 924	1	1	Capacitor with cable, flat peg	Kondensator med kabel, flatstift	2	36) PART OF 78 66 378
0580	88 11 952	1	1	Capacitor with cable, round peg	Kondensator med kabel, rundstift	37,38)	PART OF 78 67 179
0590	88 11 952	1	1	Capacitor with cable, round peg	Kondensator med kabel, rundstift	2, 2,39)	PART OF 78 67 179, 88 11 945, 88 07 687
0620	88 15 409	1	1	Capacitor with cable, flat peg	Kondensator med kabel, flatstift	2, 3,33)	PART OF 88 07 687
0660	88 49 283	1	1	Capacitor with cable, flat peg	Kondensator med kabel, flatstift	2, 25,33)	
0700	88 61 742	1	1	Capacitor with cable, flat peg	Kondensator med kabel, flatstift	2, 34)	PART OF 88 61 197, 88 61 205
0720	78 66 668	1	1	Spring	Regulatorfjäder	5	39) PART OF 78 66 378, 78 67 179
0870	78 63 202	1	1	Contact-breaker cam	Brytarkam	6	PART OF 78 63 152, 78 63 582
0880	78 66 676	1	1	Contact-breaker cam	Brytarkam	6	38) PART OF 78 66 378, 78 67 179
0920	78 63 210	1	1	Contact-breaker plate	Brytarplatta	6	PART OF 78 63 152, 78 63 582

R 5160-V4

1. Ch. 96 520 001 - 95 085 001 -
2. Ch. 96 552 859 - 95 074 986
3. Ch. 96 560 001 - 95 080 001 -
4. Ch. 96 752 015 165 - 96 756 007 419 - 95 752 002 048 - 95 753 003 018 - 95 756 000 281
5. Ch. 96 752 000 001 - 96 752 000 001 - 96 766 000 001 - 95 753 050 001 - 95 763 000 001 - 95 766 000 001 -
6. Ch. 96 773 004 483 - 95 773 001 663
7. Engine 1, 71 US
8. Ch. 424 173 96 - 46 137 95
9. Ch. 434 174 - 96 46 138 - 95
10. Up to approx. Ch. 96 722 017 000 - 95 722 000 000
11. As from approx. Ch. 96 722 017 001 - 95 722 000 001 -
12. Superseded by 88 11 945
13. Ch. 444 941 96 - 47 503 95
14. Ch. 444 942 - 96 47 504 - 95
15. Ch. 453 129 96 - 48 092 9C
16. Ch. 453 130 - 96 48 093 - 95
17. Ch. 96 762 001 040 - 96 763 001 235 - 95 763 000 975 - Sw



0 General	1-A02
Complete	1-C02
1 Tools	1-F02
2 Engine	1-G02
3 Electrical System, Instruments	2-A02
4 Transmission	2-E02
5 Brakes	2-G02
6 Front assembly, Steering	2-I02
7 Suspension, Wheels	2-J02
8 Body	3-A02
9 Accessories	3-K02
10 Numerical Index	4-A02

3 GROUP INDEX

Battery and battery cables	2-A06
Ignition system	2-A22
Lighting	2-B04
Electrical equipment, other	2-C04
Wiring and fuses	2-D06

SAAB  
genuine parts  
original reservdelar

2-B02

SAAB V4  
M67-80

MASTER INDEX

0400

ignition system  
Distributör

Tändsystem  
Tändfördelare

Date  
Datum 1982-04

Illustration  
Bild nr R5160

Group  
Grupp 3

Page  
Sida 25

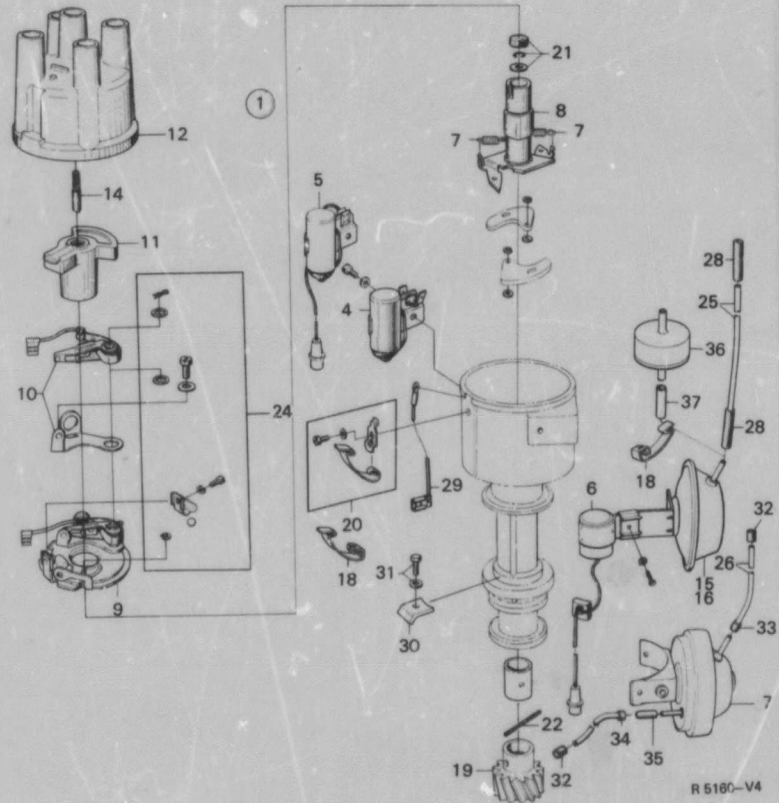


Fig. Pos.	Part No. Art nr	Quantity/Antal		Description	Benämning	K/S	Notes Anmärkning
		96	95				
0980	9	78 66 850	1	1	..Contact-breaker plate	..Brytarplatta	5 38) PART OF 78 66 379, 78 67 179.
1000	10	78 63 228	1	1	..Contact set	..Kontaktsats	1 PART OF 78 63 152, 78 63 582
1040							
1060	10	78 66 353	1	1	..Contact set	..Kontaktsats	S 1 PART OF 78 66 379, 78 67 179, 88 11 945, 88 07 687, 88 61 197, 88 48 475, 88 61 205, 88 38 872.
1080							
1100							
1120							
1140							
1180	11	78 63 236	1	1	..Distributor arm	..Fördelarm	3 33)
1180	11	83 55 950	1	1	..Distributor arm	..Fördelarm	34) PART OF 88 61 197.
1200	11	88 61 775	1	1	..Distributor arm	..Fördelarm	3 34) PART OF 88 61 205.
1230	11	93 06 697	1	1	..Distributor arm	..Fördelarm	PART OF 88 38 872
1240	12	78 66 932	1	1	..Distributor cap	..Fördelarlock	2 38) PART OF 78 63 582, 78 66 379, 78 63 152, 78 67 179.
1260							
1280							
1300	12	83 55 935	1	1	..Distributor cap	..Fördelarlock	2 PART OF 88 11 945, 88 07 687, 88 48 475, 88 61 197, 88 61 205, 88 38 872.
1320							
1340							
1360	14	78 08 959	1	1	..Carbon	..Borste	5
1400	15	78 63 251	1	1	..Vacuum regulator	..Vakuumregulator	4 38)
1420	16	88 11 578	1	1	..Vacuum regulator	..Vakuumregulator	4 38,41) PART OF 88 11 945
1440	16	88 14 428	1	1	..Vacuum regulator	..Vakuumregulator	4
1466	16	88 61 721	1	1	..Vacuum regulator	..Vakuumregulator	4 34,8) PART OF 88 61 197.
1480	17	88 49 291	1	1	..Vacuum regulator	..Vakuumregulator	0 33)
1500	17	88 61 809	1	1	..Vacuum regulator	..Vakuumregulator	4 34) PART OF 88 61 205.
1520	18	88 14 436	2	2	..Retainer spring	..Hållfjäder	5 1,33)
1540	19	88 14 709	1	1	..Gear with cotter pin	..Drev med spänstift	6 38)
1560	20	78 47 940	1	1	Mounting link	..Fästlänk	6 38)
1580	21	78 47 924	1	1	Repair kit	..Reparationssats	5
1600	22	79 18 451	1	1	Cotter pin	..Spänstift	5
1680	24	78 47 965	1	1	Repair kit	..Reparationssats	5 38)
1700	24	88 14 444	1	1	Repair kit, breaker plate	..Reparationssats, brytarplatta	5
1720							1)
1740	25	88 12 802	1	1	Vacuum hose	..Vakuumslang	5
1760	26	88 49 051	1	1	Vacuum hose	..Vakuumslang	5 25)
1800	28	88 12 182	2	2	Connection hose	..Skarvslang	5 Ch. 475 00,96 - 53 000,95
1820	29	88 01 862	1	1	Cable, distributor-ignition coil	..Kabel, tändfördelare-tändspole	0 Ch. 444 877,96 - 47 496,96
1840							96
1860	30	88 11 507	1	1	Clamp, distributor	..Fästklamma, fördelare	5
1880	31	88 10 475	1	1	Screw with lock washer	..Skruv med fjäderbricka	5
1900							
1920	32	88 49 077	2	2	Connection	..Anslutning	5 25)
1940	33	88 49 085	1	1	Connection	..Anslutning	5 25)
1960	34	88 49 083	1	1	Connection	..Anslutning	5 25)
1980	35	83 80 463	1	1	Plug	..Plugg	5 40) PART OF 88 61 205
2000							
2020	30	83 23 362	1	1	Part kit	..Detaljsats	5 34) PART OF 88 61 197, 88 61 205.
2040	30	83 23 362	1	1	Delay valve	..Fördrojningsventil	2 40)
2060	37	83 27 868	1	1	Extension hose	..Skarvslang	5 40)

0 General	1-A02
Complete	1-C02
1 Tools	1-F02
2 Engine	1-G02
3 Electrical System, Instruments	2-A02
4 Transmission	2-E02
5 Brakes	2-G02
6 Front assembly, Steering	2-I02
7 Suspension, Wheels	2-J02
8 Body	3-A02
9 Accessories	3-K02
10 Numerical Index	4-A02
3 GROUP INDEX	
Battery and battery cables	2-A06
Ignition system	2-A22
Lighting	2-B04
Electrical equipment, other	2-C04
Wiring and fuses	2-D06

1. Ch. 96.520.001- 95.085.001-  
 8. Ch. -96752015165 - 96756007419 - 96752002048 - 96753003018 - 96756000281  
 25. Engine 1,7l US  
 33. Up to approx. Ch. -96722017006 - 95722006000  
 34. As from approx. Ch. 96722017001 - 957220060001-  
 Ch. -453 129,96 - 48 092,95  
 38. Ch. 453 130 - 96, 48 093 - 95  
 40. Ch 96762001040 - 96763001235 - 96763000875 - Sw  
 41. Ch. -507.018,96 - 62.059,95 95722006001

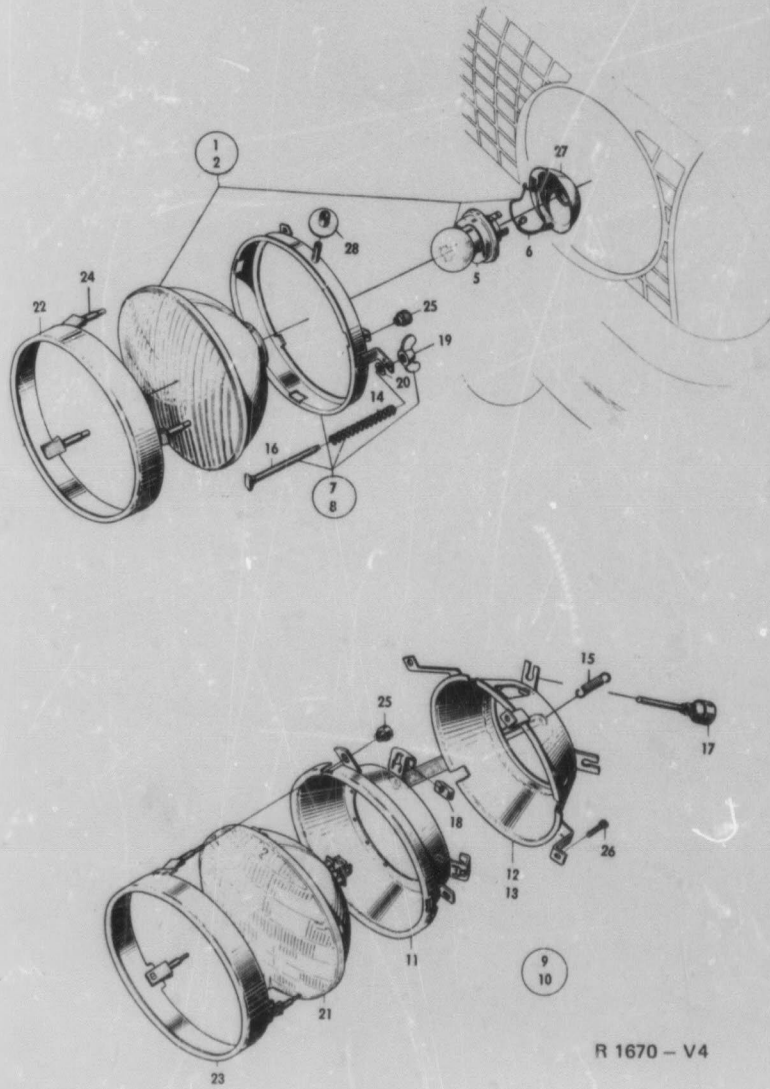
**SAB**  
 genuine parts  
 original reserved

# 2-B04

SAAB V4  
 M67-80

MASTER INDEX

- 0 General 1-A02
  - Complete 1-C02
  - 1 Tools 1-F02
  - 2 Engine 1-G02
  - 3 Electrical System, Instruments 2-A02
  - 4 Transmission 2-E02
  - 5 Brakes 2-G02
  - 6 Front assembly, Steering 2-I02
  - 7 Suspension, Wheels 2-J02
  - 8 Body 3-A02
  - 9 Accessories 3-K02
  - 10 Numerical Index 4-A02
- 3 GROUP INDEX**
- Battery and battery cables 2-A06
  - Ignition system 2-A22
  - Lighting 2-B04
  - Electrical equipment, other 2-C04
  - Wiring and fuses 2-D06



0450	<b>Lighting</b> Headlights, model 1967 and 1968	<b>Belysning</b> Strålkastare, modell 1967 och 1968	Date Datum	Illustration Bild nr	Group Grupp	Page Sida
			1982-04	R1670	3	27

Fig. Pos.	Part No Art nr	Quantity/Antal		Description	Benämning	K/S S/R L	Notes Anmärkning
		96	05				
0020	1	73 08 455	2	2	Headlight insert, L.H. -traffic		
0040	2	73 08 463	2	2	Headlight insert, R.H. -traffic	S	
0060	2	88 16 969	2	2	Headlight insert, R.H. -traffic		1 HALOGEN
0100	5	71 08 723	2	2	Bulb	S	40/238 228 009
0160	5	85 10 851	2	2	Bulb H4		40/238 210 008
0180	6	71 08 715	2	2	Retaining spring		0 IS DELETED
0200	7	73 08 471	1	1	Adjustment ring assy. L.H.		0 IS DELETED
0220	8	73 08 489	1	1	Adjustment ring assy. R.H.		5
0240	9	73 09 511	1	1	Adjustment ring assy. L.H.		IS DELETED
0260	10	73 09 529	1	1	Adjustment ring assy. R.H.		0 IS DELETED
0300	11	73 09 537	2	2	Adjustment ring		0 IS DELETED
0380	12	73 09 562	1	1	Ring, L.H.		US
0400	13	73 09 560	1	1	Ring, R.H.		US
0420	14	73 03 498	4	4	Spring		5
0440	15	73 09 545	2	2	Spring		2 US
0460	16	73 03 506	4	4	Screw		2
0480	17	73 09 578	4	4	Adjustment screw		2 US
0500	18	73 09 596	4	4	Nut		5 US
0520	19	73 28 069	4	4	Wing nut		5
0540	20	80 29 944	4	4	Washer		5
0560	21	71 29 109	2	2	Insert		1 US
0580	22	73 03 142	2	2	Glass retainer ring assy.		4
0600	23	73 09 610	2	2	Glass retainer ring assy.		4 US
0640	24	78 67 864	6	6	Screw		2
0680	25	72 46 630	6	6	Nut		3
0700	26	79 46 742	8	8	Screw		1 IS
0720	27	71 57 225	2	2	Rubber seal		4
0740	27	88 16 977	2	2	Rubber seal		2 PART OF 88 16 969
0760	28	73 03 415	2	2	Bushing		3
0780		88 15 573	X	X	Headlight insert		40/238 229 009

**SAAB**  
 genuine parts  
 original reservdelar

## 2-B06

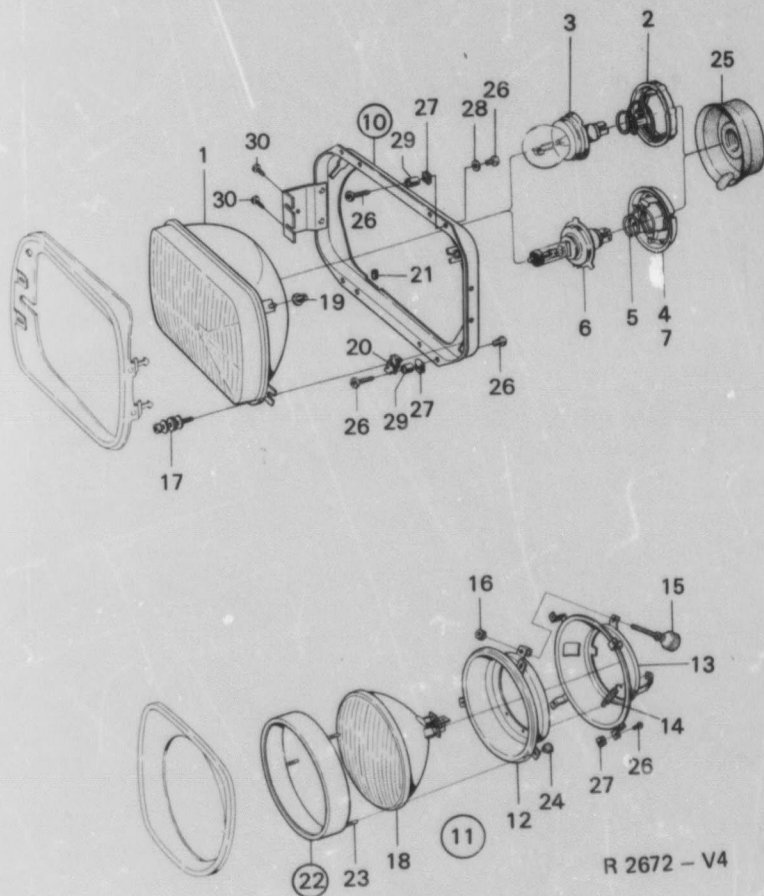
SAAB V4  
 M67-80

### MASTER INDEX

0 General	1-A02
Complete	1-C02
1 Tools	1-F02
2 Engine	1-G02
3 Electrical System, Instruments	2-A02
4 Transmission	2-E02
5 Brakes	2-G02
6 Front assembly, Steering	2-I02
7 Suspension, Wheels	2-J02
8 Body	3-A02
9 Accessories	3-K02
10 Numerical Index	4-A02

### 3 GROUP INDEX

Battery and battery cables	2-A06
Ignition system	2-A22
Lighting	2-B04
Electrical equipment, other	2-C04
Wiring and fuses	2-D06



R 2672 - V4

Fig. Pos.	Part No Art nr	Quantity/Antal		Description	Benämning	K/S S/R /L	Notes Anmärkning
		96	95				
0020	1 73 34 105	2	2	Headlight insert, L.H. -traffic	Strålkastarinsats, V-trafik		HELLA, IS DELETED
0040	1 85 10 943	2	2	Headlight insert, R.H. -traffic	Strålkastarinsats, H-trafik	1	46,23)
0060	1 73 43 528	2	2	Headlight insert, R.H. -traffic	Strålkastarinsats, H-trafik	S1	46,23) ROBO ALT. TO 73 42 969
0100	1 85 63 991	2	2	Headlight insert, L.H. -traffic	Strålkastarinsats, V-trafik		44,8) GB H4 INSERT
0140	1 85 29 158	2	2	Headlight insert, R.H. -traffic	Strålkastarinsats, H-trafik		44,45,8) H4 INSERT.
0160	1 85 18 425	2	2	Headlight insert, H. -traffic	Strålkastarinsats, H-trafik		45, 47, 8) BOSCH
0180	1 85 18 425	2	2	Headlight insert, R.H. -traffic	Strålkastarinsats, H-trafik		48) BOSCH EU
0200	1 85 29 158	2	2	Headlight insert, R.H. -traffic	Strålkastarinsats, H-trafik	1	9,132)
0220	1 85 60 328	2	2	Headlight insert, R.H. -traffic	Strålkastarinsats, H-trafik	1	133)
0240	1 85 63 991	2	2	Headlight insert, L.H. -traffic	Strålkastarinsats, V-trafik		9)
0260	2 73 43 001	2	2	Bulb retainer with spring	Lampållare med fjäder	3	46)
0280	3 71 08 723	2	2	Bulb	Glödlampa	S	46) 40/238 229 009
0300	4 85 10 836	2	2	Bayonet ring	Bajonettring	3	44,45,132) H4 INSERT
0320	4 85 60 375	2	2	Bayonet ring	Bajonettring	4	133)
0340	5 85 10 86*	2	2	Spring	Fjäder	5	44,45,132) H4 INSERT
0360	6 85 10 86*	2	2	Bulb H4	Glödlampa H4	5	44,45) H4 INSERT. 40/238 210 009
0380	7 85 18 441	2	2	Bayonet ring with spring	Bajonettring med fjäder	3	46,47) BOSCH
0400	7 85 18 441	2	2	Bayonet ring with spring	Bajonettring med fjäder	3	48) BOSCH.
0420	10 73 43 528	1	1	Bracket plate L.H.	Fästplatta V.	3	4) ROBO
0440	10 73 43 509	1	1	Bracket plate R.H.	Fästplatta H.	3	4) ROBO
0460	10 81 50 299	1	1	Bracket plate L.H.	Fästplatta V.	3	5,46) HELLA.
0480	10 81 50 307	1	1	Bracket plate R.H.	Fästplatta H.	3	5,46) HELLA.
0500	10 81 50 331	1	1	Bracket plate L.H.	Fästplatta V.	3	5,46,23) ROBO,ALT. TO 88 50 299.
0520	10 88 51 349	1	1	Bracket plate R.H.	Fästplatta H.	3	5,46,23) ROBO ALT. TO 88 50 299
0540	10 88 54 598	1	1	Bracket plate L.H.	Fästplatta V.	3	45,47) BOSCH
0560	10 88 54 06	1	1	Bracket plate R.H.	Fästplatta H.	3	45,47) BOSCH
0580	10 88 54 138	1	1	Bracket plate L.H.	Fästplatta V.	3	48) BOSCH
0600	10 88 54 636	1	1	Bracket plate R.H.	Fästplatta H.	3	48) BOSCH
0620	11 73 42 934	1	1	Adjustment ring assy L.H.	Inställningsring kpl V	5	US
0640	11 73 42 942	1	1	Adjustment ring assy R.H.	Inställningsring kpl H	5	US
0660	12 73 09 637	2	2	Adjustment ring	Ställring	0	US, IS DELETED
0680	13 73 43 353	1	1	Ring L.H.	Kulring V	3	US
0700	13 73 43 361	1	1	Ring R.H.	Kulring H	3	US

4. Ch.-96 592 844 - 00001540 - 95 068 371 - 50600838  
 5. Ch. 96 600 001 - 81800001 - 95 095 001 - 51600001  
 6. Ch.-96732015186 - 96758007419 - 95752002048 - 95753003018 - 95756000281  
 7. Ch. 96752090001 - 96762000001 - 96766000001 - 95753080001 - 95763000001 - 95768000001-  
 8. Ch.- 96742015189 - 95742006187 - 96748005243 - 95746000125.  
 9. Ch. 96732000001 - 96738000001 - 95732000001 - 96738000001-  
 44. Ch. 96732000001 - 96738000001 - 95732000001 - 96738000001-  
 45. Sw and special markets.  
 46. As from model 1973, only export to Eu except LH- traffic markets.  
 47. Ch. 96752004429 - 95752001518-  
 48. Ch. 96762000001-  
 132. Ch -96796006766  
 133. Ch 96796006767-

**SAAB**  
genuine parts  
original reservdelar

# 2-B08

SAAB V4  
M67-80

## MASTER INDEX

- 0 General 1-A02
- Complete 1-C02
- 1 Tools 1-F02
- 2 Engine 1-G02
- 3 Electrical System, Instruments 2-A02
- 4 Transmission 2-E02
- 5 Brakes 2-G02
- 6 Front assembly, Steering 2-I02
- 7 Suspension, Wheels 2-J02
- 8 Body 3-A02
- 9 Accessories 3-K02
- 10 Numerical Index 4-A02

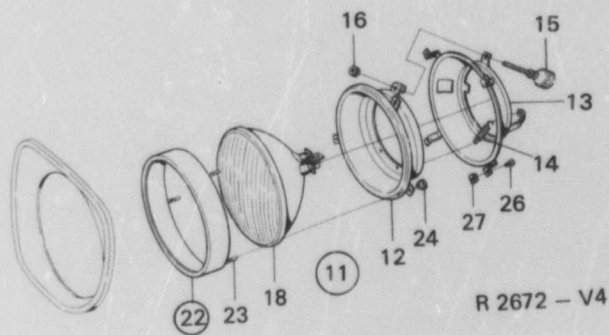
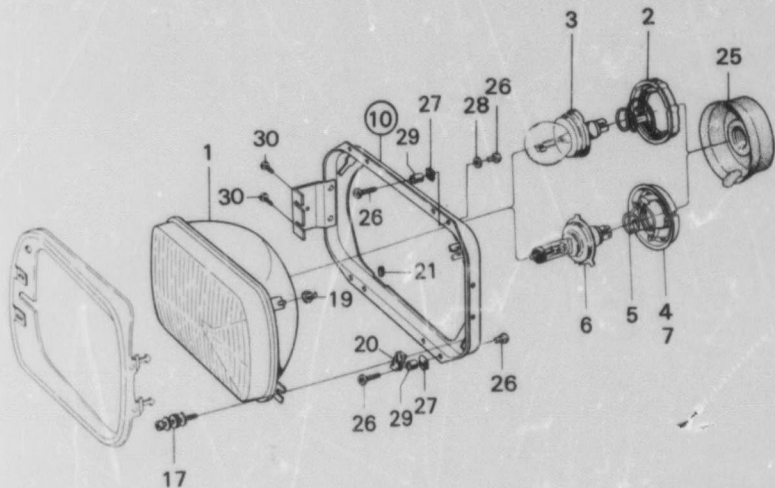
## 3 GROUP INDEX

- Battery and battery cables 2-A06
- Ignition system 2-A22
- Lighting 2-B04
- Electrical equipment, other 2-C04
- Wiring and fuses 2-D06

0500

<b>Lighting</b> Headlights, as from 1969	<b>Belysning</b> Strålkastare, fr.o.m. modell 1969	Date Datum 1962-04	Illustration Bild nr R2672	Group Grupp 3	Page Sida 31
---	--	--------------------------	----------------------------------	---------------------	--------------------

Fig. Pos.	Part No Art nr	Quantity/Antal		Description	Benämning	K/S S/R /L	Notes Anmärkning
		96	95				
1020	14	73 09 545	2	2	.Spring	.Fjäder	5 US
1040	15	73 09 578	4	4	.Adjustment screw	.Justerskruv	2 US
1060	16	73 09 586	4	4	.Nut	.Mutter	5 US
1080	17	85 10 919	4	4	Adjustment screw	Inställningskruv	2
1100	18	71 29 109	2	2	Head lamp insert	Lampinsats	1 US
1120	19	73 34 097	2	2	Bushing	Bussning	3 (32)
1130	19	85 41 450	2	2	Bushing	Bussning	3 (33)
1140	20	73 34 063	4	4	Bushing	Bussning	3
1160	21	73 34 253	4	4	Bushing	Bussning	3
1180	22	73 09 610	2	2	Glass retainer ring	Glashållarring kpl	4 US
1200					assy		
1220	23	78 07 864	6	6	.Screw	.Plastskruv	2 US
1240	24	77 46 630	6	6	.Nut	.Mutter	3 US
1300	25	85 18 433	2	2	Rubber seal	Gummitätning	4 (132) BOSCH
1310	25	85 60 336	2	2	Rubber seal	Gummitätning	4 (133)
1320	26	79 22 263	8	8	Screw	Skruv	5
1340	26	79 22 297	8	8	Screw	Skruv	5 (5) FOR HEADLIGHT WIPER
1360	27	79 33 674	8	8	Nut-clip	Mutterclip	3 (4)
1380	27	82 50 414	8	8	Nut-clip	Mutterclip	3 (5)
1400	28	82 29 944	4	4	Washer	Bricka	5 (4) NOT US
1420	29	68 50 380	8	8	Distance tube	Distansrör	3 (5) FOR HEADLIGHT WIPER
1440	30	79 22 727	4	4	Screw	Skruv	5 (5)
1460		88 15 599	X	X	Headlight insert	Strålkastarinsats	1 (42)



4. Ch.-96.592.844.-80901540.-95.088.371.-50600838.  
5. Ch. 96.600.001.-61600001.-95.095.001.-51600001.  
42. Ch.-96722000369.-95722000099.-96726000129.-95726000006.  
132. Ch.-96798006786  
133. Ch.96798006767-



0650

Lighting  
Direction indicator/  
parking lamp-1977

Belysning  
Blink/parkerlykta  
-1977

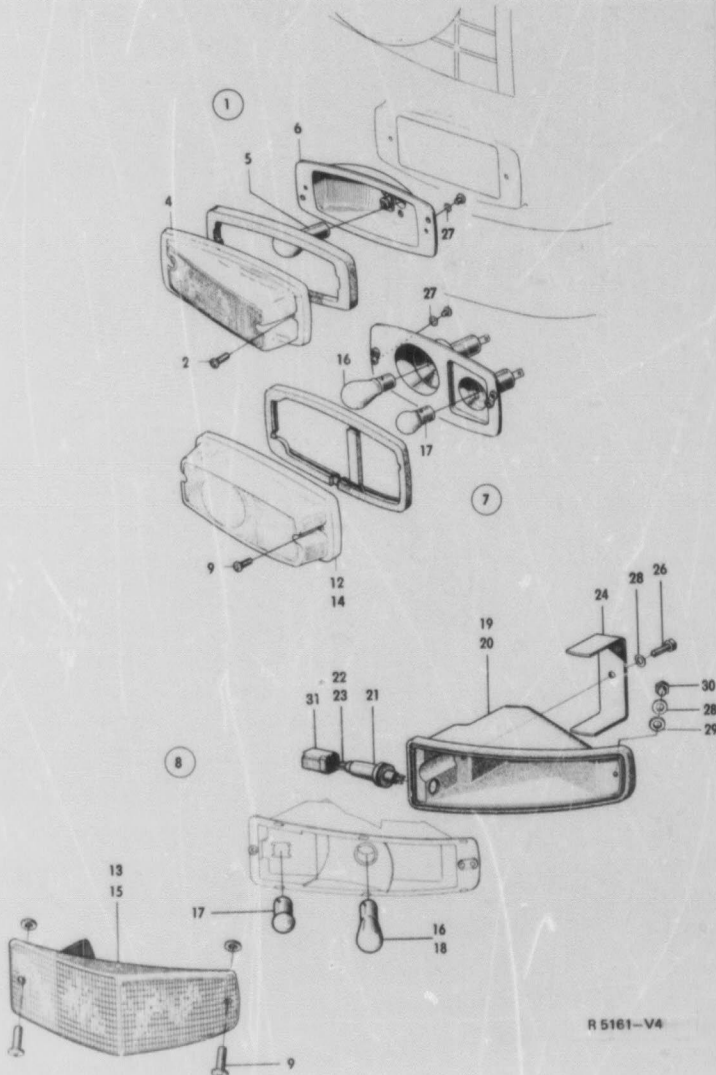
Date Datum 1982-04  
Illustration Bild nr R5161  
Group Grupp 3  
Page Sida 33

Fig. Pos.	Part No Art nr	Quantity/Antal		Description	Benämning	K.S. S/R / L	Notes Anmärkning
		96	95				
0020	1 73 03 431	1	1	Direct indic./parking lamp assy. L.H.	Blink/parkerlykta kpl V	2	19) SW SF NO
0040	1 73 09 842	1	1	Direct indic./parking lamp assy. R.H.	Blink/parkerlykta kpl H	2	19) SW SF NO
0060	2 73 08 497	4	4	.Screw	.Skruv	S 5	19) SW SF NO
0100	4 73 03 456	2	2	.Glass	.Glas	S 1	19) SW SF NO
0220	5 70 96 837	2	2	.Bulb	.Glödlampa		40/238 282 007
0240	6 73 03 448	2	2	.Lamp housing	.Lamphus	6	19) SW SF NO
0260	7 73 06 016	1	1	Direct indic./parking lamp assy. L.H.	Blink/parkerlykta kpl V	2	19) LUCAS, EXPORT AND RHD EXCEPT SF NO
0320	8 73 42 710	1	1	Direct indic./parking lamp assy. L.H.	Blink/parkerlykta kpl V	2	1) US
0360	7 73 42 470	1	1	Direct indic./parking lamp assy. L.H.	Blink/parkerlykta kpl V	48, 19)	US LUCAS
0400	8 88 35 332	1	1	Direct indic./parking lamp assy. L.H.	Blink/parkerlykta kpl V	2	1) US
0420	7 73 26 406	1	1	Direct indic./parking lamp assy. R.H.	Blink/parkerlykta kpl H	2	48, 19) LUCAS, EXPORT AND RHD EXCEPT SF NO
0440	8 73 42 728	1	1	Direct indic./parking lamp assy. R.H.	Blink/parkerlykta kpl H	2	1) US
0480	7 73 42 488	1	1	Direct indic./parking lamp assy. R.H.	Blink/parkerlykta kpl H	48, 19)	US LUCAS
0500	8 88 35 340	1	1	Direct indic./parking lamp assy. R.H.	Blink/parkerlykta kpl H	2	1) US
0520	9 73 08 467	4	4	.Screw	.Skruv	S 5	1) US
0540	12 73 08 198	2	2	.Glass	.Glas	1	19) LUCAS
0740	13 73 42 736	2	2	.Glass	.Glas	0	48, 19) US LUCAS, IS DELETE
0760	14 73 42 462	2	2	.Glass	.Glas	1	CH. 96 520 071-552 859.
0780	15 73 42 793	2	2	.Glass	.Glas	96 065 001-074 986 US	
0800	15 88 35 357	2	2	.Glass	.Glas	1	3) US
0820	16 71 54 719	2	2	.Bulb, direct indic light	.Glödlampa, blinkljus		40/238 290 001
0840	16 71 54 719	2	2	.Bulb, parking light	.Glödlampa, parkerljus		40/238 254 007
0860	17 71 54 727	2	2	.Bulb	.Glödlampa	3)	US 40/238 282 007
0880	18 70 96 837	2	2	.Sealing cover L.H.	.Tätningsskåpa V	5	3)
0900	19 73 42 751	1	1	.Sealing cover R.H.	.Tätningsskåpa H	5	3)
0920	20 73 42 789	1	1	.Protective hose	.Skyddsiang	6	1)
0940	21 73 43 189	2	2	.Cable L.H.	.Kabel V	6	1)
0960	22 73 43 130	1	1	.Cable R.H.	.Kabel H	6	1)
1000	23 73 43 148	1	1	.Clamp	.Bygel	6	1)
1020	24 73 43 064	2	2	.Screw	.Skruv	5	1)
1060	26 79 03 006	3	3	.Washer	.Bricka	5	19)
1080	27 75 15 549	4	4	.Washer	.Bricka	5	1)
1100	28 75 15 671	4	4	.Washer	.Bricka	5	
1120	29 80 29 989	4	4	.Screw, R-side	.Skruv H-sida	5	1)
1140	30 73 42 702	1	1	Terminal housing, 3-pole	.Skarvhus, 3-pol	4	1)
1160	31 73 42 892	2	2	Kit, glass direct indic./parking, lamp, front	Blink/sats, blinkerglas fram	1	19)
1180							
1200	88 15 094	X	X				
1220							
1240							

0 General 1-A02  
Complete 1-C02  
1 Tools 1-F02  
2 Engine 1-G02  
3 Electrical System, Instruments 2-A02  
4 Transmission 2-E02  
5 Brakes 2-G02  
6 Front assembly, Steering 2-I02  
7 Suspension, Wheels 2-J02  
8 Body 3-A02  
9 Accessories 3-K02  
10 Numerical Index 4-A02

3 GROUP INDEX

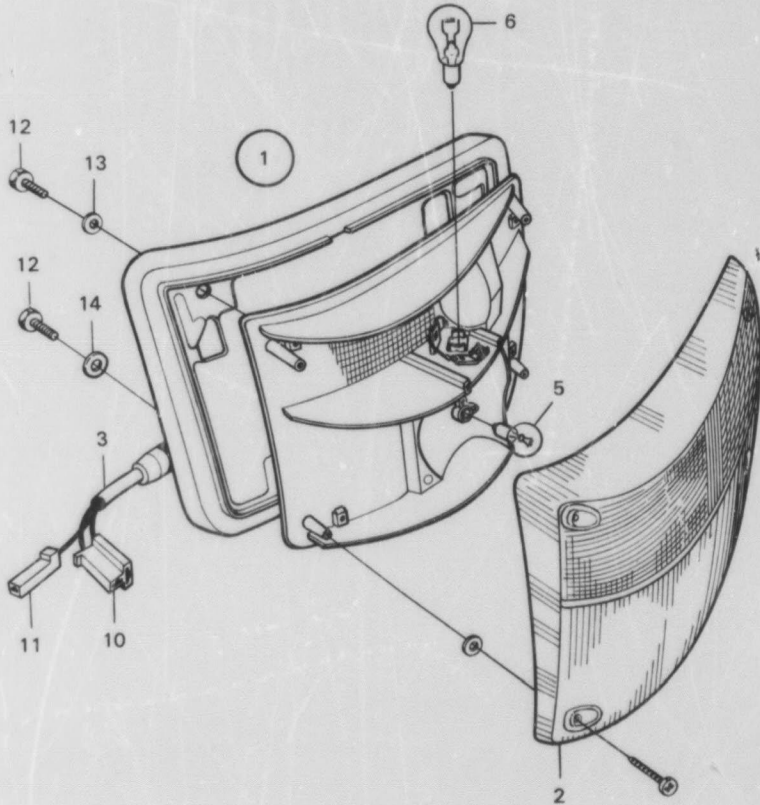
Battery and battery cables 2-A06  
Ignition system 2-A22  
Lighting 2-B04  
Electrical equipment, other 2-C04  
Wiring and fuses 2-D06



R 5161-V4

- 1. Ch. 96 520 001 - 95 065 001 -
- 3. Ch. 96 560 001 - 95 080 001 -
- 19. Ch. -96 507 018 - 95 062 059.
- 49. Ch. 470 001 - 96 52 001 - 95.

0600 Lighting		Belysning		Date	Illustration	Group	Page
Direction indicator/ parking lamp 1978-		Blink/parkerlykta		Datum	Bild nr	Grupp	Sida
				1982-04	R5162	3	35
Fig. Pos.	Part No Art nr	Quantity, Antal		Description	Benämning	K/S	Notes
		98	95				
0020	1 72 84 433	1	1	Direct. indic./parking lamp assy. L.H.	Blink/parkerlykta kpl. V.	2	
0040	1 72 84 441	1	1	Direct. indic./parking lamp assy. R.H.	Blink/parkerlykta kpl. H.	2	
0080	2 72 84 458	1	1	Glass with screw L.H.	Glas med skruv V.	1	
0100	2 72 84 466	1	1	Glass with screw R.H.	Glas med skruv H.	1	
0120	3 72 84 532	1	1	Cable L.H.	Kabel V.	6	
0140	3 72 84 540	1	1	Cable R.H.	Kabel H.	6	
0200	5 85 52 325	2	2	Bulb, parking lamp	Glödlampa, parkerlykus		40/238 254 015
0160	6 71 54 727	2	2	Bulb, direct. indic.	Glödlampa, blinkljus		40/238 254 007
0220	6 71 54 727	2	2	Terminal housing, 2-pole	Skarvhus, 2-pol	4	
0240	10 71 55 096	2	2	Terminal housing, 1-pole	Skarvhus, 1-pol	4	
0280	11 71 55 112	2	2	Screw	Skruv	5	
0300	12 80 19 903	8	8	Washer	Bricka	5	
0320	13 80 29 969	6	6	Washer	Bricka	5	
0340	13 80 29 969	6	6	Washer	Bricka	5	
0360	14 72 84 425	2	2	Washer	Bricka	5	



0 General	1-A02
Complete	1-C02
1 Tools	1-F02
2 Engine	1-G02
3 Electrical System, Instruments	2-A02
4 Transmission	2-E02
5 Brakes	2-G02
6 Front assembly, Steering	2-I02
7 Suspension, Wheels	2-J02
8 Body	3-A02
9 Accessories	3-K02
10 Numerical Index	4-A02
<b>3 GROUP INDEX</b>	
Battery and battery cables	2-A06
Ignition system	2-A22
Lighting	2-B04
Electrical equipment, other	2-C04
Wiring and fuses	2-D06

0650

Lighting

Tail light 95, for 96 upto  
and incl. model 1977

Belysning

Baklykta 95, för  
96 t.o.m. modell 1977

Date  
Datum 1982-04

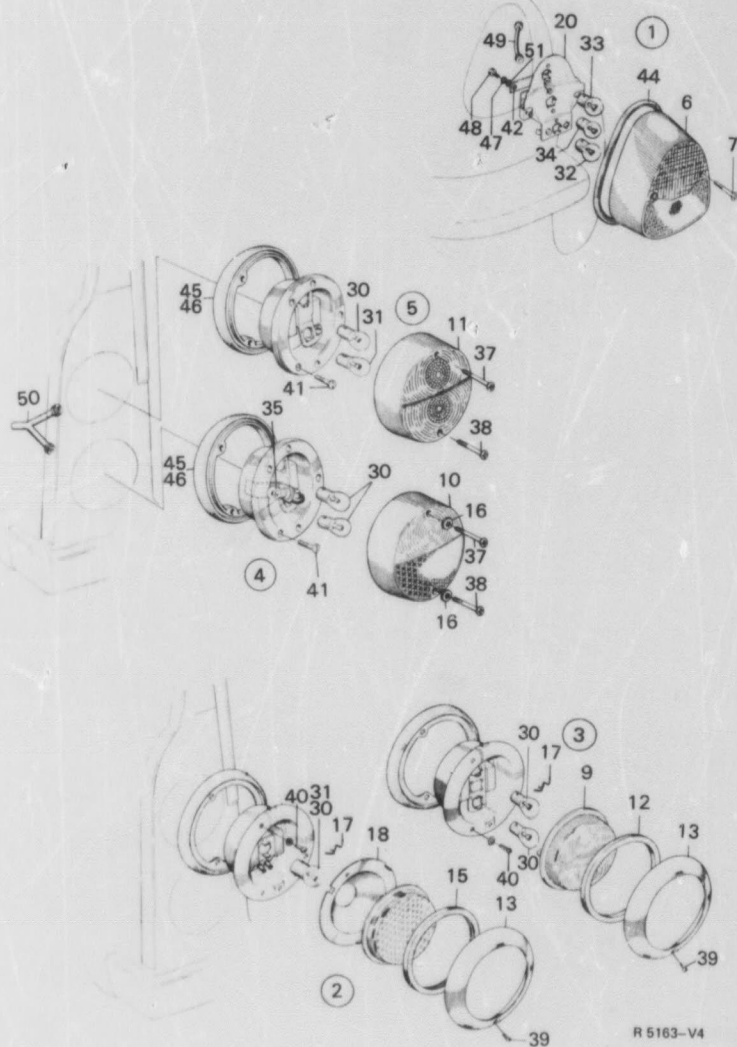
Illustration  
Bild nr R5163

Group  
Grupp 3

Page  
Sida 37

Fig. Pos.	Part No Art nr	Quantity/Antal		Description	Benämning	K/S SR	Notes Anmärkning
		96	95				
0020	1 88 35 415	1		Tail lamp assy. L.H.	Baklykta kpl. V.	3 51)	
0040	1 88 35 423	1		Tail lamp assy. R.H.	Baklykta kpl. H.	3 51)	
0060	1 88 35 373	1		Tail lamp assy. L.H.	Baklykta kpl V.	3 53) US	
0080	1 88 35 381	1		Tail lamp assy. R.H.	Baklykta kpl H.	3 53) US	
0100	1 88 54 457	1		Tail lamp assy. L.H.	Baklykta kpl V.	3 53) US	
0120	1 88 54 485	1		Tail lamp assy. R.H.	Baklykta kpl H.	3 19)	
0140	2 72 31 319		2	Tail lamp assy.	Baklykta kpl.	3 19)	
0160	3 72 51 531		2	Stop/direct indic. light.	Stopp/blinklykta	3 19)	
0200	4 72 59 211		2	Tail/stop light assy.	Bak/stopplykta kpl.	3 1)	
0220	4 72 59 195		1	Tail/stop light assy. with side position light. L.H.	Bak/stopplykta kpl med sidomarkerings-lampa V.	0 1) US, IS DELETED	
0240	4 72 59 203		1	Tail/stop light assy. with side position light. R.H.	Bak/stopplykta kpl med sidomarkerings-lampa H.	0 1) US, IS DELETED	
0260	5 72 59 096		2	Direct indic./back-up light assy.	Blink/backljuslykta kpl.	3 50)	
0280	5 72 05 018		2	Direct indic./back-up light assy.	Blink/backljuslykta kpl.	3 3)	
0300	5 72 59 095		2	Direct indic./back-up light assy.	Blink/backljuslykta kpl.	3 3) US	
0320	6 88 35 431		1	Glass, tail lamp L.H.	Glas, baklykta V.	2	
0340	6 88 35 449		1	Glass, tail lamp R.H.	Glas, baklykta H.	2 3,52) US	
0360	6 88 35 399		1	Glass, tail lamp L.H.	Glas, baklykta V.	2 3,52) US	
0380	6 88 35 407		1	Glass, tail lamp R.H.	Glas, baklykta H.	2 3,52) US	
0400	6 88 54 473		1	Glass, tail lamp L.H.	Glas, baklykta V.	2 53) US	
0420	6 88 54 481		1	Glass, tail lamp R.H.	Glas, baklykta H.	0 53) US	
0440	7 73 09 131		4	Screw	Skruv	5	
0460	9 72 51 564		2	Glass, stop/direct indic light	Glas, stopp/blinklykta	2 19)	
0480	10 72 59 146		2	Glass, tail/stop light.	Glas, bak/stopplykta	2 1)	
0500	11 72 59 120		2	Glass, direct indic./back-up light.	Glas, blink/backljuslykta	2 50)	
0520	11 72 66 034		2	Glass, direct indic./back-up light.	Glas, blink/backljuslykta	2 3)	
0540	11 72 59 120		2	Glass, direct indic./back-up light	Glas, blink/backljuslykta	2 3) US	
0560	12 72 51 556		2	Casket, stop/direct indic. light	Packning, stopp/blinklykta	5 19)	
0580	13 72 09 646		4	Frame	Sarg	3 18)	
0600	15 72 09 661		2	Casket	Packning	5 19)	
0620	16 72 59 609		4	Washer	Bricka	5 19)	
0640						5 1) PART OF 72 59 211, 72 59 096, 72 59 195, 72 59 203.	
0660	17 72 09 653		12	Spring clip	Fjäderbygel	5 19)	
0680	18 72 09 620		2	Reflector, tail lamp	Reflektor, baklampa	6 19)	
0700	20 73 09 115		1	Reflector L.H.	Reflektor V.	6	
0720	20 73 09 123		1	Reflector R.H.	Reflektor H.	6	
0740	30 71 54 719		4	Bulb, brake-direct, indic. and back up light	Glödlampa, broms-, blink-, backljus	19) 40/238 290 001	
0760	30 71 54 719		6	Bulb, brake-direct, indic. and back up light	Glödlampa, broms-, blink-, backljus	1) 40/238 290 001	

1. Ch. 96 520 001 - 95 065 001 -  
 2. Ch. 96 590 001 - 95 080 001 -  
 19. Ch. 96 507 018 - 95 067 059  
 50. Ch. 96 520 001 - 95 289 001 - 074 986  
 51. Superseded by 8835373,381  
 52. Ch. 96732012499.  
 53. Ch. 96732012500.



R 5163-V4

0 General	1-A02
Complete	1-C02
1 Tools	1-F02
2 Engine	1-G02
3 Electrical System, Instruments	2-A02
4 Transmission	2-E02
5 Brakes	2-G02
6 Front assembly, Steering	2-I02
7 Suspension, Wheels	2-J02
8 Body	3-A02
9 Accessories	3-K02
10 Numerical Index	4-A02

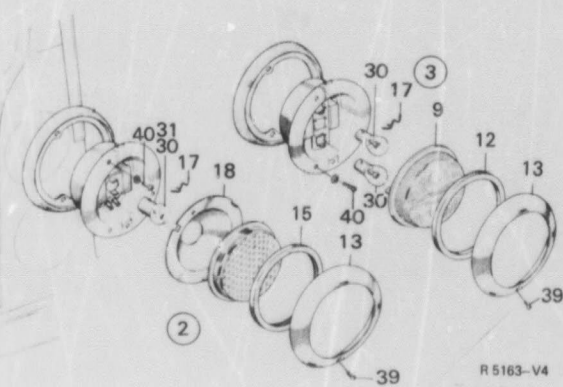
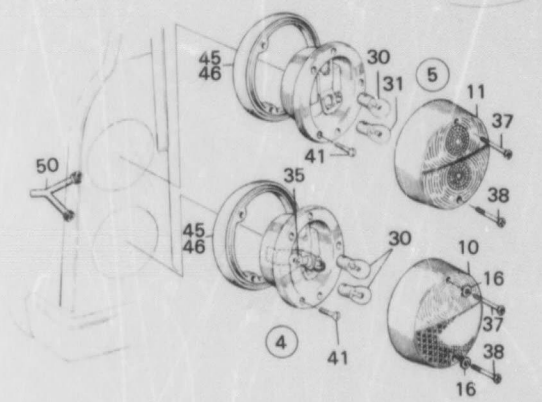
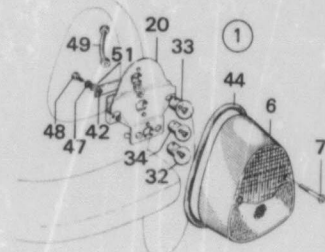
3 GROUP INDEX

Battery and battery cables	2-A06
Ignition system	2-A22
Lighting	2-B04
Electrical equipment, other	2-C04
Wiring and fuses	2-D06

0650

<b>Lighting</b>	<b>Belysning</b>	Date	Illustration	Group	Page
Tail light 95, for 96 upto and incl. model 1977	Baklykta 95, för 96 t.o.m. modell 1977	Datum	Bild nr	Grupp	Sida
		1982-04	R5163	3	39

Fig. Pos.	Part No. Art nr	Quantity/Antal		Description	Benämning	K/S S/R L	Notes Anmärkning
		96	95				
1190	31	71 54 727	2	Bulb, tail light	Glödlampa, bakljus		40/238 254 007
1200	32	71 54 727	2	Bulb, tail light	Glödlampa, bakljus		40/238 254 007
1220	33	71 54 719	2	Bulb, stop light	Glödlampa, bromsljus		40/238 290 001
1240	34	71 54 719	2	Bulb, direct. indic.	Glödlampa, blinkljus		40/238 290 001
1260	35	71 57 308	2	Bulb, side position light	Glödlampa, sidomarkering		1) US 40/238 274 005
1280	37	72 59 153	4	Screw	Skruv		5 1)
1300	38	72 59 161	4	Screw	Skruv		5 1)
1340	38	72 31 335	4	Screw	Skruv		5 19)
1360	40	79 21 356	12	Screw	Skruv		5 19)
1400	41	79 21 380	12	Screw	Skruv		5 1)
1420	42	71 54 743	2	Gasket	Packning		3 1)
1460	44	71 54 511	2	Seal	Tätning		5 1)
1480	45	72 59 179	2	Seal L.H.	Tätning V.		5 1)
1500	46	72 59 187	2	Seal R.H.	Tätning H.		5 1)
1520	47	79 10 540	4	Washer	Bricka		5
1540	48	79 03 016	4	Screw	Skruv		5
1560	49	71 29 966	2	Protective hose, rear	Skyddssläng, bak		3
1580	50	72 46 077	2	Protective hose, rear	Skyddssläng, bak		3
1600	51	70 61 328	4	Washer	Bricka		5



R 5163-V4

1. Ch. 96 520 001 - 95 065 001 -  
19. Ch. -96 507 018 - 95 062 059.

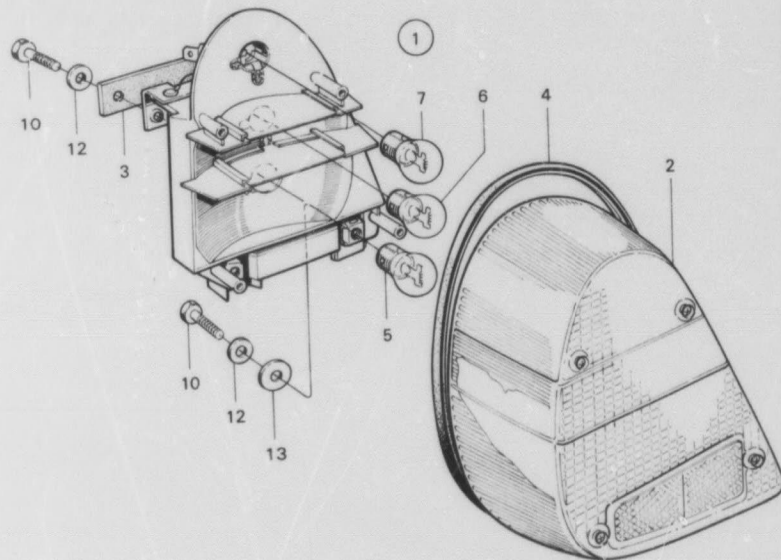
0 General	1-A02
Complete	1-C02
1 Tools	1-F02
2 Engine	1-G02
3 Electrical System, Instruments	2-A02
4 Transmission	2-E02
5 Brakes	2-G02
6 Front assembly, Steering	2-I02
7 Suspension, Wheels	2-J02
8 Body	3-A02
9 Accessories	3-K02
10 Numerical Index	4-A02
3 GROUP INDEX	
Battery and battery cables	2-A06
Ignition system	2-A22
Lighting	2-B04
Electrical equipment, other	2-C04
Wiring and fuses	2-D06

**SAB**  
genuine parts  
original reservdelar

**2-B18**

SAAB V4  
M67-80

MASTER INDEX



0700

Lighting		Belysning		Date	Illustration	Group	Page
Tail light as from model 1978.		Baklykta 96; fr. o.m. modell 1978.		Datum	Bild nr	Grupp	Sida
				1982-04	R3456	3	41
Fig. Pos.	Part No Art nr	Quantity/Antal		Description	Benämning	K/S	Notes Anmärkning
		96	95				
0020	1 72 84 557	1		Tail lamp assy L.H.	Baklykta kpl V.	3	
0040	1 72 84 585	1		Tail lamp assy R.H.	Baklykta kpl H.	3	
0060	2 72 84 573	1		.Glass with screw L.H.	.Glas med skruv V	2	
0080	2 72 84 581	1		.Glass with screw R.H.	.Glas med skruv H	2	
0100	3 71 54 743	2		.Gasket	.Packning	3	
0120	4 72 84 615	1		.Seal L.H.	.Tätning V.	5	PART OF 72 84 557
0140	4 72 84 623	1		.Seal R.H.	.Tätning H.	5	PART OF 72 84 585
0180	5 85 32 756	2		.Bulb stop/tail light	.Glödlampa broms/bakljus	5	
0200	6 71 54 719	2		.Bulb back-up light	.Glödlampa, backljus	40/238 290 001	
0220	7 71 54 719	2		.Bulb direction indicator	.Glödlampa, blinkljus	40/238 290 001	
0240							
0260	10 80 19 929	8		Screw	Skruv	5	
0280	12 80 29 969	8		Washer	Bricka	5	
0300	13 71 96 751	4		Washer	Bricka	5	

R 3456 - V 4

0 General Complete	1-A02 1-C02
1 Tools	1-F02
2 Engine	1-G02
3 Electrical System, Instruments	2-A02
4 Transmission	2-E02
5 Brakes	2-G02
6 Front assembly, Steering	2-I02
7 Suspension, Wheels	2-J02
8 Body	3-A02
9 Accessories	3-K02
10 Numerical Index	4-A02

**3 GROUP INDEX**

Battery and battery cables	2-A06
Ignition system	2-A22
Lighting	2-B04
Electrical equipment, other	2-C04
Wiring and fuses	2-D06

**SAAB**  
 genuine parts  
 original reservdelar

# 2-B20

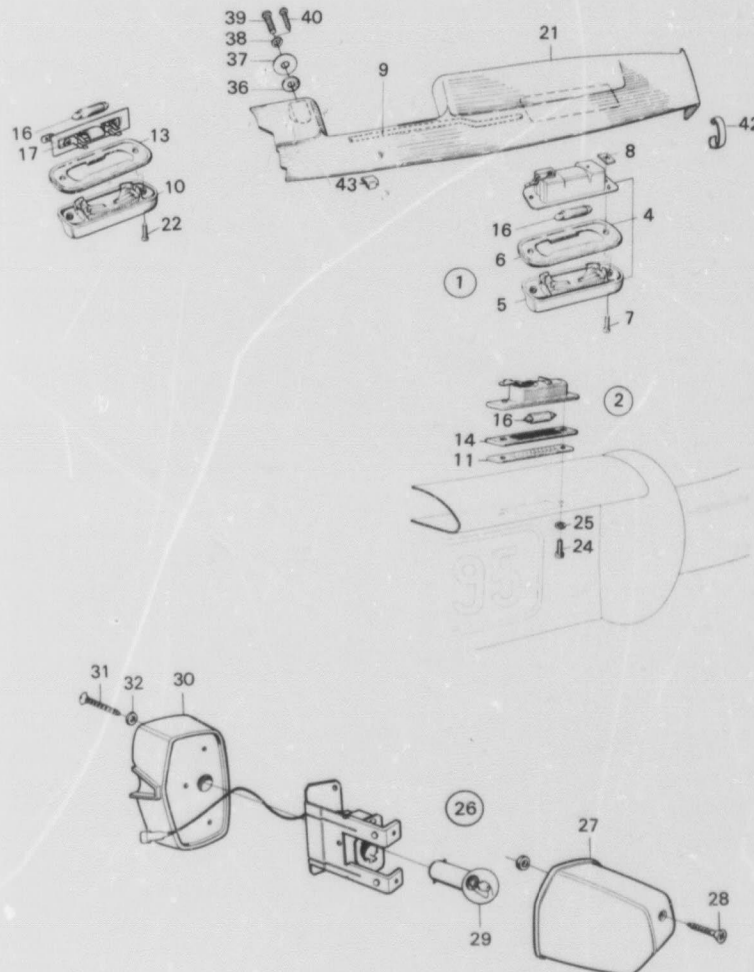
SAAB V4  
 M67-80

## MASTER INDEX

- 0 General 1-A02
- Complete 1-C02
- 1 Tools 1-F02
- 2 Engine 1-G02
- 3 Electrical System, Instruments 2-A02
- 4 Transmission 2-E02
- 5 Brakes 2-G02
- 6 Front assembly, Steering 2-I02
- 7 Suspension, Wheels 2-J02
- 8 Body 3-A02
- 9 Accessories 3-K02
- 10 Numerical Index 4-A02

## 3 GROUP INDEX

- Battery and battery cables 2-A06
- Ignition system 2-A22
- Lighting 2-B04
- Electrical equipment, other 2-C04
- Wiring and fuses 2-D06



0750

Lighting		Belysning		Date	Illustration	Group	Page
Number plate light 95, for 96 - 1977		Nummerbelysning 95, för 95 -1977.		Datum	Bild nr	Grupp	Sida
				1982-04	R3240	3	43
Fig. Pos.	Part No Art nr	Quantity/Åntal		Description	Benämning	Notes	
		96	95			K/S	Anmärkning
0020	1 71 54 560	1		Number plate light assy.	Nummerbelysning kpl	5	CH - 96.552.859 - 80 800. 238
0040	1 73 43 643	1		Number plate light assy.	Nummerbelysning kpl	5	CH 96.542.001 - 96.552. 859
0080	1 73 43 643	1		Number plate light assy.	Nummerbelysning kpl	5	CH 96.560.001 - 80 800 239 - FOR ALL MARKETS
0100	2 72 27 093		3	Number plate light assy.	Nummerbelysning kpl	5	[54]
0120	4 73 43 650	2		Number plate light	Nummerbelysning	5	PART OF 73 43 643
0140	5 73 43 676	2		Glass	Glas	3	PART OF 73 43 643
0160	6 73 43 684	2		Sealing	Tätning	5	PART OF 73 43 643
0200	7 79 22 701	4		Screw	Skruv	3	PART OF 73 43 643
0220	8 79 19 574	4		Clip	Clip	6	PART OF 73 43 643
0240	9 73 43 700	1		Cable	Kabel	3	PART OF 71 54 560
0260	10 73 43 676	2		Glass	Glas	3	[54] PART OF 72 27 093
0280	11 72 09 729	2	3	Gasket	Packning	5	PART OF 71 54 560
0300	14 72 09 737	2	3	Gasket	Packning	5	[54] PART OF 72 27 093
0320	16 70 84 187	2	3	Bulb	Glödlampa	5	40/238 261 002
0340	17 71 54 610	1		Bulb socket R.H.	Lamphållare H	3	PART OF 71 54 560
0360	21 71 54 552	1		Housing	Hus	0	IS DELETED, PART OF 71 54 560
0420	21 71 57 175	1		Housing	Hus	5	PART OF 71 57 670, 73 43 643
0440	22 71 54 651	4		Screw	Skruv	5	PART OF 71 54 560
0460	24 72 09 398		6	Screw	Skruv	5	[54]
0480	25 79 15 549		6	Washer	Bricka	5	[54]
0500	26 86 55 074		2	Washer	Bricka	5	[55]
0520	27 88 55 082		2	Washer	Bricka	3	[55]
0540	28 88 55 108		4	Washer	Bricka	5	[55]
0560	29 71 54 727		4	Bulb	Glödlampa	40/238 254 007	6 [58]
0580	30 88 55 116		1	Rubber pad L.H.	Gummisockel, V	6	[55]
0600	31 88 55 124		1	Rubber pad R.H.	Gummisockel, H	6	[55]
0620	32 80 59 305		6	Screw	Skruv	5	[55]
0640	33 79 15 549		2	Washer	Bricka	5	[55]
0660	34 71 56 751		4	Rubber washer	Gummirbricka	5	[55]
0680	35 71 55 705		4	Washer	Bricka	5	PART OF 71 57 670
0700	36 79 10 540		4	Washer	Bricka	5	PART OF 71 54 560
0720	37 79 22 974		4	Screw	Skruv	5	PART OF 71 57 670
0740	38 79 22 495		2	Screw	Skruv	5	[5] PART OF 73 43 643
0760	40 79 34 763		4	Screw	Skruv	5	[55]
0780	40 79 34 763		2	Screw	Skruv	5	[55]
0800	42 71 57 704		1	Cable clip	Kabelclip	5	[5] PART OF 71 54 560
0820	43 71 56 730		2	Cable clip	Kabelclip	5	[5]

**SAAB**  
genuine parts  
original reservdelar

# 2-B22

SAAB V4  
M67-80

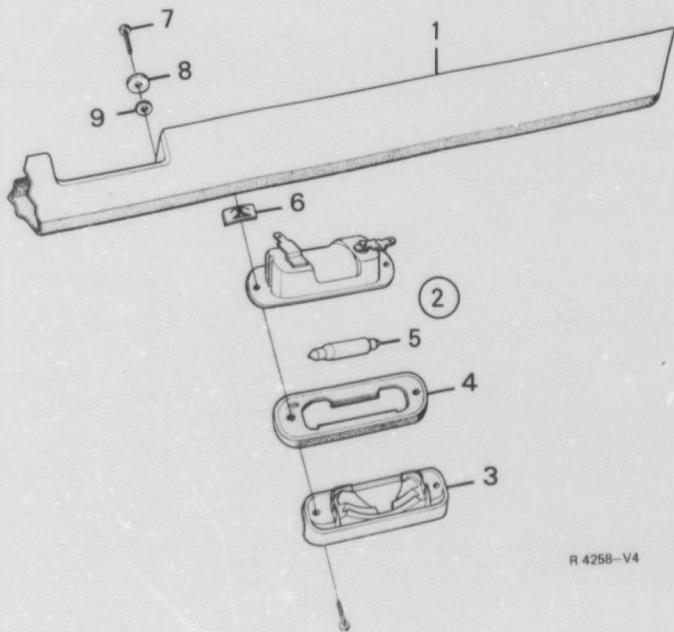
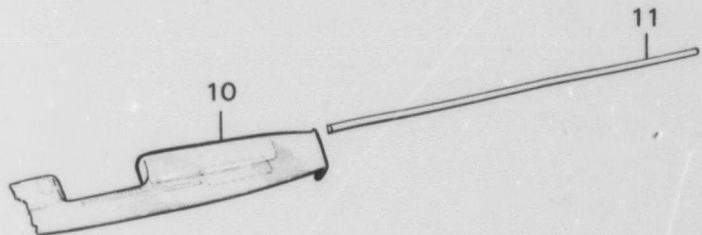
MASTER INDEX

0 General	1-A02
Complete	1-C02
1 Tools	1-F02
2 Engine	1-G02
3 Electrical System, Instruments	2-A02
4 Transmission	2-E02
5 Brakes	2-G02
6 Front assembly, Steering	2-I02
7 Suspension, Wheels	2-J02
8 Body	3-A02
9 Accessories	3-K02
10 Numerical Index	4-A02

3 GROUP INDEX

Battery and battery cables	2-A06
Ignition system	2-A22
Lighting	2-B04
Electrical equipment, other	2-C04
Wiring and fuses	2-D06

Lighting		Belysning		Date	Illustration	Group	Page
Number plate light		Nummerbelysning 96		Datum	Bild nr	Grupp	Sida
96 as from 1978		fr.o.m. 1978.		1982-04	R4258	3	45
Fig. Pos.	Part No Art nr	Quantity/Antal		Description	Benämning	K/S	Notes
		96	95				
0020	1	72 84 649	1	Handle assy.	Handtag kpl	5	
0040	2	72 84 672	2	Number plate light	Nummerbelysning kpl	5	
0080	3	72 84 714	2	assy		3	
0100	4	73 43 684	2	Glass	Glas	5	
0120	5	70 84 197	2	Sealing	Tätning	5	
0140	6	72 84 722	4	Bulb	Glödlampa	5	40/238 261 002
0180	7	79 22 370	4	Clip	Clip	5	
0200	8	71 55 765	2	Screw	Skruv	5	
0220	9	79 16 489	2	Washer	Bricka	5	
0240	10	73 43 643	1	Washer	Bricka	5	
0260	11	88 54 655	1	Number plate light	Nummerplåtbelysning	DT	
		88 54 655	1	Moulding LH	Dekorlist V	DT	
		88 54 653	1	Moulding RH	Dekorlist H	DT	

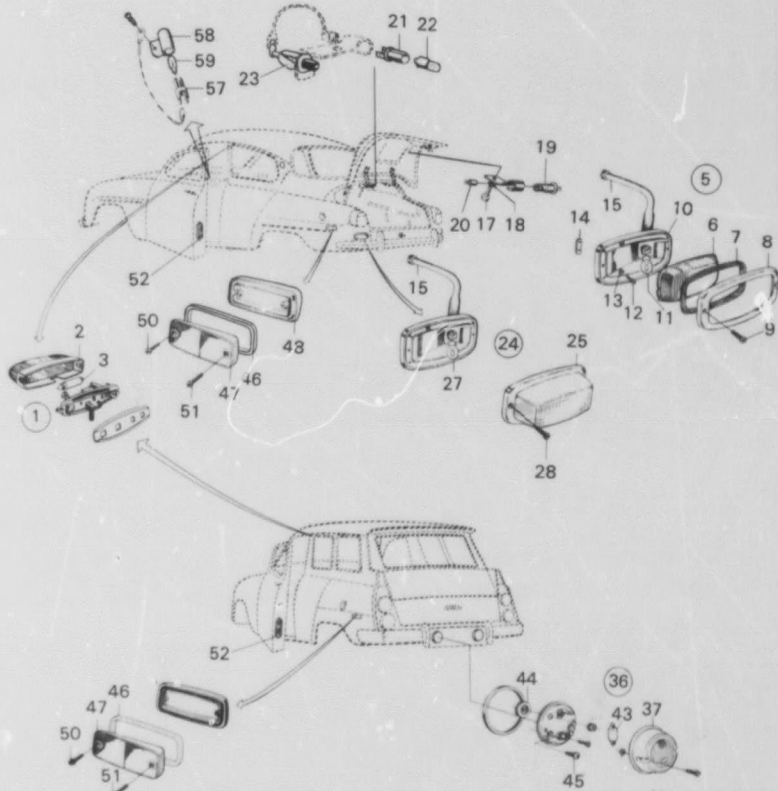


R 4258-V4

0650

Lighting Lights other		Belysning Övrig belysning		Date Datum	Illustration Bild nr	Group Grupp	Page Sida
				1982-04	R5164	3	47

Fig. Pos.	Part No Art nr	Quantity/Antal		Description	Benämning	K S R L	Notes Anmärkning
		96	95				
0020	1	1	2	Dome lamp assy	Taklampa kpl		4 CH 370 501-96
0040	2	1	2	.Glass	.Glas		6 CH 370 501-96 MAKE »HELLA»
0060	2	1	2	.Glass	.Glas		6 CH 370 501-96 MAKE »SPARTO»
0080							40/238 261 002
0100	3	1	2	.Bulb	.Glödlampa		3 CH 96 172 600-568 865 US AND DE LUXE VERSION ONLY
0120	5	1	2	Back-up light assy	Baklampa kpl		2 CH 96 172 600-568 865 USA, AND DE LUXE VERSION ONLY
0160	6	1	2	.Glass	.Glas		5 CH 96 172 600-568 865 US AND DE LUXE VERSION ONLY
0180	7	1	2	.Seal, glass	.Tätning, glas		5 CH 96 172 600-568 865 US AND DE LUXE VERSION ONLY
0220	8	1	2	.Frame	.Ram		3 CH 96 172 600-568 865 US AND DE LUXE VERSION ONLY
0240	8	1	2	.Frame	.Ram		5 CH 96 172 600-568 865 US AND DE LUXE VERSION ONLY
0260	8	1	2	.Frame	.Ram		6 CH 96 172 600-568 865 US AND DE LUXE VERSION ONLY
0300	8	1	2	.Frame	.Ram		5 CH 96 172 600-568 865 US AND DE LUXE VERSION ONLY
0320	8	1	2	.Frame	.Ram		5 CH 96 172 600-568 865 US AND DE LUXE VERSION ONLY
0340	8	1	2	.Frame	.Ram		5 CH 96 172 600-568 865 US AND DE LUXE VERSION ONLY
0360	8	1	2	.Frame	.Ram		5 CH 96 172 600-568 865 US AND DE LUXE VERSION ONLY
0380	8	1	2	.Frame	.Ram		5 CH 96 172 600-568 865 US AND DE LUXE VERSION ONLY
0400	8	1	2	.Frame	.Ram		5 CH 96 172 600-568 865 US AND DE LUXE VERSION ONLY
0420	8	1	2	.Frame	.Ram		5 CH 96 172 600-568 865 US AND DE LUXE VERSION ONLY
0440	8	1	2	.Frame	.Ram		5 CH 96 172 600-568 865 US AND DE LUXE VERSION ONLY
0460	8	1	2	.Frame	.Ram		5 CH 96 172 600-568 865 US AND DE LUXE VERSION ONLY
0480	8	1	2	.Frame	.Ram		5 CH 96 172 600-568 865 US AND DE LUXE VERSION ONLY
0500	8	1	2	.Frame	.Ram		5 CH 96 172 600-568 865 US AND DE LUXE VERSION ONLY
0520	8	1	2	.Frame	.Ram		5 CH 96 172 600-568 865 US AND DE LUXE VERSION ONLY
0540	8	1	2	.Frame	.Ram		5 CH 96 172 600-568 865 US AND DE LUXE VERSION ONLY
0560	8	1	2	.Frame	.Ram		5 CH 96 172 600-568 865 US AND DE LUXE VERSION ONLY
0580	8	1	2	.Frame	.Ram		5 CH 96 172 600-568 865 US AND DE LUXE VERSION ONLY
0600	8	1	2	.Frame	.Ram		5 CH 96 172 600-568 865 US AND DE LUXE VERSION ONLY
0620	8	1	2	.Frame	.Ram		5 CH 96 172 600-568 865 US AND DE LUXE VERSION ONLY
0640	8	1	2	.Frame	.Ram		5 CH 96 172 600-568 865 US AND DE LUXE VERSION ONLY
0660	8	1	2	.Frame	.Ram		5 CH 96 172 600-568 865 US AND DE LUXE VERSION ONLY
0680	8	1	2	.Frame	.Ram		5 CH 96 172 600-568 865 US AND DE LUXE VERSION ONLY
0700	8	1	2	.Frame	.Ram		5 CH 96 172 600-568 865 US AND DE LUXE VERSION ONLY
0720	8	1	2	.Frame	.Ram		5 CH 96 172 600-568 865 US AND DE LUXE VERSION ONLY
0760	8	1	2	.Frame	.Ram		5 CH 96 172 600-568 865 US AND DE LUXE VERSION ONLY
0780	8	1	2	.Frame	.Ram		5 CH 96 172 600-568 865 US AND DE LUXE VERSION ONLY
0800	8	1	2	.Frame	.Ram		5 CH 96 172 600-568 865 US AND DE LUXE VERSION ONLY
0820	8	1	2	.Frame	.Ram		5 CH 96 172 600-568 865 US AND DE LUXE VERSION ONLY
0840	8	1	2	.Frame	.Ram		5 CH 96 172 600-568 865 US AND DE LUXE VERSION ONLY
0860	8	1	2	.Frame	.Ram		5 CH 96 172 600-568 865 US AND DE LUXE VERSION ONLY
0880	8	1	2	.Frame	.Ram		5 CH 96 172 600-568 865 US AND DE LUXE VERSION ONLY
0881	8	1	2	.Frame	.Ram		5 CH 96 172 600-568 865 US AND DE LUXE VERSION ONLY
0900	8	1	2	.Frame	.Ram		5 CH 96 172 600-568 865 US AND DE LUXE VERSION ONLY
0920	8	1	2	.Frame	.Ram		5 CH 96 172 600-568 865 US AND DE LUXE VERSION ONLY
0940	8	1	2	.Frame	.Ram		5 CH 96 172 600-568 865 US AND DE LUXE VERSION ONLY
0960	8	1	2	.Frame	.Ram		5 CH 96 172 600-568 865 US AND DE LUXE VERSION ONLY
0980	8	1	2	.Frame	.Ram		5 CH 96 172 600-568 865 US AND DE LUXE VERSION ONLY
1000	8	1	2	.Frame	.Ram		5 CH 96 172 600-568 865 US AND DE LUXE VERSION ONLY
1020	8	1	2	.Frame	.Ram		5 CH 96 172 600-568 865 US AND DE LUXE VERSION ONLY
1040	8	1	2	.Frame	.Ram		5 CH 96 172 600-568 865 US AND DE LUXE VERSION ONLY
1060	8	1	2	.Frame	.Ram		5 CH 96 172 600-568 865 US AND DE LUXE VERSION ONLY
1080	8	1	2	.Frame	.Ram		5 CH 96 172 600-568 865 US AND DE LUXE VERSION ONLY
1100	8	1	2	.Frame	.Ram		5 CH 96 172 600-568 865 US AND DE LUXE VERSION ONLY
1120	8	1	2	.Frame	.Ram		5 CH 96 172 600-568 865 US AND DE LUXE VERSION ONLY
1140	8	1	2	.Frame	.Ram		5 CH 96 172 600-568 865 US AND DE LUXE VERSION ONLY
1160	8	1	2	.Frame	.Ram		5 CH 96 172 600-568 865 US AND DE LUXE VERSION ONLY



R 5164-V4

2. Ch -96 552 859 -95 074 986.  
3. Ch 96 560 001 - 95 080 001 -  
6. Ch -96 742 017 275 - 96 746 000 565 - 95 742 006 620 - 95 746 000 165  
7. Ch 96 752 000 001 - 96 756 000 001 - 95 752 000 001 - 95 756 000 001 -

0 General	1-A02
Complete	1-C02
1 Tools	1-F02
2 Engine	1-G02

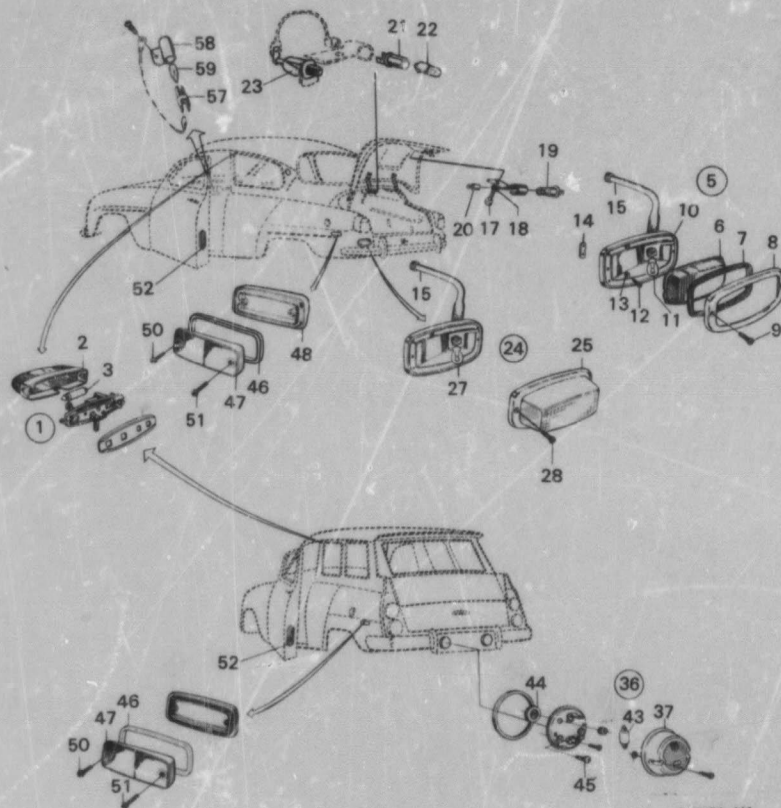
3 Electrical System, Instruments	2-A02
4 Transmission	2-E02
5 Brakes	2-G02
6 Front assembly, Steering	2-I02
7 Suspension, Wheels	2-J02
8 Body	3-A02
9 Accessories	3-K02
10 Numerical Index	4-A02

3 GROUP INDEX

Battery and battery cables	2-A06
Ignition system	2-A22
Lighting	2-B04
Electrical equipment, other	2-C04
Wiring and fuses	2-D06



- 98. Ch. 9677300501-9677300501-9677630001-9677300001-9677600001-
- 99. Scandinavia and special markets.
- 96. Ch. -96742012848-96742005554-96746004541.
- 97. Ch. 96742012849-96742005555-96746004542-
- 98. Ch. 96752010045-96753001200-
- 100. Ch. 96752005546-96753001190-96753001948-
- 101. Ch.-96773007553-96773002496.
- 103. Ch.-96773009622-96776005247-96773003140.
- 104. Ch. 96783000001-96786000001-96783000001-
- 105. Ch.-96752003076-96753000511-9675300073.
- 106. Ch. 96752003077-96753000512-96753000780-



R 5164-V4

**SAAB**  
genuine parts  
original reservdelar

## 2-C02

SAAB V4  
M67-80

Lighting Lights other		Belysning Övrig belysning		Date Datum	Illustration Bild nr	Group Grupp	Page Sida
				1982-04	R5164	3	49
Fig. Pos.	Part No Art nr	Quantity/Antal		Description	Benämning	K/S S/R L	Notes Anmärkning
		96	95				
1280	43	72 57 132	2	Bulb	Glödlampa		CH-95.082.059 US 40/230 263 006
1300	44	79 61 311	2	Grommet	Genomföringsbussning	5	CH-95.082.058 US
1320	45	79 22 347	4	Screw	Skruv	5	CH-95.082.059 US
1340	46	85 01 975	2	Decor frame, side position reflector	Dekorram, sido- markeringsreflex	4	3) US
1380							
1400	47	88 35 290	2	Reflector disc	Reflexskiva	3	3) US
1420	48	88 35 316	1	Sealing L.H.	Tätning V	6	3) US
1440	48	88 35 324	1	Sealing R.H.	Tätning H	6	3) US
1480	50	88 36 132	2	Screw	Skruv	5	3) US
1500	51	88 36 082	2	Screw	Skruv	5	3) US
1520	52	85 62 225	1	Reflector	Dörreflex	5	3) US
1540	57	85 09 897	1	Lamp socket	Lamphållare	5	CH. 96732012500-US
1560	58	88 52 881	1	Bracket, lamp socket	Fäste, lamphållare	6	CH. 96732012500-US
1580	59	85 00 613	1	Bulb	Glödlampa	5	CH. 96732012500-US 40/230 286 009
1600							

### MASTER INDEX

- 0 General Complete 1-A02 1-C02
- 1 Tools 1-F02
- 2 Engine 1-G02
- 3 Electrical System, Instruments 2-A02
- 4 Transmission 2-E02
- 5 Brakes 2-G02
- 6 Front assembly, Steering 2-I02
- 7 Suspension, Wheels 2-J02
- 8 Body 3-A02
- 9 Accessories 3-K02
- 10 Numerical Index 4-A02

### 3 GROUP INDEX

- Battery and battery cables 2-A06
- Ignition system 2-A22
- Lighting 2-B04
- Electrical equipment, other 2-C04
- Wiring and fuses 2-D06

**SAAB**  
genuine parts  
original reserved

# 2-C04

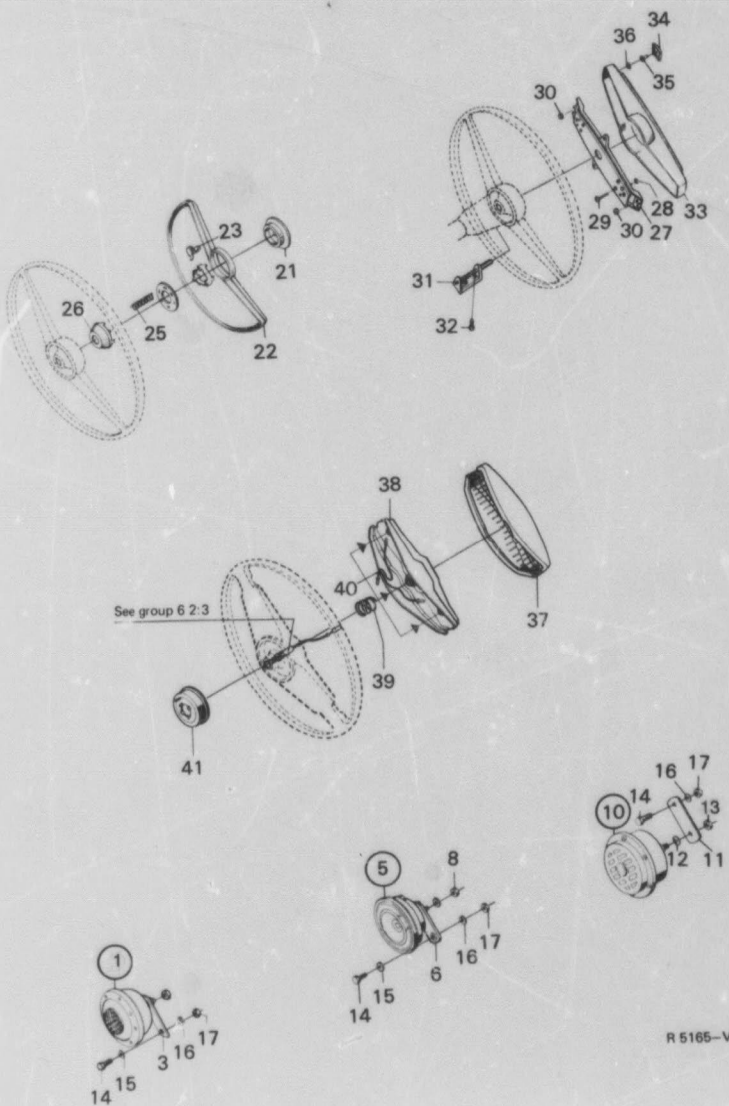
SAAB V4  
M67-80

MASTER INDEX

- 0 General 1-A02
- Complete 1-C02
- 1 Tools 1-F02
- 2 Engine 1-G02
- 3 Electrical System, Instruments 2-A02
- 4 Transmission 2-E02
- 5 Brakes 2-G02
- 6 Front assembly, Steering 2-I02
- 7 Suspension, Wheels 2-J02
- 8 Body 3-A02
- 9 Accessories 3-K02
- 10 Numerical Index 4-A02

3 GROUP INDEX

- Battery and battery cables 2-A06
- Ignition system 2-A22
- Lighting 2-B04
- Electrical equipment, other 2-C04
- Wiring and fuses 2-D06



0900 Electric equipment		Elektrisk utrustning		Date	Illustration	Group	Page
Horn and button		Signal och signalhorn		Datum	Bild nr	Grupp	Sida
				1982-04	R5165	3	51
Fig. Pos.	Part No Art nr	Quantity/Antal		Description	Benämning	K/S	Notes
		96	95				
0020	1 85 21 783	1	1	Horn assy L.H., high tone	Signalhorn kpl. V. hög ton		136
0040	5 85 21 783	1	1	Horn assy R.H., low tone	Signalhorn kpl. H. låg ton	4	136
0060	1 73 03 076	1	1	.Retainer	.Hällare	5	136
0080	8 71 58 806	1	1	Horn assy	Signalhorn kpl	5	58,50
0100	3 73 08 307	2	2	.Nut	.Mutter	5	58,50
0140	5 85 21 783	1	1	.Retainer	.Hällare	5	58,50
0180	6 85 11 545	1	1	Horn assy	Signalhorn kpl	4	60
0200	8 71 58 806	1	1	.Retainer	.Hällare	5	60
0220	5 85 21 783	1	1	.Washer	.Bricka	5	60
0240	6 85 21 808	1	1	.Nut	.Mutter	5	60
0260	7 85 21 817	1	1	Horn assy	Signalhorn kpl	4	60
0280	8 85 21 825	1	1	.Retainer	.Hällare	5	60
0300	10 85 11 719	1	1	.Washer	.Bricka	5	60
0320	11 85 11 735	1	1	Horn assy	Signalhorn kpl	4	60
0340	12 65 11 743	1	1	.Retainer	.Hällare	5	60
0360	13 85 11 750	1	1	.Washer	.Bricka	5	60
0380	14 79 35 885	2	2	.Nut	.Mutter	5	136
0400	15 79 18 505	2	2	Screw	Skruv	5	136
0420	16 79 10 557	2	2	Washer	Bricka	5	136
0440	17 79 14 708	2	2	Nut	Mutter	5	136
0460	14 79 35 885	1	1	Screw	Skruv	5	58,50
0480	15 79 18 505	1	1	Washer	Bricka	5	58,50
0500	16 79 10 557	1	1	Washer	Bricka	5	58,50
0520	17 79 14 708	1	1	Nut	Mutter	5	58,50
0540	21 71 84 351	1	1	Knob	Knapp	5	136
0560	22 71 84 204	1	1	Signal ring	Signalring	5	135
0600	23 71 84 344	3	3	Clip	Clip	0	135
0640	25 71 84 336	3	3	Spring	Fjäder	6	135
0680	26 71 84 302	1	1	Cup	Kopp	3	3,8
0690	27 88 36 603	1	1	Signal contact	Signalkontakt	5	3,8
0700	28 79 10 516	4	4	Washer	Bricka	5	3,8
0720	29 79 83 352	4	4	Screw	Skruv	5	3,8
0740	30 79 19 468	2	2	Nut	Mutter	5	3,8
0760	31 73 43 825	1	1	Sliding contact	Släpkontakt	2	3,8
0780	32 79 22 628	1	1	Screw	Skruv	5	3,8
0800	33 73 56 744	1	1	Upholstery, steering wheel	Stötskydd, ratt	5	3,56
0840	33 88 53 830	1	1	Upholstery, steering wheel	Stötskydd, ratt	5	57
0880	34 73 56 785	2	2	Button	Trycke	6	3,56
0900	35 73 56 783	2	2	Bushing	Bussning	6	3,56
0920	36 73 56 801	2	2	Clip	Clip	5	3,56
0940	37 73 85 058	1	1	Upholstery, steering wheel	Stötskydd, ratt	5	9
0960	38 73 95 084	1	1	Signal contact	Signalkontakt	3	9
0980	38 89 33 152	1	1	Signal contact	Signalkontakt	6	129 DT
0995	38A 89 33 180	1	1	Emblem	.Emblem	6	129 DT
1000	39 73 95 072	3	3	Spring	Fjäder	5	9
1020	40 88 54 861	1	1	Cable, signal contact	Kabel, signalkontakt	6	9
1040	41 73 72 964	1	1	Contact ring	Kontakttring	5	9

- 3. Ch. 96 560.001 - 95.080.001 -
- 8. Ch. -96752015165 - 96756007419 - 96752002041 - 96753003018 - 96758000281
- 9. Ch. 96752080001 - 96762000001 - 96768000000 - 96763000001 - 96768000001 - 96768000001 -
- 56. Ch. -96722014226 - 96726003117 - 96722004941 -
- 57. Ch. 96722014227 - 96726003118 - 96722004942 -
- 58. Ch. 96722000001 - 96722000001 - 96722000001 - 96726000001 -
- 59. Ch. -96732023028 - 96736003344 - 96732007767 - 96726000185 -
- 60. Ch. 96742000001 - 96746000001 - 96742000001 - 96746000001 -
- 129. Ch. 96798000001 -
- 135. Ch. -96 458.528 - 95.50.187
- 136. Ch. -96 627.413 - 61602639 - 95.102.180 - 51801165

**SAAB**  
genuine parts  
original reservdelar

**2-C06**

**SAAB V4**  
**M67-80**

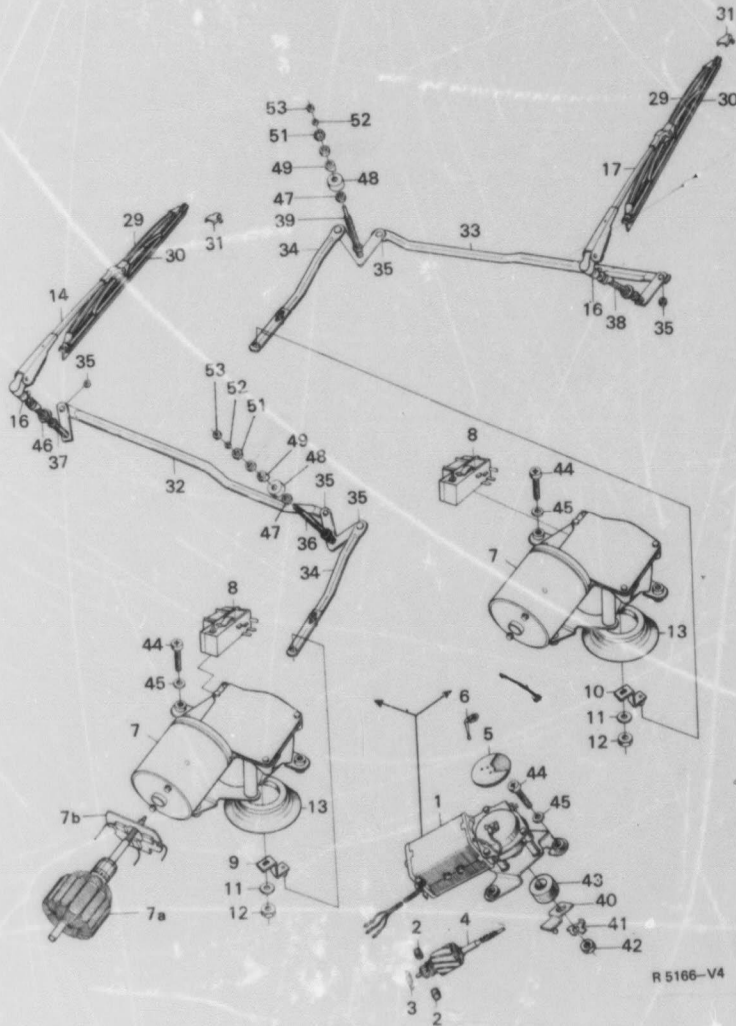
**MASTER INDEX**

- 0 General 1-A02
- Complete 1-C02
- 1 Tools 1-F02
- 2 Engine 1-G02

- 3 Electrical System, Instruments 2-A02
- 4 Transmission 2-E02
- 5 Brakes 2-G02
- 6 Front assembly, Steering 2-I02
- 7 Suspension, Wheels 2-J02
- 8 Body 3-A02
- 9 Accessories 3-K02
- 10 Numerical Index 4-A02

**3 GROUP INDEX**

- Battery and battery cables 2-A06
- ignition system 2-A22
- Lighting 2-B04
- Electrical equipment, other 2-C04
- Wiring and fuses 2-D06



Electric equipment		Elektrisk utrustning		Date Datum	Illustration Bild nr	Group Grupp	Page Sida
Windshield wipers		Vindrutetorkare					
Fig. Pos.	Part No Art nr	Quantity/ Antal	Description	Benämning	K/S	Notes Anmärkning	
		96 95			S/R		
0920	1 73 26 630	1 1	Wiper motor assy	Motor kpl, vindrutetorkare	4) 2)	LUCAS 75610	
0920	1 73 34 352	1 1	Wiper motor assy	Motor kpl, vindrutetorkare	4) 2)	LUCAS RHD	
0100	2 78 63 533	1 1	Brush set	.Kolsats	4) 2)		
0120	3 78 63 541	1 1	Spring, brush holder	.Fjäder, kolphållare	5) 2)		
0140	4 78 63 556	1 1	Armature	.Kontaktplatta	6) 2)		
0160	5 78 63 566	1 1	Contact plate	.Parkeringskontakt	3) 2)		
0180	6 78 63 574	1 1	Parking contact	.Parkeringskontakt	0) 3)	LUCAS(8835622,8835621)	
0200	7 88 35 530	1 1	Wiper motor without gear	Motor utan drev vindrutetorkare	5) 3)		
0220	7A 88 57 021	1 1	Rotor	.Rotor	6) 3)		
0250	7B 88 57 038	1 1	Brush plate	.Borstplatta	3) 3)		
0270	7B 88 57 038	1 1	Brush plate	.Borstplatta	3) 3)		
0280	8 88 15 763	1 1	Parking contact	.Parkeringskontakt	6) 3)		
0300	8 88 35 548	1 1	Driving arm	.Vevarm	6) 3)	R.H.D.	
0320	10 88 35 636	1 1	Driving arm	.Vevarm	5) 3)		
0340	11 88 35 597	1 1	Washer	.Bricka	5) 3)		
0360	12 88 35 605	1 1	Nut	.Mutter	0) 3)		
0370	12 88 35 605	1 1	Nut	.Mutter	0) 3)		
0380	13 88 35 563	1 1	Gear for 88 35 530	.Drev för 88 35 530	4) 2)		
0400	14 71 57 043	2 2	Sealing	.Tätning	3) 135) SWF		
0420	14 73 34 676	2 2	Wiper arm	.Torkarm	3) 46) 61) SWF		
0440	14 71 57 043	2 2	Wiper arm	.Torkarm	3) 135) SWF, US		
0460	14 71 57 852	2 2	Wiper arm	.Torkarm	3) TRICO		
054C	14 72 81 850	2 2	Wiper arm	.Torkarm	3) 62)		
0560	16 73 43 502	2 2	Bushing	.Bussning	3) TRICO		
0580	17 73 42 421	2 2	Wiper arm	.Torkarm	3) 46) 61) SWF R.H.D.		
0600	17 73 43 940	2 2	Wiper arm	.Torkarm	3) 62, 63) TRICO R.H.D.		
0620	17 88 54 556	2 2	Wiper arm	.Torkarm	3) 64) SWF R.H.D.		
0640	17 72 81 868	2 2	Wiper arm assy	.Torkarm kpl	3) 135) TRICO R.H.D.		
0660	17 71 57 878	2 2	Wiper arm assy	.Torkarm kpl	1) 135) SWF, US		
0690	29 71 29 355	2 2	Wiper blade assy	.Torkarblad kpl	1) 135) MAGNOTEX		
0700	29 71 29 355	2 2	Wiper blade assy	.Torkarblad kpl	1) 135) SWF		
0720	29 71 56 620	2 2	Wiper blade assy	.Torkarblad kpl	1) 48, 61) ANCO		
0740	29 88 50 910	2 2	Wiper blade assy	.Torkarblad kpl	1) 48, 61) ANCO		
0760	29 73 34 683	2 2	wiper blade assy	.torkarblad kpl	1) 48, 61) SWF		
0800	29 88 50 919	2 2	Wiper blade assy	.Torkarblad kpl	1) 48, 61) ANCO		
0840	29 72 81 835	2 2	wiper blade assy	.torkarblad kpl	1) 62, 63) ANCO		
0880	29 72 81 835	2 2	Wiper blade assy	.torkarblad kpl	1) 64) SWF		
0900	30 71 08 103	2 2	Rubber profile	.Gummiprofil	2) 135) SWF		
0920	30 73 34 691	2 2	Rubber profile	.Gummiprofil	2) 48) 61) SWF		
0940	30 71 57 738	2 2	Rubber profile	.Gummiprofil	2) 135) TRICO		
0960	30 88 50 943	2 2	Rubber profile	.Gummiprofil	2) 48) 63) ANCO		
0980	31 71 57 746	1 1	Stop	.Stopp	0) 48) 63) ANCO		
1000	32 71 57 088	1 1	Link assy, long	.Länk kpl, lång	5) 135)		
1020	33 73 26 705	1 1	Link assy, long	.Länk kpl, lång	5) 49)		
1040	33 73 26 705	1 1	Link assy, long	.Länk kpl, lång	0) 2) R.H.D, IS DELETED		
1060	34 71 55 922	1 1	Link assy, long	.Länk kpl, lång	5) 135) SWF		
1080	34 73 34 667	1 1	Link assy, short	.Länk kpl, kort	5) 49)		
1100	35 78 46 132	4 4	Link assy, short	.Länk kpl, kort	5) 49)		
1120	36 71 56 342	1 1	Plastic bearing	.Plastic lager	3) 49) SWF		
1140	36 73 34 576	1 1	Pivot L.H.	.Spindel V	4) 135) SWF		
1160	36 88 35 571	1 1	Pivot L.H.	.Spindel V	4) 48)		
1180	37 71 29 380	1 1	Pivot RH	.Spindel H	4) 3)		

R 5166-V4

- 2. Ch.-96 552 859, -95 074 986.
- 3. Ch. 96 560 001 - 95 080 001 -.
- 48. Ch. 470 001 - 96 52 001 - 96.
- 61. Ch. -96 752002708 - 95 752000898 - 96 756000525.
- 62. Ch. -96 752002709 - 95 752000899 - 96 756000526.
- 63. Ch. -96 7300657 - 95 73000400.
- 64. Ch. 96 7300658 - 95 73000401 -.
- 135. Ch. -96 458 526, -95 50 197

**SMB**  
 genuine parts  
 original reservdelar

# 2-C08

SAAB V4  
 M67-80

MASTER INDEX

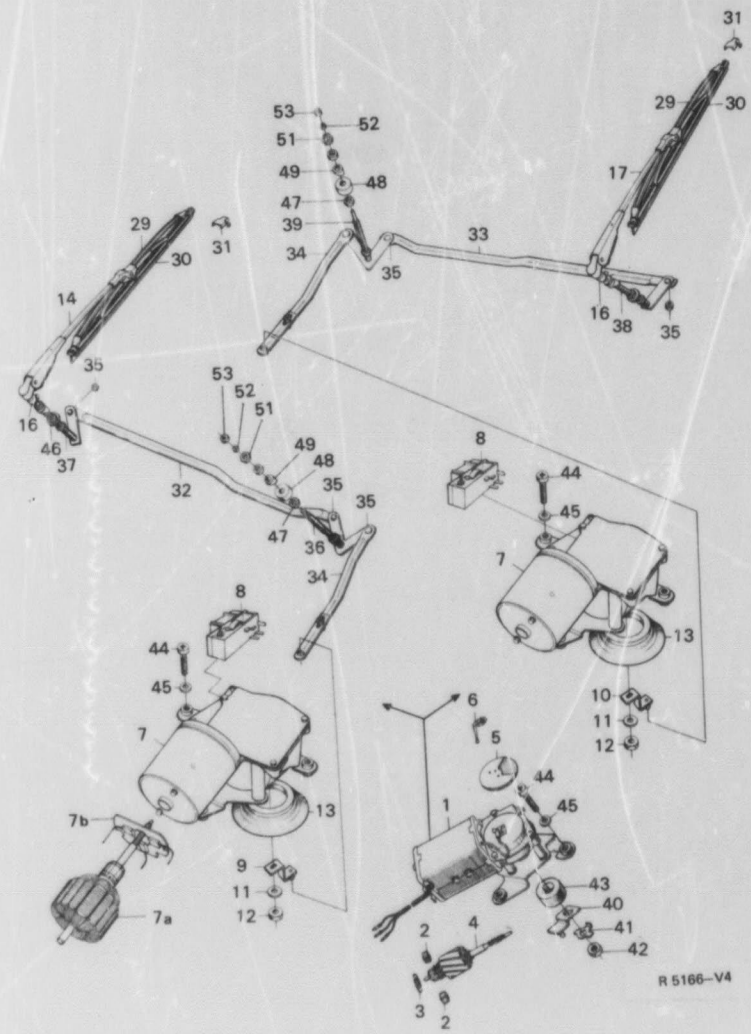
0 General	1-A02
Complete	1-C02
1 Tools	1-F02
2 Engine	1-G02
3 Electrical System, Instruments	2-A02
4 Transmission	2-E02
5 Brakes	2-G02
6 Front assembly, Steering	2-I02
7 Suspension, Wheels	2-J02
8 Body	3-A02
9 Accessories	3-K02
10 Numerical Index	4-A02

3 GROUP INDEX

Battery and battery cables	2-A06
Ignition system	2-A22
Lighting	2-B04
Electrical equipment, other	2-C04
Wiring and fuses	2-D06

0960

Electric equipment		Elektrisk utrustning		Date Datum	Illustration Bild nr	Group Grupp	Page Sida
Windshield wipers		Vindrutetorkare					
				1982-04	R5166	3	55
Fig. Pos.	Part No Art nr	Quantity/Antal		Description	Benämning	K/S	Notes Anmärkning
		96	95				
1200	37	73 34 684	1	1	Pivot R.H.	Spindel H.	4 48)
1220	38	71 29 380	1	1	Pivot L.H.	Spindel V.	4 135) S*W F R.H.D
1240	38	73 34 584	1	1	Pivot L.H.	Spindel V.	4 48) R.H.D.
1280	39	71 96 579	1	1	Pivot R.H.	Spindel H.	4 135) SWI R.H.D
1280	39	73 42 357	1	1	Pivot R.H.	Spindel H.	4 2) R.H.D.
1300	38	88 35 589	1	1	Pivot R.H.	Spindel H.	4 3) R.H.D.
1320	40	73 26 341	1	1	Driving arm	Drivarm	6 2) LUCAS
1340	41	73 26 358	1	1	Lock plate	Låsbricka	2) LUCAS
1360	42	79 04 121	1	1	Nut	Mutter	5 2)
1380	43	73 26 382	1	1	Seal ring	Tätningssring	4 2)
1400	44	79 23 096	3	3	Screw	Skruv	5
1420	45	71 19 845	3	3	Washer	Bricka	5
1440	46	71 56 815	1	1	Fibre washer	Fiberbricka	4
1460	47	70 96 944	2	2	Nut	Mutter	5
1480	48	71 55 930	1	1	Spacer	Distansstycke	5
1500	49	71 07 196	2	2	Rubber bushing	Gummibussning	3
1540	51	70 96 944	2	2	Nut	Mutter	5
1567	52	71 55 690	2	2	Rubber washer	Gummibussning	5
1580	53	71 07 238	2	2	Sealing cap	Tätningshuv	5



R 5166-V4

2. Ch.-96.552.859, -95.074.986.  
 3. Ch. 96 560 001- 95 080 001-  
 49. Ch. 470.001-96. 52.001-95  
 135. Ch.-96.458.526, -95.50.197

**SAAB**  
 genuine parts  
 original reservdelar

# 2-C10

SAAB V4  
 M67-80

MASTER INDEX

0 General	1-A02
Complete	1-C02
1 Tools	1-F02
2 Engine	1-G02
3 Electrical System, Instruments	2-A02
4 Transmission	2-E02
5 Brakes	2-G02
6 Front assembly, Steering	2-I02
7 Suspension, Wheels	2-J02
8 Body	3-A02
9 Accessories	3-K02
10 Numerical Index	4-A02

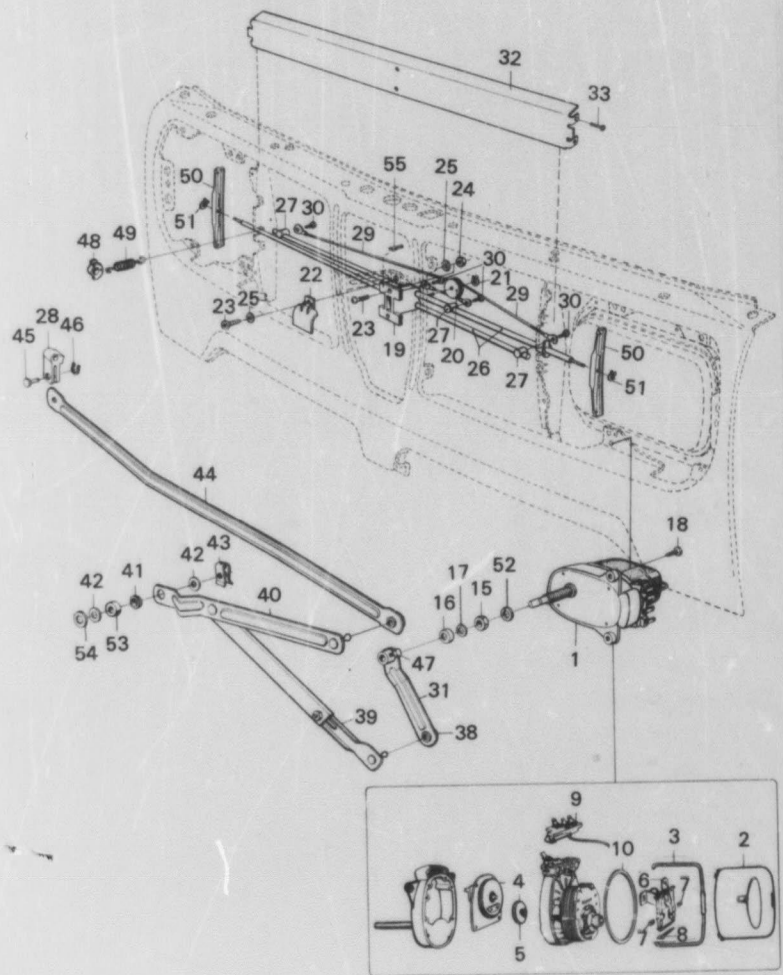
3 GROUP INDEX

Battery and battery cables	2-A06
Ignition system	2-A22
Lighting	2-B04
Electrical equipment, other	2-C04
Wiring and fuses	2-D06

1000	Electric equipment Headlight wiper 1971-	Elektrisk utrustning Strålkastartorkare 1971-	Date 1962-04	Illustration Bild nr R3830	Group Grupp 3	Page Sida 57
------	---	--	-----------------	----------------------------------	---------------------	--------------------

Fig. Pos.	Part No Art nr	Quantity/Antal		Description	Benämning	K/S	Notes Anmärkning
		96	95				
0020	1	88 50 570	1	1	Mctor assy headlight wiper	Motor kpl strålkastartorkare	S 3
0040	2	88 15 748	1	1	.Cover	.Kåpa	S 5
0080	3	88 15 755	1	1	.Clamp	.Bygel	S 5
0100	4	85 45 089	1	1	.Kit gear	.Sats drev	S 5
0120	5	85 05 448	1	1	.Gear	.Drev	S 5
0140	6	85 05 485	2	2	.Carbon retainer assy	.Kothållare kpl	S 5
0160	7	85 05 483	2	2	.Carbon brush	.Kol	S 5
0180	8	85 05 471	1	1	.Spring	.Fjäder	S 4
0200	9	85 05 489	1	1	.Parking switch	.Parkeringskontakt	S 3
0220	10	88 16 407	1	1	.Gasket	.Packning	S 4
0240	15	70 96 944	1	1	Nut	Mutter	S 5
0280	16	71 07 238	1	1	Cap	Kepsel	S 3
0300	17	71 55 690	1	1	Shaft sealing	Åxeltätning	S 3
0320	18	79 22 982	2	2	Screw	Skruv	S 3
0340	19	85 11 487	1	1	Center bushing	Centrumbussning	S 3 (59)
0360	20	85 10 152	1	1	Center bushing	Centrumbussning	S 3 (60)
0380	21	85 07 236	1	1	Pulley, cord	Linhjul	S 5
0400	22	85 08 335	1	1	Lock clip	Spärryttare	S 3
0420	23	79 34 607	1	1	Protective cover	Skyddskåpa	S 3 (88)
0440	23	79 65 833	2	2	Screw	Skruv	S 5 (59)
0460	24	79 59 406	1	1	Nut	Mutter	S 5 (59)
0480	24	80 74 096	2	2	Nut	Mutter	S 5 (59)
0500	25	79 15 556	2	2	Washer	Bricka	S 5 (59)
0520	26	88 50 562	2	2	Shaft	Åxel	S 6
0540	27	85 08 277	3	3	Bushing	Fästbussning	S 3 (88)
0560	27	85 10 208	3	3	Bushing	Fästbussning	S 3 (44)
0580	28	85 08 570	1	1	Bushing	Ledbussning	S 3
0600	29	85 08 285	2	2	Nylon cord	Nylonlina	S 3
0620	30	80 19 713	4	4	Screw	Skruv	S 5
0640	31	88 50 521	1	1	Driving arm	Vevarm	S 4
0660	32	88 53 285	1	1	Protective cover	Skyddskåpa	S 3 (44,59)
0680	32	88 50 950	1	1	Protective cover	Skyddskåpa	S 3 (60)
0700	33	79 22 719	4	4	Screw	Skruv	S 5 (60)
0710	36	78 46 132	3	3	Plastic bearing	Plastlager	S 3
0720	38	88 50 539	1	1	Push rod	Stötstäng	S 4
0740	40	88 50 547	1	1	Driving arm	Vevarm	S 4 (55)
0760	40	88 50 686	1	1	Driving arm assy	Vevarm kpl	S 4 (58)
0780	41	85 04 029	1	1	.Bushing	.Bussning	S 3
0800	42	85 04 086	1	1	Washer	Bricka	S 5 (66)
0820	42	85 04 086	2	2	Washer	Bricka	S 5 (67)
0840	43	85 04 094	1	1	Lock clip	Spärryttare	S 3
0860	44	88 50 554	1	1	Push rod	Stötstäng	S 4
0880	46	85 07 204	1	1	Joint pin	Ledtapp	S 3
0900	46	85 11 289	1	1	Lock clip	Spärryttare	S 5
0920	47	80 19 887	1	1	Screw	Skruv	S 3
0940	48	85 08 293	2	2	Bushing	Bussning	S 5
0960	48	85 08 301	2	2	Spring	Fjäder	S 5
0980	50	85 12 717	2	2	Wiper blade	Torkarblad	S 2 (70)
1000	51	85 11 289	2	2	Lock clip	Spärryttare	S 3
1020	52	88 02 175	1	1	Washer	Bricka	S 5 (65)
1040	53	88 50 601	1	1	Spacer tub	Distansrör	S 5 (58)

- 44. Ch. 96732000001 - 96738000001 - 95732000001 - 96736000001 -
- 55. Ch. 95753080001 - 95763000001 - 95766000001 -
- 58. Ch. 96722000001 - 96726000001 - 95722000001 - 96726000001 -
- 59. Ch. -96732023028 - 96736006344 - 95732007767 - 95726000185 -
- 60. Ch. 96742000001 - 96746000001 - 95742000001 - 95746000001 -
- 65. Ch. -96 622 241 - 95 100 199 -
- 66. Ch. -96722013486 - 95722004729 -
- 67. Ch. 96722013467 - 95722004730 -
- 68. Ch. -96722021567 - 96726006009 - 95722008323 - 957260001 -
- 70. Ch. 96732001869 - 95732000561 -



R 3830-V4

**SAAB**  
genuine parts  
original reserved parts

# 2-C12

SAAB V4  
M67-80

1000

Electric equipment  
Headlight wiper 1971-

Elektrisk utrustning  
Strålkastartorkare 1971-

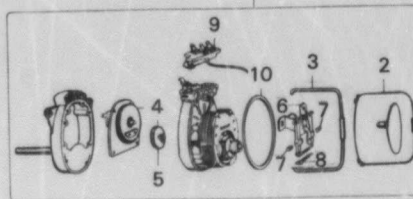
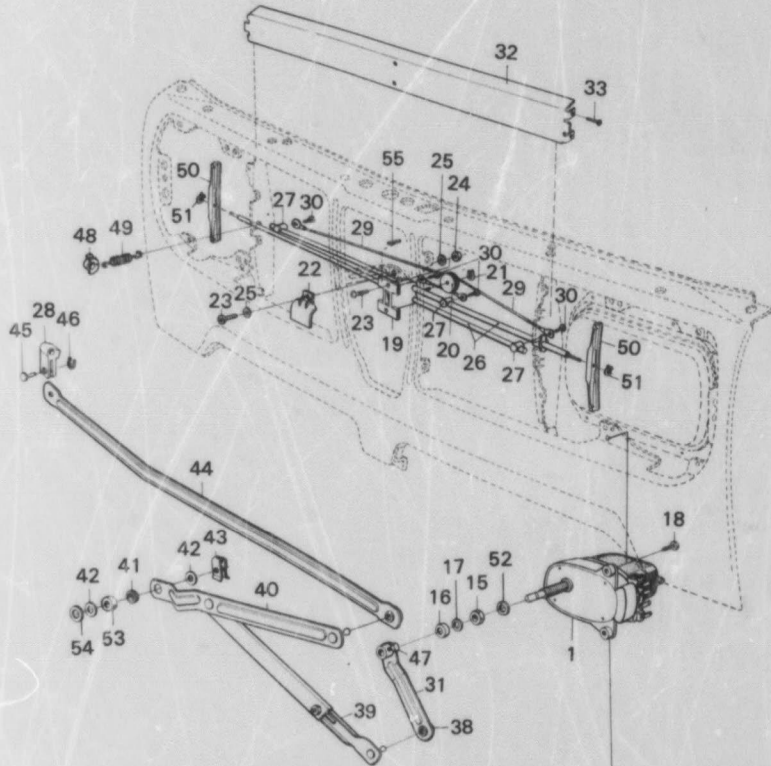
Date  
Datum  
1982-04

Illustration  
Bild nr  
R3830

Group  
Grupp  
3

Page  
Sida  
59

Fig. Pos.	Part No Art nr	Quantity/Amtal		Description	Benämning	K S S R / L	Notes Anmärkning
		96	95				
1060	54	80 29 993	1	1	Washer	Bricka	5 (67)
1090	55	79 18 188	1	1	Lock peg	Spännstift	5 (44,58)
1100		88 15 524	X	X	Kit, headlight wiper	Sats, strålkastartorkare	3 (55)
1120		88 16 296	X	X	Kit, headlight wiper	Sats, strålkastartorkare	3 (58,66)
1140		88 16 274	X	X	Kit, headlight wiper	Sats, strålkastartorkare	3 (57,68)
1160		88 16 258	X	X	Kit, headlight wiper	Sats, strålkastartorkare	3 (44,58)
1200		88 16 506	X	X	Kit, headlight wiper	Sats, strålkastartorkare	3 (60)
1261		88 15 649	X	X	Kit, wiper blade	Sats, torkarblad	2 (69)



R 3830-V4

- 44. Ch. 96732000001-96736000001-96732000001-96736000001-
- 55. Ch. 96753080001-96763000001-96766000001-
- 58. Ch. 96722000001-96728000001-96722000001-96728000001-
- 59. Ch. 96732023028-96736008344-96732007767-96728000185-
- 60. Ch. 96742000001-96746000001-96742000001-96746000001-
- 66. Ch. 96722013466-96722004729-
- 67. Ch. 96722013467-96722004730-
- 68. Ch. 96722021567-96720008009-96722008323-967260001
- 69. Ch. 96732001868-96732000560-

## MASTER INDEX

- 0 General 1-A02
- Complete 1-C02
- 1 Tools 1-F02
- 2 Engine 1-G02
- 3 Electrical System, Instruments 2-A02
- 4 Transmission 2-E02
- 5 Brakes 2-G02
- 6 Front assembly, Steering 2-I02
- 7 Suspension, Wheels 2-J02
- 8 Body 3-A02
- 9 Accessories 3-K02
- 10 Numerical Index 4-A02

## 3 GROUP INDEX

- Battery and battery cables 2-A06
- Ignition system 2-A22
- Lighting 2-B04
- Electrical equipment, other 2-C04
- Wiring and fuses 2-D06

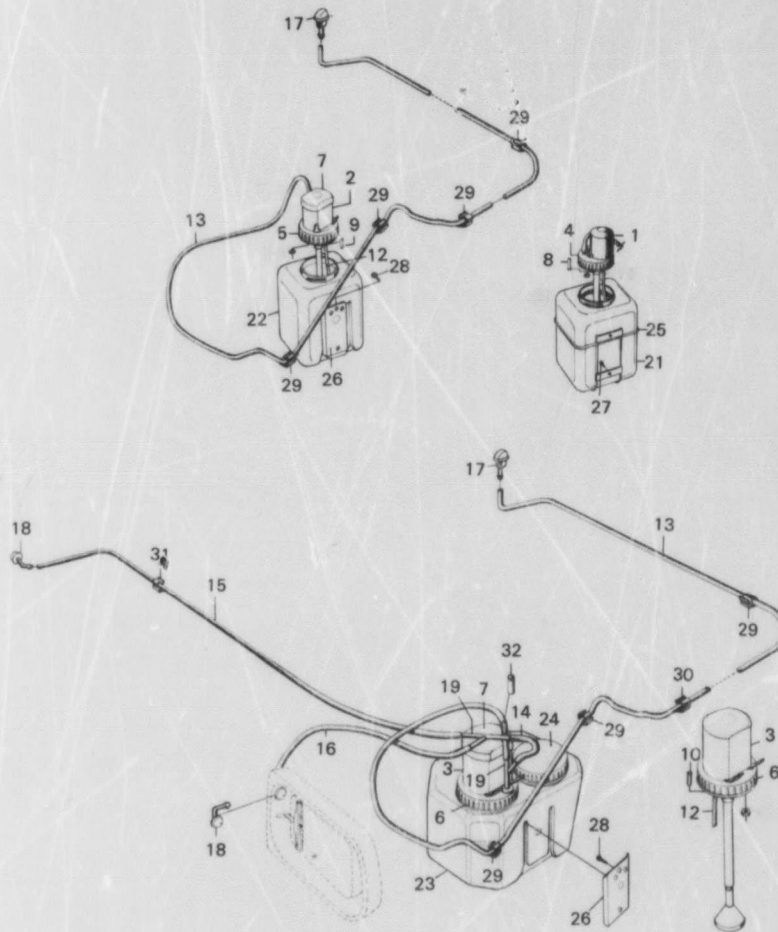
1050

Electric equipment		Elektrisk utrustning		Date	Illustration	Group	Page
Windshield- and headlight washer -1973		Vindrute- och strålkastarspolare -1973		Datum	Bild nr	Grupp	Sida
				1982-04	R5167	3	61
Fig. Pos.	Part No Art nr	Quantity/Antal		Description	Benämning	K/S	Notes Anmärkning
		96	95				
0020	1	85 11 305	1	1	Motor, windshield washer	Motor, vindrutespolare	2 71) (73 50 564)
0040	2	85 11 297	1	1	Motor with cover and pump assy	Motor kpl med lock och pump	S 70)
0060	2	85 11 305	1	1	Motor, windshield washer	Motor, vindrutespolare	S 2 70)
0100	3	85 11 297	1	1	Motor with cover and pump assy	Motor kpl med lock och pump	S 5,73,76)
0120	3	85 11 305	1	1	Motor, windshield- and headlight washer	Motor, vindrute- och strålkastarspolare	S 2 73,77)
0140	4	85 11 313	1	1	Cover with pump	Lock med pump	4 71) (73 50 572)
0200	5	85 11 313	1	1	Cover with pump	Lock med pump	S 4 70)
0260	6	85 11 313	1	1	Cover with pump	Lock med pump	S 4 73,77)
0300	7	85 11 404	1	1	Cover, motor	Lock, motor	S 4 77)
0320	8	73 50 580	1	1	Sleeve	Hylsa	S 5 71)
0340	9	73 38 999	1	1	Sleeve	Hylsa	S 5 5,76)
0360	10	73 38 999	2	2	Sleeve	Hylsa	S 5 71)
0380	12	73 38 155	1	1	Hose	Slang	S 5 72)
0420	12	85 08 995	1	1	Hose	Slang	S 5 5,76)
0440	12	85 08 996	2	2	Hose	Slang	S 5 70)
0460	13	73 38 049	1	1	Hose	Slang	S 5 73,77)
0480	13	88 50 687	1	1	Hose	Slang	S 5 73,77)
0500	13	88 50 695	1	1	Hose	Slang	S 5 73,77)
0520	14	85 11 362	1	1	Hose RH	Slang H	S 5 5,73)
0540	15	88 50 729	1	1	Hose LH	Slang V	S 5 5,73)
0560	16	85 07 063	2	2	Jet	Munstycke	S 2 73,77)
0580	17	73 38 015	1	1	Jet	Munstycke	S 2 5,73)
0600	18	88 50 711	2	2	Y-pipe	Y-rör	S 2 5,73)
0620	19	85 09 002	1	1	Y-pipe	Y-rör	S 2 73,77)
0640	19	85 09 002	2	2	Container	Behållare	S 3 71)
0660	21	73 38 947	1	1	Container	Behållare	S 3 72)
0720	22	85 07 022	1	1	Container	Behållare	S 3 5,73)
0740	23	85 08 798	1	1	Cover	Lock	2 73,77)
0760	24	95 06 988	1	1	Basket for container	Korg för behållare	71) SUPERSEDED BY 85 07 022 + 85 07 030
0780	25	73 38 122	1	1	Bracket	Konsol	S 0 72)
0800	26	95 07 030	1	1	Screw	Skruv	S 5 71)
0820	27	79 22 800	2	2	Screw	Skruv	S 5 72,5,73)
0840	28	79 21 885	2	2	Clip	Clip	S 5
0860	29	71 08 491	5	5	Clip	Clip	S 5
0880	30	73 38 163	3	3	Clip	Clip	S 5 5,73)
0900	31	79 33 443	1	1	Clip	Clip	S 5 5,73)
0920	32	85 11 388	1	1	Back valve	Backventil	S 3

0 General	1-A02
Complete	1-C02
1 Tools	1-F02
2 Engine	1-G02
3 Electrical System, Instruments	2-A02
4 Transmission	2-E02
5 Brakes	2-G02
6 Front assembly, Steering	2-I02
7 Suspension, Wheels	2-J02
8 Body	3-A02
9 Accessories	3-K02
10 Numerical Index	4-A02

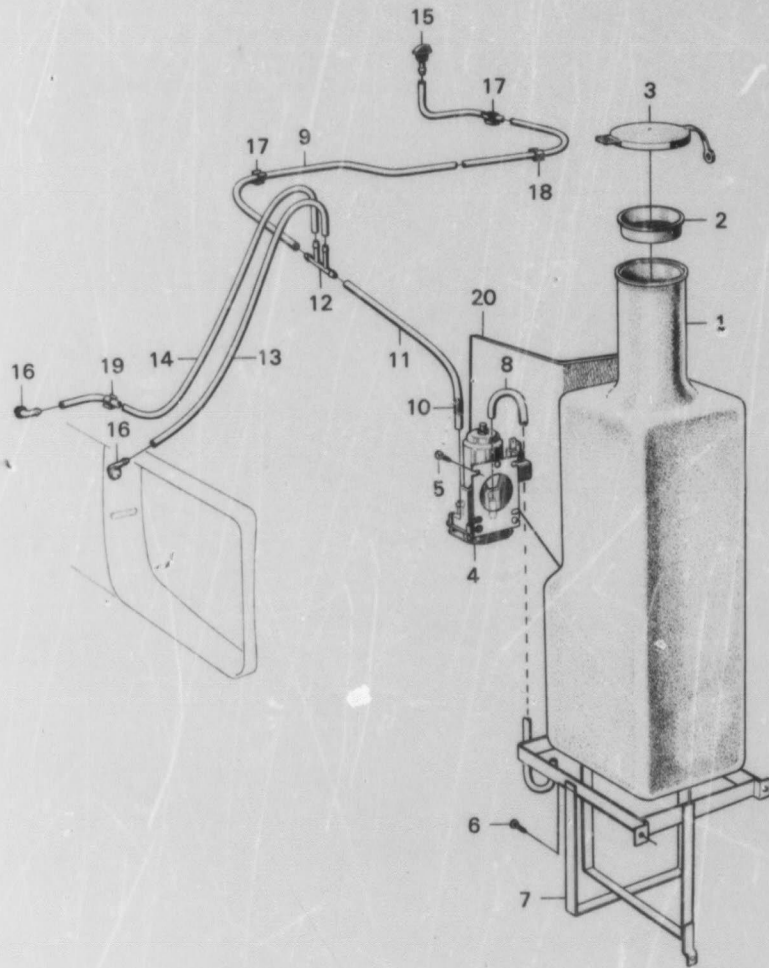
3 GROUP INDEX

Battery and battery cables	2-A06
Ignition system	2-A22
Lighting	2-B04
Electrical equipment, other	2-C04
Wiring and fuses	2-D06



R 5167-V4

- 5. Ch. 96.600.001 - 61600001 - 95.095.001 - 51600001
- 71. Ch. 96.567.312 - 60600001 - 95.082.240 - 50600039.
- 72. Ch. 96.567.313 - 80600002 - 95.082.241 - 50600040.
- 73. Sw and special markets.
- 74. Ch. 96.622.241 - 61601458 - 95.100.999 - 51601143.
- 77. Ch. 96.622.242 - 61601459 - 95.101.000 - 51601144.
- 78. Ch. 96.722006178 - 95.722001859.
- 79. Ch. 96.722006177 - 95.722001860.



R 2922 - V4

1100

Electric equipment  
Windshield- and  
headlight washer 1974-

Elektrisk utrustning  
Vindrute- och  
strålkastarspolare 1974-

Date  
Datum  
1982-04

Illustration  
Bild nr  
R2922

Group  
Grupp  
3

Page  
Sida  
63

Fig. Pos.	Part No Art nr	Quantity/Åntal		Description	Benämning	K/S S/R /L	Notes Anmärkning
		96	95				
0020	1 88 53 301	1	1	Container	Behållare	3	(80)
0040	1 88 54 648	1	1	Container	Behållare	3	(81)
0060	2 85 60 161	1	1	Filter	Filter	4	
0080	3 85 18 557	1	1	Cover	Lock	2	
0100	4 85 18 573	1	1	Washer pump	Spolerpump	2	
0120	5 79 22 719	2	2	Screw, pump	Skruv, pump	6	
0140	6 88 53 327	1	1	Basket, container	Korg, behållare	5	
0160	7 79 46 734	3	3	Screw, basket	Skruv, korg	5	
0180	8 85 33 382	1	1	Hose	Slang	5	(80)
0200	8 85 33 374	1	1	Hose	Slang	5	(81)
0220	9 88 53 434	1	1	Hose	Slang	3	
0240	10 85 11 388	1	1	Back valve	Backventil	3	
0260	11 88 53 400	1	1	Hose	Slang	5	
0280	12 85 10 091	1	1	Branch pipe	Grenrör	5	
0300	13 85 07 063	1	1	Hose LH, headlight	Slang V., strålkast- are	5	
0320	14 88 50 729	1	1	Hose RH, headlight	Slang H., strålkast- are	5	
0340	15 73 38 015	1	1	Jet	Munstycke	2	
0360	16 85 10 125	2	2	Jet	Munstycke	5	
0420	17 71 08 491	5	5	Clip	Clip	5	
0440	18 73 38 163	3	3	Clip	Clip	5	
0460	19 79 33 443	1	1	Clip	Clip	5	
0480	20 88 54 564	1	1	Herring protector	Värmesköld	5	(80)

- 0 General 1-A02
- Complete 1-C02
- 1 Tools 1-F02
- 2 Engine 1-G02
- 3 Electrical System, Instruments 2-A02
- 4 Transmission 2-E02
- 5 Brakes 2-G02
- 6 Front assembly, Steering 2-I02
- 7 Suspension, Wheels 2-J02
- 8 Body 3-A02
- 9 Accessories 3-K02
- 10 Numerical Index 4-A02

3 GROUP INDEX

- Battery and battery cables 2-A06
- Ignition system 2-A22
- Lighting 2-B04
- Electrical equipment, other 2-C04
- Wiring and fuses 2-D06

80. Ch. 96752012203-96758007419-95753002534-95756000281.  
81. Ch. 96752012204-96766000001-95753002535-95766000001.



- 1. Ch. 96.520.001 - 96.065.001 -
- 7. Ch. 96.752000001 - 96.756000001 - 96.752000001 - 96.756000001 -
- 19. Ch. 96.507.018 - 96.062.058
- 44. Ch. 96.732000001 - 96.736000001 - 96.732000001 - 96.736000001 -
- 90. Ch. 96.772000001 - 96.773000001 - 96.778000001 - 96.773000001 - 96.778000001 -
- 127. Ch. 96.722000001 - 96.72201567 - 96.720000001 - 96.726006009 - 96.722000001 - 96.722008323 - 96.726000001 - 96.726000119

**SAAB**  
genuine parts  
original reservdelar

# 2-C18

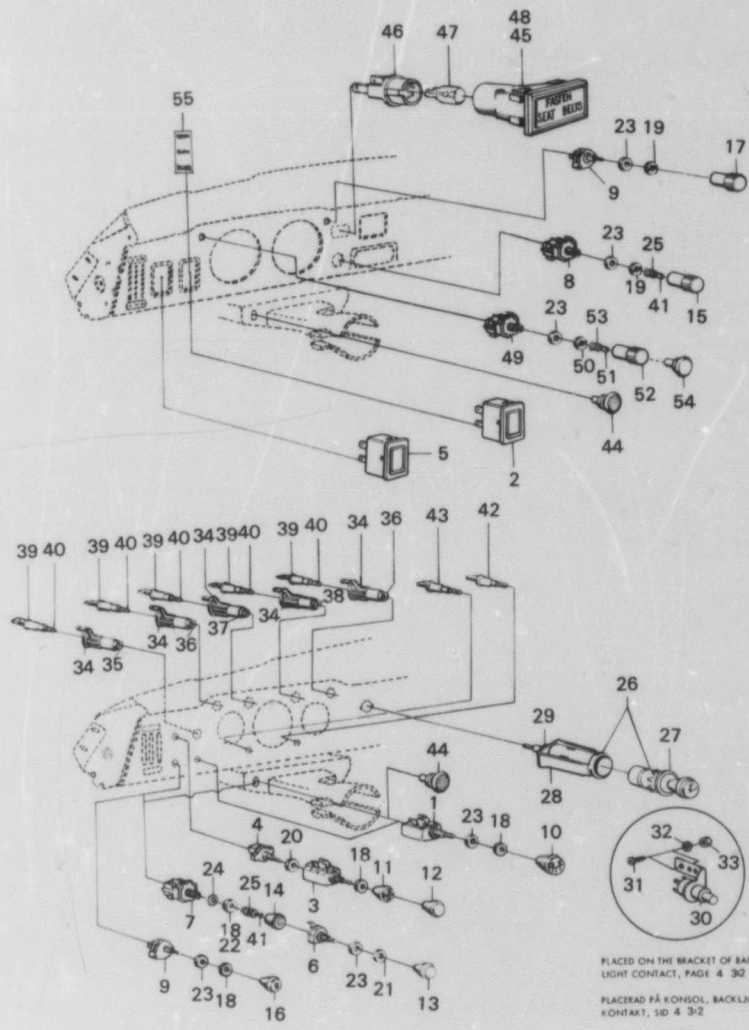
**SAAB V4**  
**M67-80**

**MASTER INDEX**

- 0 General 1-A02
- Complete 1-C02
- 1 Tools 1-F02
- 2 Engine 1-G02
- 3 Electrical System, Instruments 2-A02
- 4 Transmission 2-E02
- 5 Brakes 2-G02
- 6 Front assembly, Steering 2-I02
- 7 Suspension, Wheels 2-J02
- 8 Body 3-A02
- 9 Accessories 3-K02
- 10 Numerical Index 4-A02

**3 GROUP INDEX**

- Battery and battery cables 2-A06
- Ignition system 2-A22
- Lighting 2-B04
- Electrical equipment, other 2-C04
- Wiring and fuses 2-D06



PLACED ON THE BRACKET OF BACK LIGHT CONTACT, PAGE 4 32  
PLACERAD PÅ KONSOLL, BACKLÅUS-KONTAKT, sid 4 3-2

R 3258 - V4

1150 Electric equipment		Elektrisk utrustning		Date	Illustration	Group	Page
Electrical controls and switches		Elektriska manöverdon och kontakter		Dat:rn	Bild nr	Grupp	Sida
				1982-04	R3258	3	65
Fig. Pos.	Part No Art nr	Quantity/Antal		Description	Benämning	K S R	Notes Anmärkning
		96	95				
0020	73 08 257	1	1	Switch, headlights	Strömställare, strålkastare	3	2)
0040	88 53 012	1	1	Switch, headlights	Strömställare, strålkastare	3	82,83,89)
0100							
0120							
0140	88 53 079	1	1	Switch, headlights	Strömställare, strålkastare		84)
0180	88 56 098	1	1	Switch, headlights	Strömställare, strålkastare	3	90)
0200							
0220	73 08 257	1	1	Switch, fan motor	Strömställare, fläktmotor		2)
0240							
0260	70 61 567	1	1	Switch	Strömställare	3	2) CARS WITHOUT HEATER
0280	88 35 258	1	1	Switch, fan motor	Strömställare, fläktmotor	3	82,83,89)
0300							
0320	88 53 087	1	1	Switch, fan motor	Strömställare, fläktmotor		84)
0340							
0380	70 61 567	1	1	Switch, optional extras	Strömställare, extra utrustning	3	
0390							
0400	70 61 567	2		Switch, optional extras	Strömställare, extra utrustning	3	19) DE LUXE US
0420							
0440	70 61 567	3		Switch, optional extras	Strömställare, extra utrustning	3	11,2) DE LUXE US
0460							
0480	73 08 935	1	1	Switch, warning flasher	Strömställare, varningsblikker	0	19) US, AND 96 DE LUXE US, IS DELETED
0500							
0520	73 08 935	1	1	Switch, warning flasher	Strömställare, varningsblikker	0	11, 2) IS DELETED
0540							
0560	85 00 860	1	1	Switch, warning flasher	Strömställare, varningsblikker	4	82)
0580							
0600	85 00 563	1	1	Rheostat switch, instr. panel	Reostatströmställare, instr. panel	3	
0620							
0640	71 56 474	1	1	Knob, headlight switch	Knapp, strömställare, strålkastare		135) IS DELETED
0660							
0680	73 42 314	1	1	Knob, headlight switch	Knapp, strömställare, strålkastare	0	2) IS DELETED
0700							
0780	73 42 280	1	1	Knob, switch fan motor	Knapp, strömställare, fläktmotor	5	128, 2)
0790							
0800	73 08 638	1	1	Knob, without symbol	Knapp utan symbol	5	2) CARS WITHOUT HEATER
0820	73 42 272	1	1	Knob, without symbol	Knapp utan symbol	5	2) CARS WITHOUT HEATER
0840	73 08 638	1	1	Knob, without symbol	Knapp utan symbol		135)
0860	73 42 272	1	1	Knob, without symbol	Knapp utan symbol	5	2)
0880	73 42 272	2		Knob, switch, extra equipment	Knapp, strömställare, extra utrustning	5	18) 96 DE LUXE US
0900							
0920	73 42 272	3		Knob, switch, extra equipment	Knapp, strömställare, extra utrustning	5	11,2) 96 DE LUXE US
0940							
0960	73 08 943	1	1	Knob, warning flasher switch	Knapp, strömställare, varningsblikker		135) US
0980							
1000	73 42 330	1	1	Knob, warning flasher switch	Knapp, strömställare, varningsblikker	0	19) 96 DE LUXE US IS DELETED
1020							
1040	73 42 330	1	1	Knob, warning flasher switch	Knapp, strömställare, varningsblikker	0	11, 2) IS DELETED
1060							
1080							
1100	88 35 787	1	1	Knob, warning flasher switch	Knapp, strömställare, varningsblikker	5	82,83,87)

- 2. Ch. 96.552.869 - 96.074.986
- 11. Ch. 96.521.185-60801030 - 96.065.353-5060635
- 19. Ch. 96.507.018 - 96.062.058
- 82. Ch. 96.560.001 - 60600001 - 96.080.001 - 50600001 -
- 83. Ch. 96.722011237 - 96.722003878 - US only.
- 84. Ch. 96.722011238 - 96.722003878 - US only.
- 86. Ch. 96.720014062 - 96.72004898 - 96.726005138
- 87. Ch. 96.720014062 - 96.72004898 - 96.726005138
- 88. Ch. 96.72007236 - 96.73001222 - 96.786007834 - 96.783002000 - 96.76 6000080
- 90. Ch. 96.772000001 - 96.773000001 - 96.778000001 - 96.773000001 - 96.778000001 -
- 128. Ch. 96.470.001 - 96.52.001 -
- 135. Ch. 96.458.526 - 96.50.197

**SAAB**  
 genuine parts  
 original reservdelar

# 2-C20

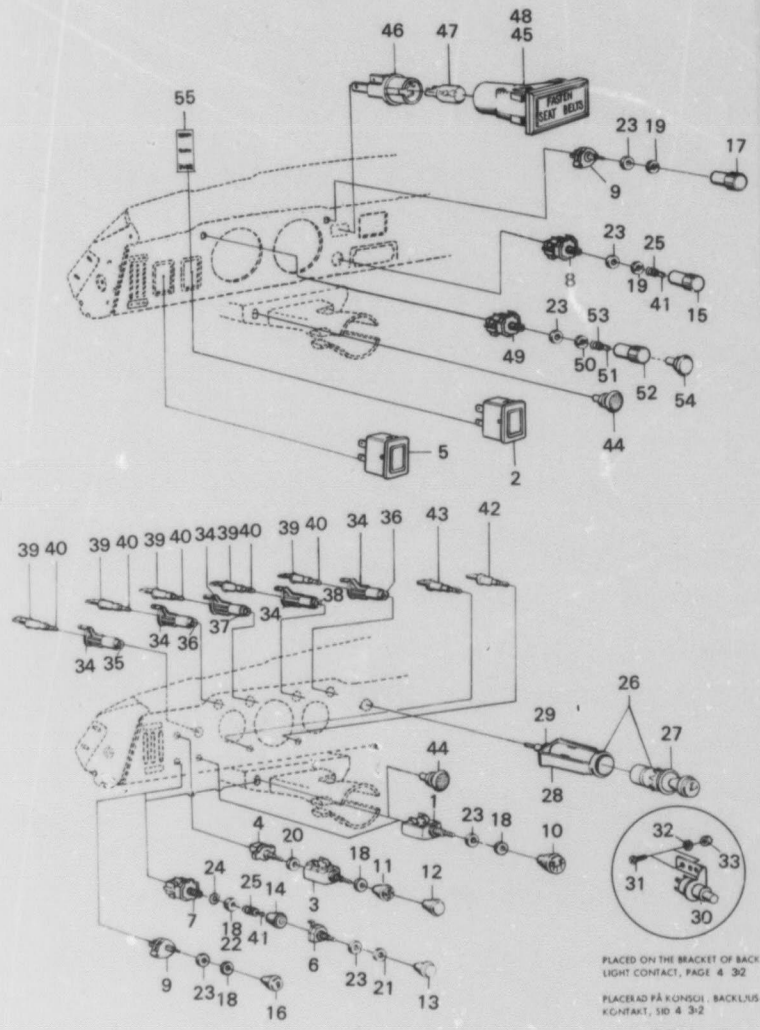
SAAB V4  
 M67-80

MASTER INDEX

0 General	1-A02
Complete	1-C02
1 Tools	1-F02
2 Engine	1-G02
3 Electrical System, Instruments	2-A02
4 Transmission	2-E02
5 Brakes	2-G02
6 Front assembly, Steering	2-I02
7 Suspension, Wheels	2-J02
8 Body	3-A02
9 Accessories	3-K02
10 Numerical index	4-A02

3 GROUP INDEX

Battery and battery cables	2-A06
Ignition system	2-A22
Lighting	2-B04
Electrical equipment, other	2-C04
Wiring and fuses	2-D06



PLACED ON THE BRACKET OF BACK LIGHT CONTACT, PAGE 4 32  
 PLACERAD PÅ RÖRSLIG BACKLUS-KONTAKT, SID 4 3-2

R 3258 - V4

Fig. Pos.		Part No Art nr		Quantity/Antal		Description	Benämning	Notes Anmärkning	
		96	96					K/S	S/R
1120	15	88 53 095	1	1	Knob, warning flasher switch	Knapp, strömställare, varningsblikker		5	84,88)
1140	16	73 42 299	1	1	Knob, rheostat switch instr.-panel	Knapp, reostatströmst. instr.-panel		5	2)
1180	17	88 53 111	1	1	Knob, rheostat switch instr.-panel	Knapp, reostatströmst. instr.-panel		5	82,86)
1200									
1220									
1240	18	85 00 704	3	3	Eye nut	Ringmutter		5	19)
1260	18	85 00 704	4	4	Eye nut	Ringmutter		5	11,2)
1280	19	85 00 704	2	2	Eye nut	Ringmutter		5	82)
1300	20	70 66 988	1	1	Eye nut	Ringmutter		5	2) CARS WITHOUT HEATER
1320	21	70 66 988	1	1	Eye nut	Ringmutter		5	19) 96 DE LUXE US
1340	21	70 66 988	2	2	Eye nut	Ringmutter		5	11,2) 96 DE LUXE US
1360	21	70 66 988	3	3	Eye nut	Ringmutter		5	19) US
1380	22	85 50 704	1	1	Eye nut	Ringmutter		5	2)
1400	23	70 35 249	3	3	Rubber washer	Gummbricka		5	2)
1420	23	70 35 249	2	2	Rubber washer	Gummbricka		5	82)
1440	23	70 35 249	6	6	Rubber washer	Gummbricka		5	2) 96 DE LUXE US
1460	23	70 35 249	1	1	Rubber washer	Gummbricka		5	11,2) RHD
1480	23	70 35 249	1	1	Rubber washer	Gummbricka		5	11,2)
1500	24	79 15 697	1	1	Washer	Bricka		5	19) US, AND 96 DE LUXE US
1520	24	79 15 697	1	1	Washer	Bricka		5	1,2)
1540	24	79 15 697	1	1	Spring, warning flasher switch	Fjäder, strömställare varningsblikker		5	19) US, AND 96 DE LUXE US
1560	25	73 08 992	1	1	Spring, warning flasher switch	Fjäder, strömställare varningsblikker		5	1)
1600	26	73 08 992	1	1	Flasher switch	Varningsblikker		5	4) US, AND DE LUXE VERSIONS
1620	26	73 44 468	1	1	Cigarette lighter	Cigarettändare kpl		5	4) US, AND DE LUXE VERSIONS
1640	26	73 44 468	1	1	Cigarette lighter	Cigarettändare kpl		5	4) US, AND DE LUXE VERSIONS
1680	27	73 44 500	1	1	Pop-out lightning unit	Örlörlig tändarenhet		5	4) US, AND DE LUXE VERSIONS
1700	28	71 56 300	1	1	Attachment bracket	Fästbygel		5	4) US, AND DE LUXE VERSIONS
1720	28	71 56 300	1	1	Attachment bracket	Fästbygel		5	4) US, AND DE LUXE VERSIONS
1740	29	73 30 848	1	1	Nut	Mutter		5	4) US, AND DE LUXE VERSIONS
1760	29	73 30 848	1	1	Nut	Mutter		5	4) US, AND DE LUXE VERSIONS
1780	30	76 14 043	1	1	Contact, back-up lamp	Kontakt, backljus		3	
1800	30	76 14 043	1	1	Contact, back-up lamp	Kontakt, backljus		3	1)
1820	30	76 14 043	1	1	Contact, back-up lamp	Kontakt, backljus		3	R.H.D.
1840	30	76 14 050	1	1	Contact, back-up lamp	Kontakt, backljus		5	19) 96, US AND DE LUXE VERSIONS ALL MARKETS
1860	31	79 34 441	1	1	Screw	Skruv		5	19) 96, US AND DE LUXE VERSIONS ALL MARKETS
1880	32	79 15 556	1	1	Washer	Taggbricka		5	19) 96, US AND DE LUXE VERSIONS ALL MARKETS
1900	32	79 15 556	1	1	Washer	Taggbricka		5	19) 96, US AND DE LUXE VERSIONS ALL MARKETS
1920	33	79 10 474	1	1	Nut	Mutter		5	1) 96, US AND DE LUXE VERSIONS ALL MARKETS
1940	33	79 10 474	1	1	Nut	Mutter		5	1) 96, US AND DE LUXE VERSIONS ALL MARKETS
1960	34	71 96 629	4	4	Casing, control lamp	Hus, indikeringslampa		4	2)
1980	35	71 96 660	1	1	Glass red, oil pressure indicator	Glas rött, ind. lampa oljekontr.		5	135)
2000	35	71 96 660	1	1	Glass red, oil pressure indicator	Glas rött, ind. lampa oljekontr.		5	2) 96, DE LUXE US
2020	35	71 96 660	1	1	Glass red, oil pressure indicator	Glas rött, ind. lampa oljekontr.		5	2)
2040	35	71 96 660	1	1	Glass red, oil pressure indicator	Glas rött, ind. lampa oljekontr.		5	2)
2060	35	73 34 896	1	1	Glass orange, charge indicator lamp	Glas orange, ind. lampa laddning		0	2) IS DELETED
2080	36	73 34 923	1	1	Glass blue, ind. lamp high beam	Glas blått, ind. lampa heljuss		0	1) IS DELETED
2100	37	71 96 662	1	1	Glass blue, ind. lamp high beam	Glas blått, ind. lampa heljuss		0	1) IS DELETED

- 1. Ch. 96.520.001 - 96.065.001 -
- 2. Ch. 96.552.858 - 96.074.986
- 11. Ch. 96.521.185-606/1030. 95.065.353-506/0535.
- 19. Ch. 96.507.018 - 96.042.059
- 82. Ch. 96.560.001 - 606/301 - 96.080.001 - 50600001 -
- 84. Ch. 96.72011238 - 96.723003879 - US only.
- 86. Ch. 96.72011907 - 96.723003869 - 96.728002037 -
- 88. Ch. 96.720114063 - 96.722004860 - 96.728005139 -
- 135. Ch. 96.458.526 - 96.50.197

0 General	1-A02
Complete	1-C02
1 Tools	1-F02
2 Engine	1-G02
3 Electrical System, Instruments	2-A02
4 Transmission	2-E02
5 Brakes	2-G02
6 Front assembly, Steering	2-I02
7 Suspension, Wheels	2-J02
8 Body	3-A02
9 Accessories	3-K02
10 Numerical Index	4-A02

3 GROUP INDEX

Battery and battery cables	2-A06
Ignition system	2-A22
Lighting	2-B04
Electrical equipment, other	2-C04
Wiring and fuses	2-D06

1160

Electric equipment  
Electrical controls  
and switches

Elektrisk utrustning  
Elektriska manöverdon  
och kontakter

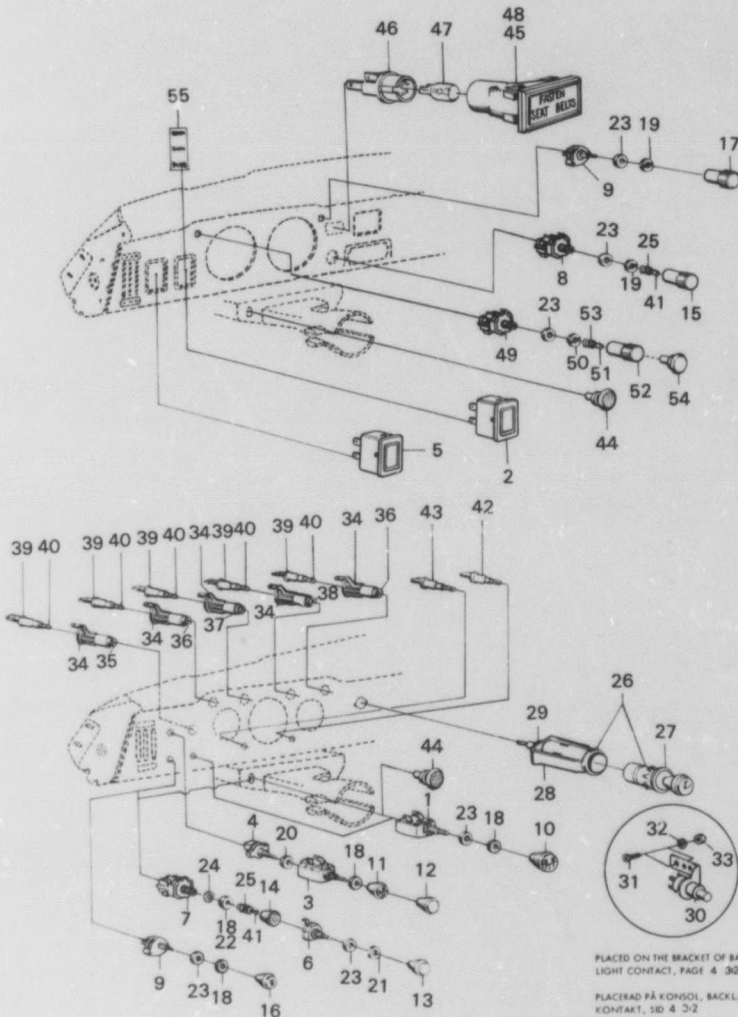
Date  
Datum  
1982-04

Illustration  
Bild nr  
R3258

Group  
Grupp  
3

Page  
Sida  
69

Fig. Pos.	Part No Art nr	Quantity/Antal		Description	Benämning	K S SR / L	Notes Anmärkning
		96	95				
2280	37	73 34 907	1	1	Glass blue, ind. lamp high beam	Glas blått, ind. lampa helljus	2)
2300	38	71 96 645	1	1	Glass orange, charge indic. lamp	Glas orange, ind. lampa laddning	0) 1) IS DELETED
2320	38	73 34 915	1	1	Glass green, flasher indicator lamp	Glas grönt, ind. lampa blinkvisare	2)
2340	39	71 71 846	5	5	Bulb socket, control lamp	Lamphållare, indikeringslampa	4) 135)
2360	39	71 71 846	4	4	Bulb socket, control lamp	Lamphållare, indikeringslampa	4) 2)
2380	39	71 71 846	6	6	Bulb socket, control lamp	Lamphållare, indikeringslampa	4) 2) 96, DE LUXE US
2400	40	70 84 346	5	5	Bulb control lamp	Glödlampa, indikering	2) 40/238 257 000
2420	40	70 84 346	4	4	Bulb control lamp	Glödlampa, indikering	2) 40/238 257 000
2440	40	70 84 346	7	7	Bulb	Glödlampa	2) 96, DE LUXE US 40/238 257 000
2460	41	70 84 346	1	1	Bulb, warning flasher	Glödlampa, strömställare	19) US 40/238 257 000
2480	41	70 84 346	1	1	Bulb, warning flasher switch	Glödlampa, strömställare varningsblink	1) 40/238 257 000
2500	42	71 73 487	1	1	Control lamp, blue, headlights	Indikeringslampa, blått helljus	2) 96, DE LUXE US
2520	43	71 71 879	1	1	Control lamp, red, fuel	Indikeringslampa, röd bränsle	0) 2) 96, DE LUXE US 15) DELETED
2540	44	85 00 878	1	1	Plug	Plugg	5) 19)
2560	44	85 00 878	1	1	Plug	Plugg	5) 82)
2580	45	88 53 764	1	1	Warning lamp, fasten seat belt assy.	Varningelampa, fasten seat belt kpl.	5) 91)
2600	46	88 53 780	1	1	Bulb socket	Lamphållare	4) 81)
2620	47	88 53 772	1	1	Bulb	Glödlampa	4) 91)
2640	48	88 53 962	1	1	Bulb socket	Lamphållare	4) 82)
2660	49	85 00 880	1	1	Switch, electrical rear window	Strömställare, elbakruta	4)
2680	50	85 00 704	1	1	Eye nut	Ringmutter	5)
2700	51	70 84 346	1	1	Bulb	Glödlampa	40/238 257 000
2720	52	88 55 363	1	1	Knob, electrical rear window	Knapp, elbakruta	5) NOT R.H.D.
2740	53	73 08 992	1	1	Spring	Fjäder	5)
2760	54	71 62 306	1	1	Rubber plug	Gummiplugg	5) 93)
2780	55	85 37 011	1	1	Label, light reducing	Textskylt, ljusreducering	5) 90) SW, NO, DK
2800		88 14 998	X	X	Kit, cigarette lighter	Sats, cigarettändare	4) 90) SF



PLACED ON THE BRACKET OF BACK LIGHT CONTACT, PAGE 4 302

PLACERAD PÅ KONTAKT, BAKLJUS-KONTAKT, SID 4 302

R 3258 - V4

1. Ch. 96 520 001 - 95 005 001 -
2. Ch. -96 552 869 - 96 074 896.
19. Ch. -96 507 018 - 95 062 058.
82. Ch. 96 590 001 - 80890001 - 95 080 001 - 50600001 -
90. Ch. 96 7200001 - 96 7200001 - 96 7200001 - 95 77000001 - 95 77000001 -
91. Ch. 96 72011055 - 95 72003879 - US and special markets.
92. For cars without seat belt warning system.
93. Ch. -95 76300200 - 95 76000080
135. Ch. -96 458 526 - 96 50 197

1200

Electrical equipment  
Electrical controls

Elektrisk utrustning  
Elektriska manöverdon

Date  
Datum  
1982-04

Illustration  
Bild nr  
R5168

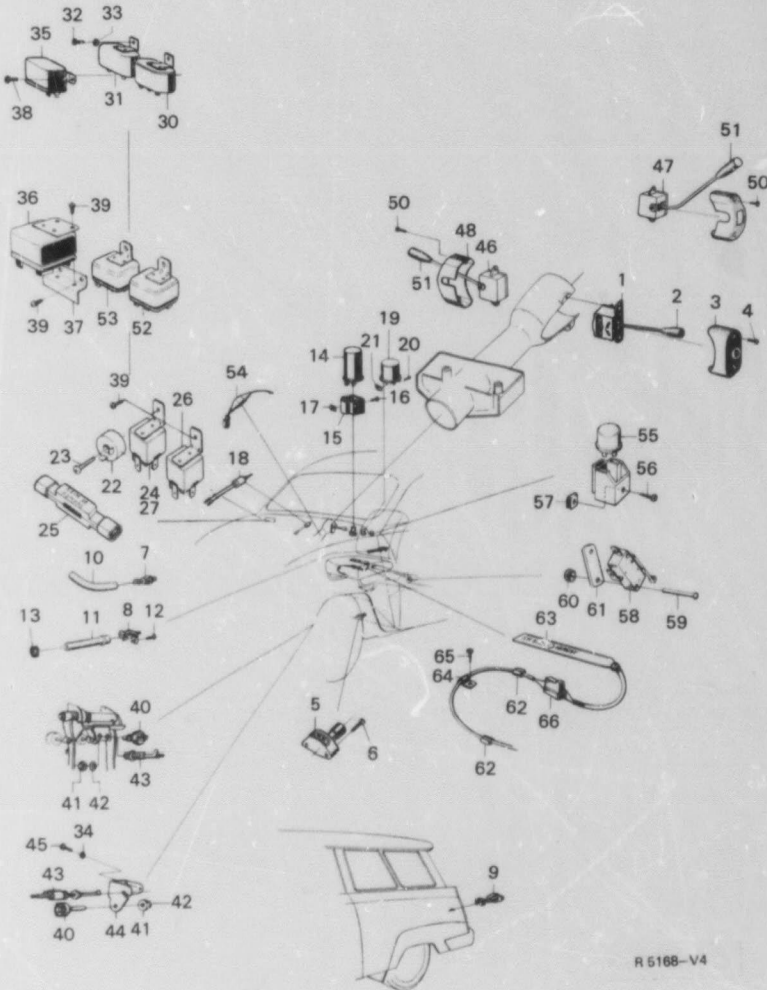
Group  
Grupp  
3

Page  
Sida  
71

Fig. Pos.	Part No Art nr	Quantity/Antal		Description	Benämning	K/S S/R /	Notes Anmärkning
		96	95				
0020	1 88 52 907	1	1	Switch, direction indicator	Strömställare, blinkvisare	2	
0040	2 71 57 035	1	1	Button	Knopp	5 2)	126) IS DELETED
0080	2 73 34 881	1	1	Button	Knopp	5 136)	
0100	2 73 43 909	1	1	Button	Knopp	5 56)	
0120	2 88 52 923	1	1	Button	Knopp	6 82) R.H.D.	
0140	2 73 34 881	1	1	Cover	Kåpa	136) IS DELETED	
0180	2 73 08 380	1	1	Cover	Kåpa	5 49)	
0180	3 73 42 512	1	1	Cover	Kåpa	0 86)	
0200	3 88 52 873	1	1	Cover	Kåpa	0 86)	
0220	4 79 34 189	2	2	Screw	Skruv	5 19)	
0240	5 73 03 951	1	1	Dip switch	Fotomkopplare	5 19)	
0280	6 79 21 927	2	2	Screw	Skruv	3 2) (73 26 275)	
0280	7 85 22 492	2	2	Door switch	Dörrkontakt	3 82)	
0300	8 73 43 890	2	2	Door switch, L.H. door	Dörrkontakt V dörr	3 CH 96 571 705-96 083 472-	
0320	8 73 43 908	1	1	Door switch, RH door	Dörrkontakt H dörr	3 US	
0340	8 73 43 890	1	1	Door switch	Dörrkontakt	3 4)	
0380	9 71 07 170	1	1	Door switch	Dörrkontakt	3 87)	
0420	9 85 22 492	1	1	Door switch	Dörrkontakt	2)	
0440	10 71 29 174	2	2	Protective hose	Skyddssläng	4 82)	
0460	11 88 36 710	2	2	Protective hose	Skyddssläng	5 82)	
0480	12 79 46 742	4	4	Screw	Skruv	5 CH 433 859-96 46 071-95.	
0500	13 79 61 329	2	2	Grommet	Genomföringsbussning	0	
0520	14 73 08 984	1	1	Flasher	Blinkdon	2 95)	
0540	14 85 17 088	1	1	Flasher unit, electronic	Blinkdon, elektronisk	5 1)	
0580	15 71 57 233	1	1	Housing	Hus	5 3)	
0620	15 85 03 112	1	1	Housing	Hus	5 3)	
0640	16 79 22 736	1	1	Screw	Skruv	5 3)	
0660	17 79 19 574	1	1	Clip	Clip	5 3)	
0680	18 88 36 578	1	1	Contact for buzzer	Summerkontak	6 CH 96 571 705-95 083 472-	
0700	18 88 36 686	1	1	Buzzer	Summer	5 US	
0710	20 79 22 735	1	1	Screw	Skruv	3	
0720	21 79 19 574	1	1	Clip	Clip	5 94 98 80)	
0740	22 85 30 859	1	1	Resistance, light reducing	Motstånd, ljusreducering	5 90, 103) SF, NO	
0760	22 85 30 859	1	1	Resistance, light reducing	Motstånd, ljusreducering	5 94, 98, 99)	
0780	22 85 30 859	1	1	Resistance, light reducing	Motstånd, ljusreducering		
0800	22 85 30 859	1	1	Resistance, light reducing	Motstånd, ljusreducering		
0820	22 85 30 859	1	1	Resistance, light reducing	Motstånd, ljusreducering		
0840	22 85 30 859	1	1	Resistance, light reducing	Motstånd, ljusreducering		
0860	22 85 30 859	1	1	Resistance, light reducing	Motstånd, ljusreducering		
0880	22 85 30 859	1	1	Resistance, light reducing	Motstånd, ljusreducering		
0900	22 85 30 859	1	1	Resistance, light reducing	Motstånd, ljusreducering		

1. Ch. 96 520 001 - 95 085 001 -
2. Ch. 96 552 859 - 95 074 986
4. Ch. 96 582 844 - 60601540 - 95 086 371 - 50600838
10. Ch. 96 507 018 - 95 082 059
49. Ch. 470 001 - 96 52 001 - 95
58. Ch. 9672200001 - 9672600001 - 9572200001 - 9572600001 -
82. Ch. 96 560 001 - 60600001 - 95 080 001 - 50500001 -
90. Ch. 9672200001 - 9672600001 - 9572200001 - 9572600001 -
94. Scandinavia and special markets.
95. Ch. 96732012500 - US
97. Ch. 96742012849 - 95742005555 - 96748004542 -
98. Ch. 96752010045 - 95753001200 -
99. Ch. 96762005545 - 96763001188 - 95763001939
103. Ch. 96773009922 - 96776009247 - 96773003140
135. Ch. 96 458 526 - 95 50 137
138. Ch. 96 827 413 - 61602638 - 95 102 180 - 51901185

R 5168-V4



0 General Complete	1-A02 1-C02
1 Tools	1-F02
2 Engine	1-G02
3 Electrical System, Instruments	2-A02
4 Transmission	2-E02
5 Brakes	2-G02
6 Front assembly, Steering	2-I02
7 Suspension, Wheels	2-J02
8 Body	3-A02
9 Accessories	3-K02
10 Numerical Index	4-A02
<b>3 GROUP INDEX</b>	
Battery and battery cables	2-A06
Ignition system	2-A22
Lighting	2-B04
Electrical equipment, other	2-C04
Wiring and fuses	2-D06

1180	Embrayage, disque	4: 5	2-E06
1200	Commande d'embrayage	4: 7	2-E08
1240	Pédale, maître-cylindre, cylindre esclave		
1280			
1300	Boîte de vitesses	4: 11	2-E12
1320	Cartier et couvercle de boîte de vitesses	4: 17	2-E18
1340	Fourchette d'embrayage, butée de débrayage, etc	4: 19	2-E20
1360	Arbres, pignons, fourchettes entraîne-vitesse	4: 25	2-F02
1380	Differential, joint cardan intérieur		

SAAB  
genuine parts  
original reservdelar

# 2-D02

SAAB V4  
M67-80

## MASTER INDEX

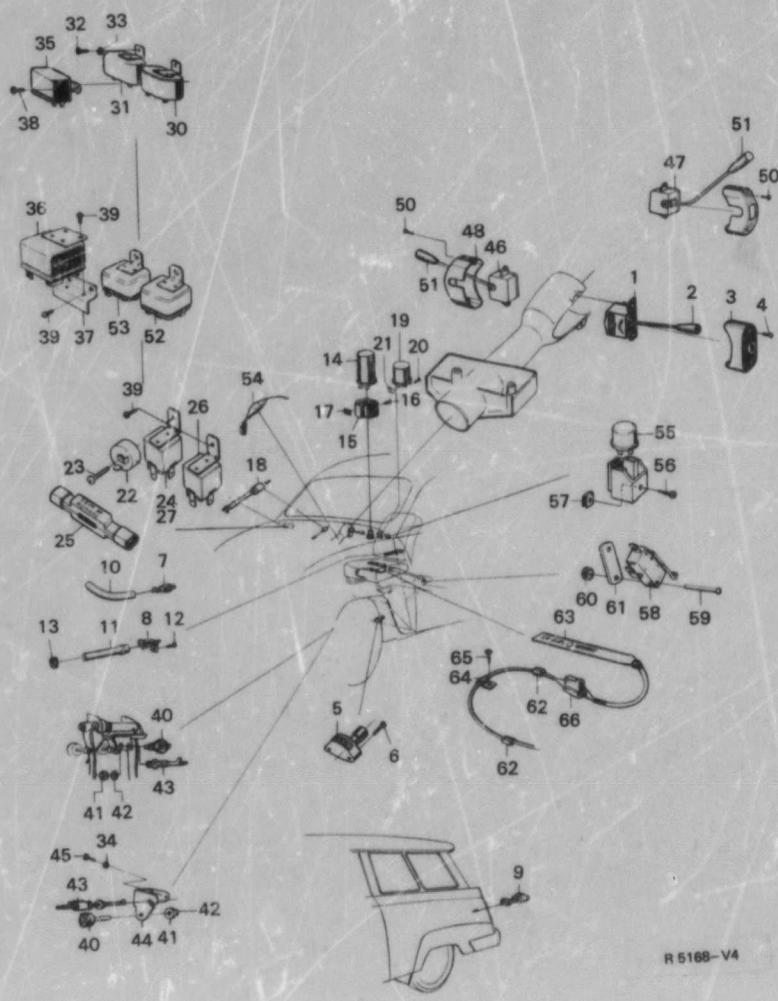
0	General	1-A02
	Complete	1-C02
1	Tools	1-F02
2	Engine	1-G02
3	Electrical System, Instruments	2-A02
4	Transmission	2-E02
5	Brakes	2-G02
6	Front assembly, Steering	2-I02
7	Suspension, Wheels	2-J02
8	Body	3-A02
9	Accessories	3-K02
10	Numerical Index	4-A02
3	GROUP INDEX	
	Battery and battery cables	2-A06
	Ignition system	2-A22
	Lighting	2-B04
	Electrical equipment, other	2-C04
	Wiring and fuses	2-D06

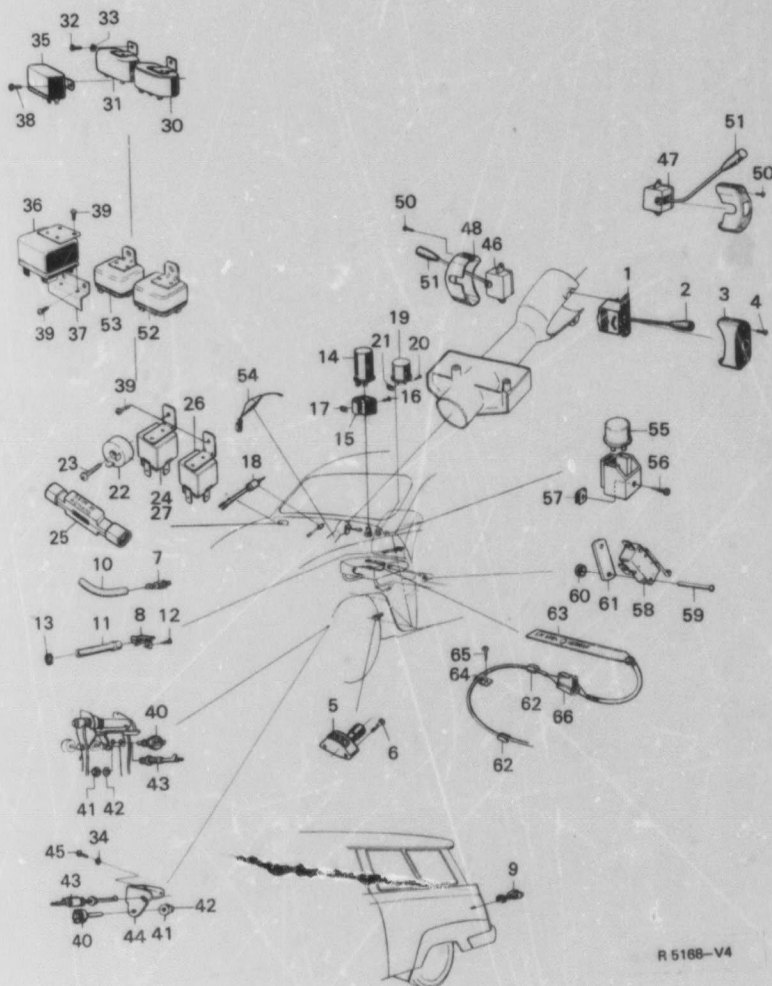
1200	Electrical equipment	Elektrisk utrustning	Date Datum	Illustration Bild nr	Group Grupp	Page Sida
	Electrical controls	Elektrisk manövrering	1982-04	R5168	3	73

Fig. Pos.	Part No Art nr	Quantity/Antal		Description	Benämning	K/S	Notes Anmärkning
		96	95				
0080	22	85 33 234	1	Resistance, light reducing	Motstånd, ljusreducering	5	100,101 SW
0600	22	85 39 612	1	Resistance, light reducing	Motstånd, ljusreducering	5	101,103 SW
0940	22	85 52 028	1	Resistance, light reducing	Motstånd, ljusreducering	5	104) SF, NO, SW
0980	23	79 22 446	1	Screw	Skruv	5	94,98
1000	24	85 54 820	1	Relay	Relä	4	94,98,0
1020	24	85 56 072	1	Relay	Relä	4	94,98,0
1040	25	85 30 956	1	Diode	Diod	5	94,98,0
1060	26	98 56 130	1	Relay, electrical rear window	Relä, elbakruta	5	9) NOT RHD
1140	27	88 56 106	1	Relay, wiper/ headlight	Relä, strålkastartorkare	3	80)
1180	30	73 03 324	1	Control relay, head-lights	Manöverrelä, ljus	5	19) RHD
1200	31	73 03 332	1	Dimmer control relay	Avbländningsrelä, ljus	5	2) RHD
1240	32	75 22 891	2	Washer	Bricka	5	RHD
1260	33	79 15 564	1	Washer	Bricka	5	1, 4)
1280	33	79 15 504	2	Washer	Bricka	5	5)
1300	34	79 15 556	2	Washer	Bricka	5	RHD
1340	36	73 26 119	1	Control relay, high beam flash	Manöverrelä, ljus-signal	5	19) NOT US
1400	25	73 03 332	1	Dimmer control relay, head lights	Avbländningsrelä, ljus	5	1, 2)
1420	36	85 07 560	1	Headlights relay	Ljusrelä	80)	
1440	36	85 25 044	1	Headlights relay	Ljusrelä	87,105)	
1460	36	85 02 116	1	Headlight relay	Ljusrelä	2,106)	
1500	37	73 43 916	1	Bracket	Konsol	6	82)
1520	38	79 22 891	2	Screw	Skruv	5	1) NOT US
1540	38	79 22 891	1	Screw	Skruv	5	1, 2)
1560	39	79 22 420	8	Screw	Skruv	5	
1580	40	73 34 642	1	Stop light switch	Bromsljus kontakt	3	
1600	41	73 34 741	1	Nut	Mutter	5	
1620	42	73 34 733	1	Washer	Bricka	5	
1640	43	73 34 624	1	Bracket	Fäste	0	1)
1660	44	89 08 461	1	Brake warning contact	Bromsvarningskontakt	5	1)
1680	45	79 34 425	2	Switch, wind-shield wiper/washer, signal	Strömställare, vindrutetorkare/ spolare, signal	5	1)
1700	46	73 34 857	1			3	2)
1720							
1740							

1. Ch. 98 520 601 - 95 095 001 -
2. Ch. 96 552 850 - 95 074 896
3. Ch. 96 582 844 - 06801540 - 95 088 371 - 50630830
4. Ch. 96 000 001 - 61900001 - 95 095 001 - 51600001
5. Ch. 96 520 15165 - 96 750007419 - 95 752002046 - 95 73003018 - 55 756000281
6. Ch. 96 752015165 - 96 750007419 - 95 752002046 - 95 73003018 - 55 756000281
7. Ch. 96 752060001 - 96 782000001 - 96 786000001 - 95 73080001 - 95 763000001 - 95 768000001 -
8. Ch. 96 507 018 - 95 362 038
9. Ch. 96 590 001 - 95 095 001 - 95 090 001 - 508000001 -
10. Ch. 95 73007236 - 96 73001222 - 96 78007834 - 95 763002000 - 95 760000000
11. Ch. 95 72000001 - 95 73000001 - 95 73000001 - 95 73000001 - 95 73000001 -
12. Scania and special markets
13. Ch. 95 742012848 - 95 742005554 - 95 746004541
14. Ch. 95 742012848 - 95 742005554 - 95 746004542 -
15. Ch. 95 752010945 - 95 753001200 -
16. Ch. 96 782005546 - 95 73001190 - 95 763001948 -
17. Ch. 95 73007553 - 95 73003498
18. Ch. 95 73008622 - 95 73000247 - 95 73003140
19. Ch. 95 730000031 - 95 786000001 - 95 783000001 -
20. Ch. 95 73000076 - 95 783000511 - 95 783000073 -
21. Ch. 95 762003077 - 95 763000512 - 95 763000780 -

R 5168 - V4





1200

Electrical equipment  
Elektriska manöverdon

Elektrisk utrustning  
Elektriska manöverdon

Date  
Datum 1982-04

Illustration  
Bild nr R5168

Group  
Grupp 3

Page  
Sida 75

Fig. Pos.	Part No Art nr	Quantity/Antal		Description	Benämning	K/S S/R	Notes Anmärkning
		96	95				
1760	46	86 52 915	1	1	Switch, windshield wiper/washer	S	Strömställare, vindrutetorkare/spolare
1780	47	73 42 132	1	1	Switch, windshield wiper/washer, signal	S	Strömställare, vindrutetorkare/spolare signal
1820							
1840	47	88 52 931	1	1	Switch, windshield wiper/washer	S	Strömställare, vindrutetorkare/spolare
1860							
1940	45	73 34 885	1	1	Cover	S	Kåpa
1960	48	88 36 884	1	1	Cover	S	Kåpa
2000	50	79 22 651	4	4	Screw	S	Skruv
2020	51	73 34 873	1	1	Button	S	Knapp
2040	51	73 43 817	1	1	Button	S	Knapp
2060	51	55 11 214	1	1	Button	S	Knapp
2080	51	73 34 873	1	1	Button	S	Knapp
2100	52	85 07 708	1	1	Relay, wiper head-light	S	Relä, strålkast.
2120							
2140	53	85 07 717	1	1	Control relay	S	Manöverrelä
2180	54	85 07 725	1	1	Diode	S	Diöd
2180	56	85 36 686	1	1	Buzzer, seat belt warning	S	Summer, bältesvarning
2200							
2220	56	79 22 735	1	1	Screw	S	Skruv
2240	57	79 19 574	1	1	Clip	S	Klip
2280	58	85 13 525	1	1	Handbrake contact	S	Handbromskontakt
2280	58	79 44 077	2	2	Rivet	S	Nit
2300	60	79 85 839	2	2	Clip	S	Klip
2320	61	88 53 848	1	1	Washer	S	Bricka
2340	62	79 33 443	2	2	Cable clip	S	Kabelclip
2360	63	88 53 805	1	1	Switch, seat cushion	S	Sitskontakt
2380	63	88 53 954	1	1	Switch, seat cushion	S	Sitskontakt
2400	63	85 19 670	1	1	Switch, seat cushion	S	Sitskontakt
2420	64	83 71 551	1	1	Cable clamp	S	Kabelklamma
2440	85	79 22 347	1	1	Screw	S	Skruv
2460	86	71 35 098	1	1	Connector 2 pol	S	Skarvhus 2 pol

0 General	1-A02
Complete	1-C02
1 Tools	1-F02
2 Engine	1-G02
3 Electrical System, Instruments	2-A02
4 Transmission	2-E02
5 Brakes	2-G02
6 Front assembly, Steering	2-I02
7 Suspension, Wheels	2-J02
8 Body	3-A02
9 Accessories	3-K02
10 Numerical Index	4-A02

3 GROUP INDEX

Battery and battery cables	2-A06
Ignition system	2-A22
Lighting	2-B04
Electrical equipment, other	2-C04
Wiring and fuses	2-D06

R 5168-V4

- 2. Ch.-96.552.858.-95.074.986.
- 5. Ch. 96.600.001.-61600001.-95.095.001.-51600001
- 48. Ch. 470.001.-96.52.001.-95
- 58. Ch. 9672200001.-9672600001.-9772000001.-95726000001-
- 60. Ch. 96742000001.-96746000001.-96742000001.-96746000001-
- 82. Ch. 96.560.001.-80600001.-95.093.001.-50600001-
- 90. Ch. 96772000001.-96773000001.-96776000001.-96773000001.-96776000001-
- 94. Scandinavia and special markets.
- 107. Some markets.
- 108. Ch. 96722011655.-95722003879.- US and some markets.
- 136. Ch.-96.627.413.-61602639.-95.102.180.-51601166

- 3. Ch.-471.006, 50-52.229, 95.
- 4. Ch. 471.007-96, 52.230-95.
- 6. Ch. 96752064210-96762000874-96753000485-96753001813-

**SAAB**  
genuine parts  
original reservdelar

## 2-D06

SAAB V4  
M67-80

### MASTER INDEX

- 0 General 1-A02
- Complete 1-C02
- 1 Tools 1-F02
- 2 Engine 1-G02
- 3 Electrical System, instruments 2-A02
- 4 Transmission 2-E02
- 5 Brakes 2-G02
- 6 Front assembly, steering 2-I02
- 7 Suspension, Wheels 2-J02
- 8 Body 3-A02
- 9 Accessories 3-K02
- 10 Numerical Index 4-A02

### GROUP INDEX

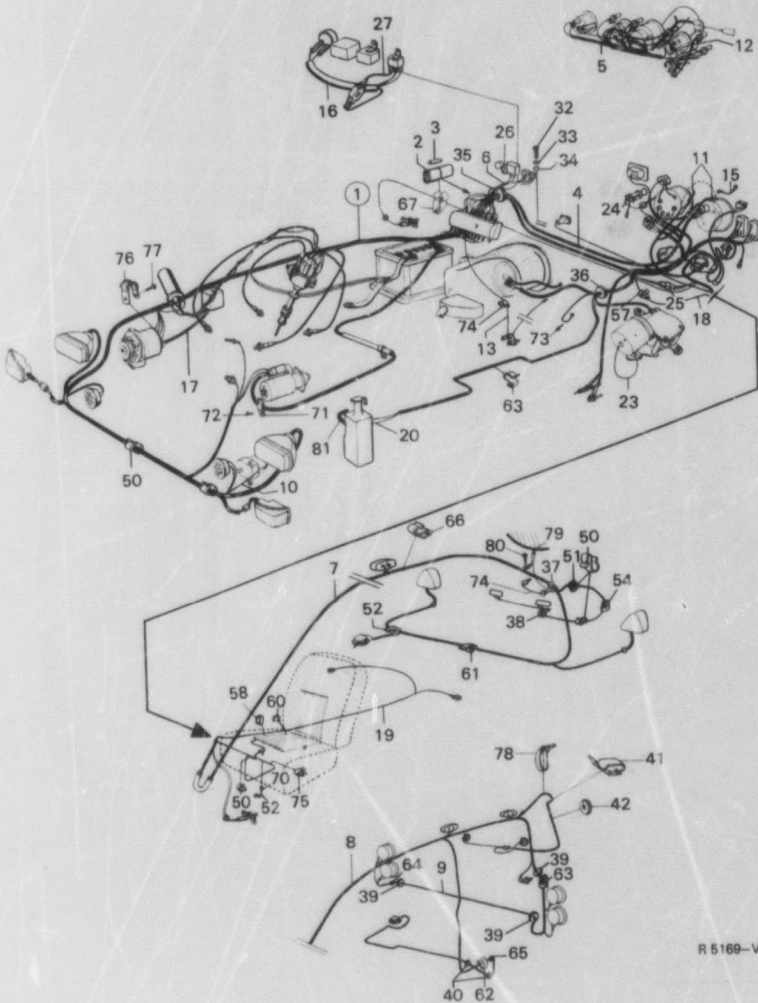
- Battery and battery cables 2-A06
- Ignition system 2-A2
- Lighting 2-B04
- Electrical equipment, other 2-C04
- Wiring and fuses 2-D06

1250

<b>Wiring and fuses</b> Wirings, terminals etc.		<b>Ledningar och säkringar</b> Ledningar, kopplingar etc		Date Datum	Illustration Bild nr	Group Grupp	Page Sida
				1982-04	R5169	3	77

Fig. Pos.	Part No Art nr	Quantity/Antal		Description	Benämning	K/S S/R L	Notes Anmärkning
		96	95				
0020	1 88 01 979	1	1	Cable network, front	Ledningsnät, f. ämre	0	135)
0040	1 88 04 896	1	1	Cable network, front	Ledningsnät, främre	5	19)
0060	1 88 08 610	1	1	Cable network, front	Ledningsnät, främre	5	1,2)
0080	1 88 36 272	1	1	Cable network, front	Ledningsnät, främre	5	109,4)
0100	1 88 36 272	1	1	Cable network, front	Ledningsnät, främre	5	5, 136, 111)
0120	1 88 52 683	1	1	Cable network, front	Ledningsnät, främre	5	58,111,8)
0140	1 88 54 242	1	1	Cable network, front	Ledningsnät, främre	5	111,7,88)
0160	1 88 52 600	1	1	Cable network, front	Ledningsnät, främre	5	5, 136, 110)
0180	1 83 52 669	1	1	Cable network, front	Ledningsnät, främre	5	58,110,8)
0200				assy.	kpl.		
0220	1 88 54 234	1	1	Cable network, front	Ledningsnät, främre	5	110,7,88)
0240				assy.	kpl.		
0260	1 88 55 943	1	1	Cable network, front	Ledningsnät, främre	5	110,90)
0280				assy.	kpl.		
0300	2 85 08 053	1	1	Fuse holder	Säkringsbehållare	4	5,110)
0320	3 85 09 495			Fuse 3A	Säkring 3A	0	135)
0340	4 88 01 997	1	1	Cable network, center	Ledningsnät, mitre	5	19)
0360	4 88 04 874	1	1	Cable network, center	Ledningsnät, mitre	5	1,2)
0380	4 88 08 628	1	1	Cable network, center	Ledningsnät, mitre	5	109)
0400	4 88 36 280	1	1	Cable network, center	Ledningsnät, mitre	5	5,58)
0420	4 88 52 618	1	1	Cable network, center	Ledningsnät, mitre	5	80,8)
0440	4 88 54 191	1	1	Cable network, center	Ledningsnät, mitre	5	9,88)
0460	4 88 55 736	1	1	Cable network, center	Ledningsnät, mitre	5	92,103)
0480	4 88 55 808	1	1	Cable network, center	Ledningsnät, mitre	5	104)
0490	4 72 84 907	1	1	Cable network, center	Ledningsnät, mitre	5	95)
0500	4 88 54 077	1	1	Cable network, center	Ledningsnät, mitre	0	135) RHD
0520	4 88 02 357	1	1	Cable network, center	Ledningsnät, mitre	1	19) R.H.D.
0540	4 73 42 041	1	1	Cable network, center	Ledningsnät, mitre	1,2)	RHD, IS DELETED
0560	4 88 08 969	1	1	Cable network, center	Ledningsnät, mitre	0	109) RHD, IS DELETED
0580	4 88 36 322	1	1	Cable network, center	Ledningsnät, mitre	5	5,58) R.H.D.
0600	4 88 52 626	1	1	Cable network, center	Ledningsnät, mitre	5	80,8) R.H.D.
0620	4 88 54 119	1	1	Cable network, center	Ledningsnät, mitre	5	9,88) R.H.D.
0640	4 88 55 744	1	1	Cable network, center	Ledningsnät, mitre	5	103)
0660	4 88 55 878	1	1	Cable network, center	Ledningsnät, mitre	5	103) RHD
0680	5 88 01 995	1	1	Cable network	Ledningsnät	0	135)
0700				instrument panel	instrumentpanel		
0720	5 88 04 882	1	1	Cable network	Ledningsnät	0	2)
0740				instrument panel	instrumentpanel		
0760	5 88 08 255	1	1	Cable network	Ledningsnät	5	19) DE LUXE, US ONLY
0780				instrument panel	instrumentpanel		

- 1. Ch. 96.520.001-95.065.001-
- 2. Ch.-96.552.859.-95.074.595
- 4. Ch.-96.592.844.-96.01540.-95.088.371-508008R
- 5. Ch. 96.520.001-81600001-95.095.001-51800001
- 6. Ch.-96742012725-08746005805-95742008620-95746000165
- 7. Ch. 96752000001-86758000001-96752000001-96756100001-
- 8. Ch.-96752015165-96756007419-96752002048-96753003018-96756000281
- 9. Ch. 96752080001-96762000001-96768000001-96753000001-96763000001-96768000001-
- 19. Ch.-96.507.018.-95.062.058.
- 58. Ch. 96720000001-96728000001-96720000001-96728000001-
- 59. Ch.-9673023028-96739008344-96732007787-9672800018E
- 60. Ch. 96742000001-96743000001-96742000001-96746000001-
- 88. Ch.-96762007238-96761001222-96766007634-96763002000-96766000860
- 90. Ch. 96720000001-96773000001-96778000001-96773000001-96778000001-
- 103. Ch.-9677300822-96776109247-96773003140
- 109. Ch. 95.560.001-60800001-95.080.001-50800001-
- 110. For cars with headlight wipers and washers.
- 111. For cars without headlight wipers and washers.
- 135. Ch.-96.458.526.-95.50.197
- 136. Ch.-96.627.413.-81602639.-95.102.180.-51801165



R 5169-V4

- 8. Ch 96.520.001 - 95.065.001. LHD
- 9. Ch -96.552.859 - 95.074.986. RHD
- 10. Ch 96.560.001 - 95.080.001 - RHD
- 11. Ch 96.584.001 - 95.086.319 -
- 46. Ch -507.016.96 - 62.059.95
- 48. Ch 96.520.001 - 95.065.001 -

**SAAB**  
genuine parts  
original reservdelar

# 2-D08

**SAAB V4**  
**M67-80**

**MASTER INDEX**

- 0 General 1-A02
- Complete 1-C02
- 1 Tools 1-F02
- 2 Engine 1-G02
- 3 Electrical System, Instruments 2-A02
- 4 Transmission 2-E02
- 5 Brakes 2-G02
- 6 Front assembly, Steering 2-I02
- 7 Suspension, Wheels 2-J02
- 8 Body 3-A02
- 9 Accessories 3-K02
- 10 Numerical index 4-A02

**3 GROUP INDEX**

- Battery and battery cables 2-A06
- Ignition system 2-A22
- Lighting 2-B04
- Electrical equipment, other 2-C04
- Wiring and fuses 2-D06

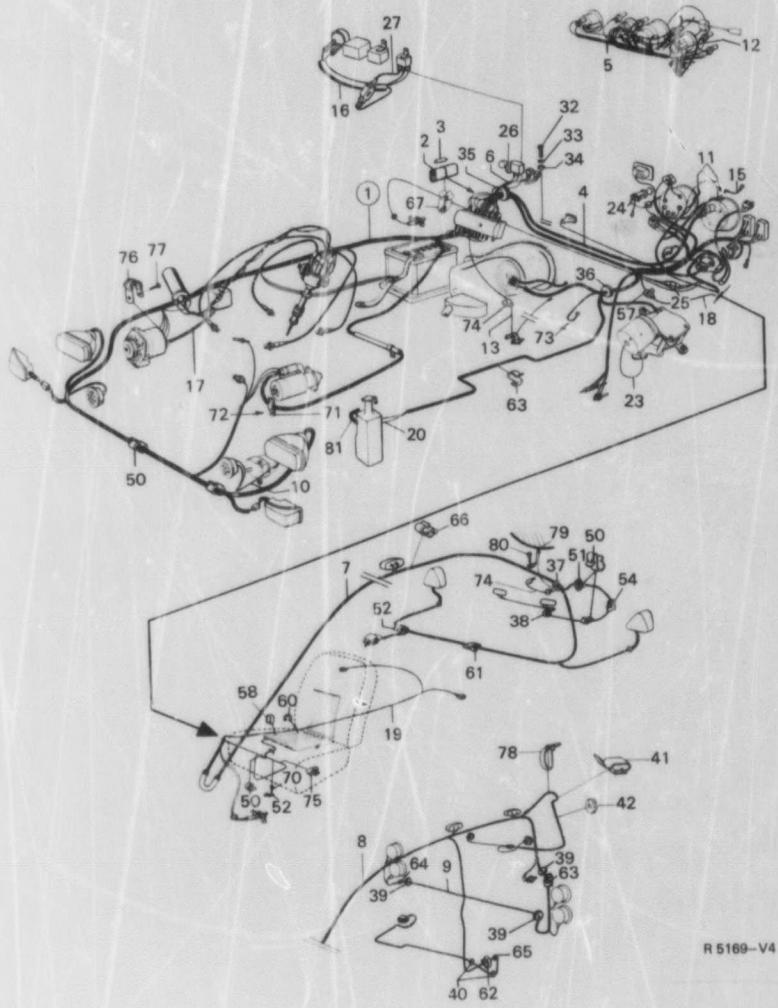
1250

Wiring and fuses		Ledningar och säkringar		Date	Illustration	Group	Page
Wirings, terminals etc.		Ledningar, kopplingar etc		Datum	Bild nr	Grupp	Sida
				1982-04	R5169	3	79

Fig. Pos.	Part No Art nr	Quantity/Antal		Description	Benämning	K/S	Notes Anmärkning
		96	95				
0300	5	88 06 677	1	Cable network, instrument panel	Ledningsnät, instrumentpanel		5 1) CH - 536 428.96 DE LUXE US 119) NOT US
0621	6	73 26 135	1	Cable network, head-lamp flash relay	Ledningsnät, manöverrelä helljusblinker		0 18) IS DELETED
0620	7	73 09 644	1	Cable network, rear	Ledningsnät, bakre		5 1,2)
0960	7	88 08 644	1	Cable network, rear	Ledningsnät, bakre		5 106,8)
0960	7	88 55 298	1	Cable network, rear	Ledningsnät, bakre		5 9,103)
0920	7	73 09 651	1	Cable network, rear	Ledningsnät, bakre		18) US AND DE LUXE, IS DELETED
0921	7	88 08 735	1	Cable network, rear	Ledningsnät, bakre		1,2) US AND DE LUXE
0940	7	88 36 330	1	Cable network, rear	Ledningsnät, bakre		5 106,8) US AND DE LUXE
0960	7	88 55 769	1	Cable network, rear	Ledningsnät, bakre		5 104)
1000	7	72 64 771	1	Cable network, rear	Ledningsnät, bakre		0 1,2) IS DELETED
1040	8	72 38 062	1	Cable network, rear	Ledningsnät, bakre		5 82,58)
1080	8	72 86 158	1	Cable network, rear	Ledningsnät, bakre		5 60,8)
1100	8	88 54 135	1	Cable network, rear	Ledningsnät, bakre		5 9,88)
1100	8	88 55 777	1	Cable network, rear	Ledningsnät, bakre		5 90)
1120	8	88 55 884	1	Cable network, rear	Ledningsnät, bakre		0 18) IS DELETED
1140	8	72 50 731	1	Cable network, rear bumper	Ledningsnät, bakre stötcångare		
1160	9	72 50 070	1	Cable licence plate	Kabel nummerbelysning		6 1,8)
1180	9	88 55 553	1	Cable licence plate	Kabel nummerbelysning		6 8,89)
1200	9	88 55 892	1	Cable licence plate	Kabel nummerbelysning		6 90)
1240	10	85 07 436	1	Cable headlight wiper	Kabel strålk. torkare		5 5, 136, 110)
1260	11	73 08 877	1	Cable bunch, direct-indic. switch	Kabelknippe, omkopplare blinkvisare		0 136) IS DELETED
1300	11	88 04 890	1	Cable bunch, steering column	Kabelknippe, rattlagring		6 19)
1320	11	88 06 951	1	Cable bunch, steering column	Kabelknippe, rattlagring		6 82,4)
1340	11	88 06 951	1	Cable bunch, steering column	Kabelknippe, rattlagring		6 82, 136)
1380	11	88 36 348	1	Cable bunch, steering column	Kabelknippe, rattlagring		6 58,59)
1400	11	88 52 667	1	Cable bunch, steering column	Kabelknippe, rattlagring		6 60,3)
1420	11	88 54 127	1	Cable bunch, steering column	Kabelknippe, rattlagring		6 9)
1460	11	88 55 801	1	Cable bunch, steering column	Kabelknippe, rattlagring		0 18) US, IS DELETED
1500	11	88 55 801	1	Cable bunch, steering column	Kabelknippe, rattlagring		
1520	12	73 08 976	1	Cable bunch, steering column	Kabelknippe, rattlagring		
1540	13	73 34 311	1	Cable bunch, back-up lamp	Kabelknippe, backljus-kontakt		8 US AND DE LUXE
1560							
1580							
1600							

- 1. Ch. 96.520.001 - 95.065.001 -
- 2. Ch. -96.552.859 - 95.074.986.
- 4. Ch. -96.582.844 - 60601540 - 95.088.371 - 50600838.
- 5. Ch. 96.800.001 - 51600001 - 95.065.001 - 51600001
- 8. Ch. -96752015105 - 96756007419 - 96752002046 - 96753003018 - 96756000281
- 9. Ch. 96752000001 - 96762000001 - 96766000001 - 96753060001 - 96763000001 - 96766000001 -
- 19. Ch. -96.507.018 - 95.062.060
- 58. Ch. 96722000001 - 96728000001 - 96722000001 - 96728000001 -
- 58. Ch. -9673202028 - 96736000344 - 96732007767 - 96728000186
- 60. Ch. 96742000001 - 96746000001 - 96742000001 - 96746000001 -
- 82. Ch. 96.580.001 - 80600001 - 95.080.001 - 50600001 -
- 88. Ch. -96762007239 - 96763001222 - 96766007634 - 96763007000 - 96766000080
- 90. Ch. 96772000001 - 96773000001 - 96776000001 - 96773000001 - 96776000001 -
- 103. Ch. -96773006922 - 96776006247 - 96773003140
- 104. Ch. 96783000001 - 96786000001 - 96783000001 -
- 109. Ch. 96.580.001 - 80600001 - 80600001 - 95.080.001 - 506000001 -
- 110. For cars with headlight wipers and washers.
- 135. Ch. -96.458.526 - 95.50.197
- 136. Ch. -96.827.413 - 61602639 - 95.102.180 - 51801165

R 5169-V4





**SAAB**  
 genuine parts  
 original reservdelar

# 2-D10

SAAB V4  
 M67-80

MASTER INDEX

1250

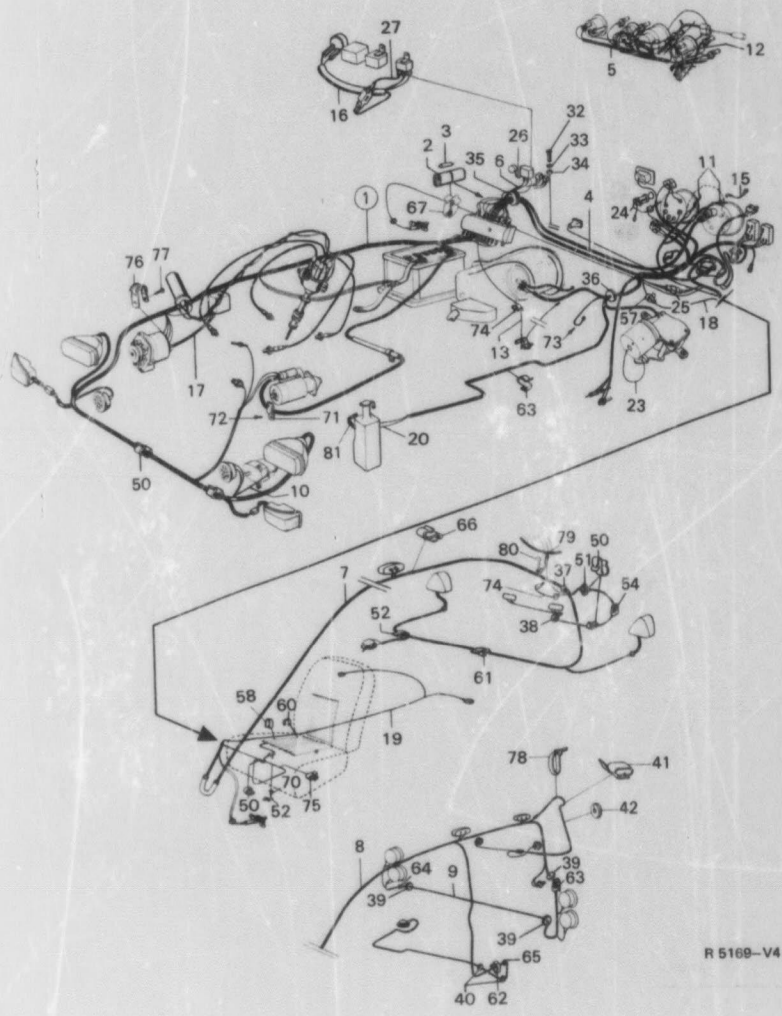
Wiring and fuses Wirings, terminals etc.		Ledningar och säkringar Ledningar, kopplingar etc		Date Datum	Illustration Bild nr	Group Grupp	Page Sida
				1982-04	R5163	3	81

Fig. Pos.	Part No Art nr	Quantity/Åntal		Description	Benämning	K S R L	Notes Anmärkning
		96	95				
1620	73 34 311	1		Cable bunch, back-up lamp	Kabelknippe, backljus-kontakt	6	19) US
1640	73 34 311	1		Cable bunch, back-up lamp	Kabelknippe, backljus-kontakt	6	1.8)
1660	88 55 793	1	1	Cable bunch, back-up lamp	Kabelknippe, backljus-kontakt	6	9,89)
1700	89 55 926	1	1	Cable bunch, back-up lamp	Kabelknippe, backljus-kontakt	6	90)
1720	88 54 051	1		Cable, control, switches light	Kabel, reglagebelysning	5	95)
1740	85 54 089	1		Grounding, cable, control switches light	Jordkabel, reglagebelysning	6	95)
1760	89 55 561	1	1	Cable bunch, light reducing	Kabelknippe, ljus-reducering	5	112.8)
1780	73 26 104	1	1	Cable bunch, generator	Kabelknippe, generator	5	Ch. 443.386.96-47.295.95
1800	73 34 493	1	1	Cable bunch, generator	Kabelknippe, generator	5	Ch. 443.387-95.47.295-95.
1820	88 52 675	1	1	Cable bunch, electric pad	Kabelknippe, el. sits	5	58.115)
1840	88 54 036	1	1	Cable bunch, electric pad	Kabelknippe, el. sits	5	44.89)
1860	88 55 900	1	1	Cable bunch, electric pad	Kabelknippe, el. sits	5	90)
1880	88 54 944	1	1	Cable bunch, buzzer and seat belt warning	Kabelknippe, nyckel och bältesvarning	6	44) US
1900	88 54 143	1	1	Cable bunch, seat belt warning	Kabelknippe, bältesvarning	6	60.8)
1920	88 55 587	1	1	Cable bunch, seat belt warning	Kabelknippe, bältesvarning	6	9,89)
1940	88 55 918	1	1	Cable bunch, seat belt warning	Kabelknippe, bältesvarning	6	90)
1960	85 07 444	1	1	Cable bunch, headlight washer	Kabelknippe, strålkast. spolare	5	6, 136, 110)
1980	73 26 473	1	1	Grounding wire, wiper motor	Jordkabel, torkarmotor		19)
2000	88 04 759	1	1	Cable cigarette lighter	Kabel, cigarettändare		US AND DE LUXE
2020	71 55 104	1	1	Joint sleeves 2-pole	Skanvhylsa 2-pol	4	
2040	88 55 561	1	1	Cable, relay-resistance	Kabel, relä-resistans	5	112.7)
2060	88 55 579	1	1	Cable, diode - relay	Kabel, diod - relä	5	112.8)
2080	72 84 789	2		Cable, numberplate light	Kabel, nummernbelysning	6	104)
2100	79 34 458	1	1	Screw, grounding wire for wiper switch	Skruv jordkabelströmställare torkare	5	RHD

- 1. Ch. 96.520.001 - 95.065.001 -
- 5. Ch. 95.800.001 - 61800001 - 95.095.001 - 51200001
- 7. Ch. 96752000001 - 96756000001 - 96752000001 - 96756000001 -
- 8. Ch. -96752015165 - 96756007419 - 96752002048 - 96753003018 - 96756000281
- 9. Ch. 96752000001 - 96752000001 - 96756000001 - 96753000001 - 96756000001 -
- 19. Ch. -96.507.018 - 95.062.059
- 44. Ch. 96732000001 - 96736000001 - 96732000001 - 96736000001 -
- 58. Ch. 96722000001 - 96726000001 - 96722000001 - 96726000001 -
- 80. Ch. 96742000001 - 96746000001 - 96742000001 - 96746000001 -
- 89. Ch. -96762007239 - 96.763001222 - 96768007634 - 96763002000 - 9676.8000060
- 90. Ch. 96772000001 - 96773000001 - 96778000001 - 96773000001 - 96776000001 -
- 95. Ch. 96732012500 - US
- 104. Ch. 96783000001 - 96786000001 - 96783000001 -
- 110. For cars with headlight wipers and washers.
- 112. Ch. 96752010045 - Scandinavia only.
- 115. Ch. -96722021567 - 96728000009 - 9572208323 - 96726000119
- 136. Ch. -96.627.413 - 61602639 - 05.102.150 - 51601165

- 0 General Complete 1-A02 1-C02
- 1 Tools 1-F02
- 2 Engine 1-G02
- 3 Electrical System, Instruments 2-A02
- 4 Transmission 2-E02
- 5 Brakes 2-G02
- 6 Front assembly, Steering 2-I02
- 7 Suspension, Wheels 2-J02
- 8 Body 3-A02
- 9 Accessories 3-K02
- 10 Numerical Index 4-A02

- 3 GROUP INDEX**
- Battery and battery cables 2-A06
  - Ignition system 2-A22
  - Lighting 2-B04
  - Electrical equipment, other 2-C04
  - Wiring and fuses 2-D06



R 516B-V4

SAAB  
 genuine parts  
 original reservdelar

# 2-D12

SAAB V4  
 M67-80

MASTER INDEX

- 0 General 1-A02
- Complete 1-C02
- 1 Tools 1-F02
- 2 Engine 1-G02
- 3 Electrical System, Instruments 2-A02
- 4 Transmission 2-E02
- 5 Brakes 2-G02
- 6 Front assembly, Steering 2-I02
- 7 Suspension, Wheels 2-J02
- 8 Body 3-A02
- 9 Accessories 3-K02
- 10 Numerical Index 4-A02

3 GROUP INDEX

- Battery and battery cables 2-A06
- Ignition system 2-A22
- Lighting 2-B04
- Electrical equipment, other 2-C04
- Wiring and fuses 2-D06

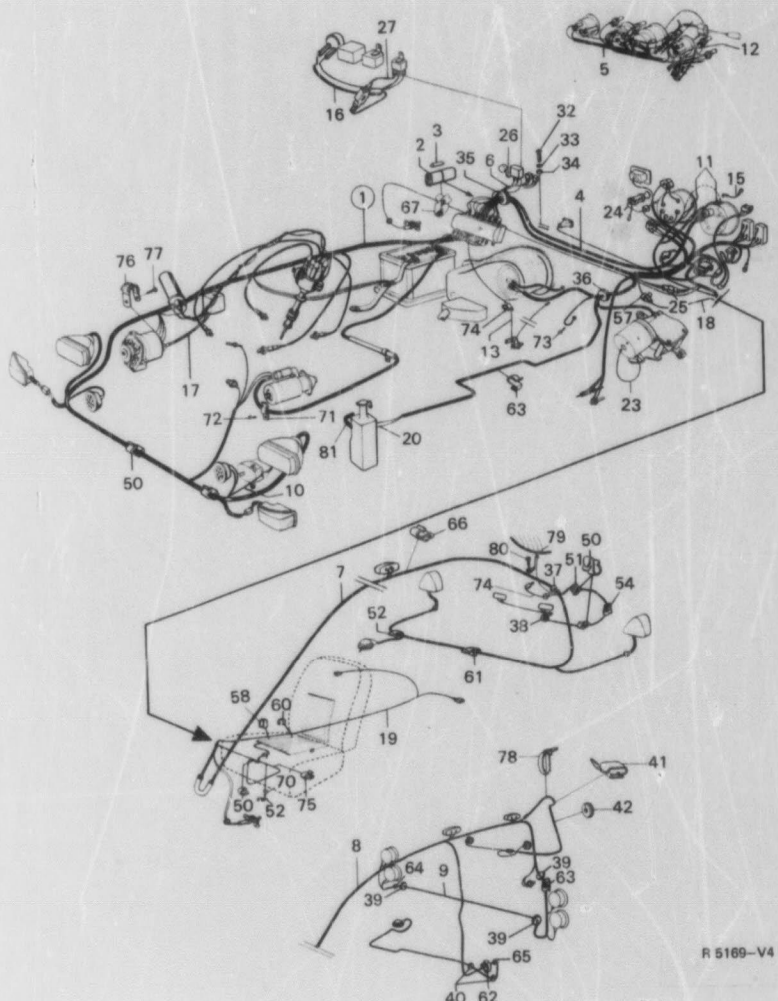
1250

Wiring and fuses		Ledningar och säkringar		Date	Illustration	Group	Page
Wirings, terminals etc.		Ledningar, kopplingar etc		Datum	Bild nr	Grupp	Side
				1982-04	R5169	3	83

Fig. Pos.	Part No Art nr	Quantity/Anstal		Description	Benämning	K/S	Notes
		96	95				
2720	33	79 10 532	1	1	Washer	Fjäderbricka	5 FOR CARS WITHOUT RADIATOR BLIND RHD
2740	34	79 10 474	1	1	Nut	Mutter	5 RHD
2780	35	71 29 546	1	1	Grommet	Genomföringsbussning	5 (9)
2800	36	88 53 970	1	1	Grommet	Genomföringsbussning	5 (2)
2820	36	73 26 063	1	1	Grommet	Genomföringsbussning	5 (5)
2860	37	79 83 465	1	1	Grommet	Genomföringsbussning	5 (103)
2880	38	71 50 425	1	1	Grommet	Genomföringsbussning	5 (104)
2920	38	79 61 311	1	1	Grommet	Genomföringsbussning	5 (104) DT
2930	38	79 61 311	1	1	Grommet	Genomföringsbussning	5 (1)
2940	39	73 09 370	3	3	Grommet	Genomföringsbussning	5 (6)
2960	39	73 09 370	2	2	Grommet	Genomföringsbussning	5 (9)
2980	40	79 61 998	2	2	Grommet	Genomföringsbussning	5 (3)
3000	41	88 56 023	1	1	Clip	Genomföringsbussning	3
3020	42	82 20 258	1	1	Grommet	Kabelclip	5 (10)
3040	50	71 56 400	3	3	Cable clip	Kabelclip	5 (1)
3060	50	71 56 400	5	5	Cable clip	Kabelclip	5 (5)
3080	50	71 56 409	3	3	Cable clip	Kabelclip	5 (2)
3100	51	71 56 417	3	3	Cable clip	Kabelclip	5 (82)
3120	51	71 56 417	1	1	Cable clip	Kabelclip	5 (116)
3140	52	71 08 481	7	7	Cable clip	Kabelclip	5 (120)
3160	53	71 57 076	2	2	Cable clip	Kabelclip	5 CH. 96.563.748.
3180	53	72 84 193	2	2	Cable clip	Kabelclip	5 CH. 96.563.750..
3200	54	79 33 443	3	3	Cable clip	Kabelclip	5
3220	54	79 33 443	1	1	Cable clip	Kabelclip	5
3260	55	79 58 838	2	2	Cable clip	Kabelclip	5 (58)
3280	56	71 21 239	1	1	Cable clip	Kabelclip	5 (58,89)
3300	57	88 09 121	2	2	Cable clip	Kabelclip	5 (89)
3320	58	79 19 194	1	1	Cable clip	Kabelclip	5 (90)
3340	58	85 52 192	1	1	Cable clip	Kabelclip	5 (95,89)
3360	59	79 33 443	1	1	Cable clip	Kabelclip	5 (90)
3380	60	88 52 956	1	1	Cable clip	Kabelclip	5 (58)
3400	60	85 11 085	2	2	Cable clip	Kabelclip	5 (58)
3420	61	88 71 550	1	1	Cable clip	Kabelclip	5 CH. 9672001500..
3440	62	79 33 443	4	4	Cable clip	Kabelclip	5 (58)
3460	63	71 50 409	1	1	Cable clip	Kabelclip	5 (90) RHD SW
3480	64	86 02 526	1	1	Cable clip	Kabelclip	5 (121)
3500	65	79 33 443	2	2	Cable clip	Kabelclip	5 (121)
3520	66	86 56 122	4	4	Cable clip	Kabelclip	5 (58)
3540	67	79 51 783	4	4	Cable clip	Kabelclip	5 (121)
3560	68	79 51 783	1	1	Cable clip	Kabelclip	5 (58)
3580	69	79 22 420	1	1	Screw	Skruv	5 (121)
3600	70	79 22 347	1	1	Screw	Skruv	5 (58)
3620	71	71 55 500	1	1	Cable clip, starter	Kabelclip, startmotor	5 (19)
3640	72	79 22 727	1	1	Screw	Skruv	5 (1)
3660	73	79 22 891	1	1	Screw, grounding fan motor	Skruv, jordning fläkt motor	5
3700							

- 1. Ch. 96.520.001 - 95.065.001-
- 2. Ch. 95.552.059 - 95.074.986
- 5. Ch. 83.600.001 - 61.600.001- - 95.095.001 - 51.600.001
- 6. Ch. -96752015105 - 96758007419 - 96752002048 - 96753003018 - 95756000281
- 9. Ch. 96752060001 - 96762000001 - 96766000001 - 96763080000 - 96763000001 - 96768000001-
- 19. Ch. -96 507.018 - 95.062.058
- 58. Ch. 96722000001 - 96726000001 - 95722000001 - 95726000001-
- 82. Ch. 96.580.001 - 80600001 - 95.080.001 - 50800001-
- 86. Ch. -96762007239 - 96763001222 - 96786007834 - 96763002000 - 9676 8000080
- 90. Ch. 96772000001 - 96773000001 - 96776000001 - 96773003140.
- 103. Ch. -96773009822 - 96776000247 - 95773003140.
- 104. Ch. 96783000001 - 96786000001 - 95783000001-
- 119. Ch. -96773008260.
- 120. Ch. 96773009270-
- 121. Ch. 96783000001 - 96786000001 - 95783000001-

R 5169-V4



SAAB  
genuine parts  
original reservdelar

## 2-D14

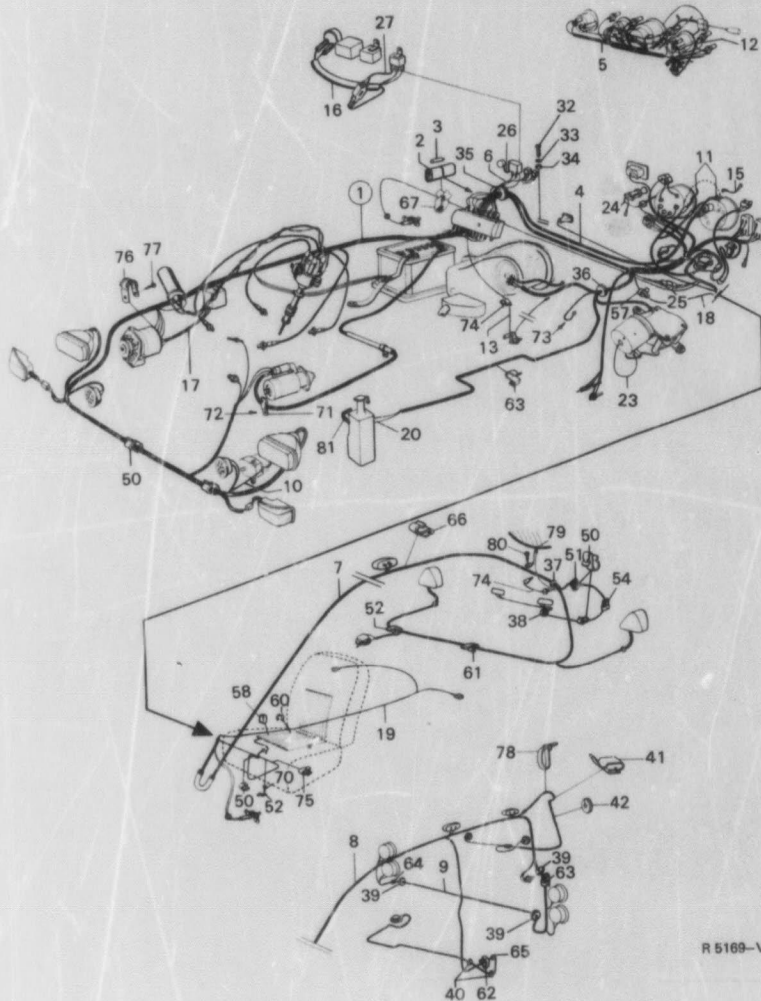
SAAB V4  
M67-80

## MASTER INDEX

1280

Wiring and fuses Wirings, terminals etc.		Ledningar och säkringar Ledningar, kopplingar etc		Date Datum	Illustration Bild nr	Group Grupp	Page Sida
				1982-04	R5169	3	85

Fig. Pos.	Part No Art nr	Quantity/Antal		Description	Benämning	K/S S/R	Notes Anmärkning
		96	95				
3720	74	88 36 421	1	Cable, trunk light	Kabel, bagagerums- belysning	6	82)
3740	75	71 56 409	1	Cable clip	Kabelclip	5	44)
3780	76	79 89 355	1	Clamp	Klamma	5	118)
3800	77	89 59 396	1	Screw	Skruv	5	118)
3820	78	85 17 104	1	Strap	Spännband	4	8)
3840	79	83 55 827	1	Grounding cable el. rear window	Jordkabel el-bakruta	6	8) NOT RHD
3880	80	79 22 347	1	Screw	Skruv	5	
3900	81	84 97 471	1	Protective strip	Skyddslist	6	90)



R 5169-V4

8. Ch. 96752060001- - 96762000001- - 96768000001- - 95753080001- - 95763000001- - 95766000001-  
44. Ch. 96732000001- - 96739000001- - 96732000001- - 96739000001- - 96739000001-  
82. Ch. 96150001- - 60600001- - 96 080.001- - 50600001-  
90. Ch. 96772000001- - 96773000001- - 96778000001- - 96773000001- - 96776000001-  
118. Ch. 95742000001- - 96749000001-

0 General	1-A02
Complete	1-C02
1 Tools	1-F02
2 Engine	1-G02
3 Electrical System, Instruments	2-A02
4 Transmission	2-E02
5 Brakes	2-G02
6 Front assembly, Steering	2-I02
7 Suspension, Wheels	2-J02
8 Body	3-A02
9 Accessories	3-K02
10 Numerical Index	4-A02

## 3 GROUP INDEX

Battery and battery cables	2-A06
Ignition system	2-A22
Lighting	2-B04
Electrical equipment, other	2-C04
Wiring and fuses	2-D06

**SAAB**  
genuine parts  
original reservdelar

# 2-D16

SAAB V4  
M67-80

MASTER INDEX

- 0 General 1-A02
- Complete 1-C02
- 1 Tools 1-F02
- 2 Engine 1-G02

- 3 Electrical System, Instruments 2-A02
- 4 Transmission 2-E02
- 5 Brakes 2-G02

- 6 Front assembly, Steering 2-I02
- 7 Suspension, Wheels 2-J02
- 8 Body 3-A02
- 9 Accessories 3-K02
- 10 Numerical Index 4-A02

3 GROUP INDEX

- Battery and battery cables 2-A06
- Ignition system 2-A22
- Lighting 2-B04
- Electrical equipment, other 2-C04
- Wiring and fuses 2-D06

1300

Wiring and fuses		Ledningar och säkringar		Date	Illustration	Group	Page
Cable terminals		Kabelskor		Datum	Bild nr	Grupp	Sida
				1982-04	R2676	3	87

Fig. Pos.	Part No Art nr	Quantity/Antal		Description	Benämning	K/S	Notes Anmärkning
		99	95				
0020	1 71 55 211	X	X	Cable terminal M4	Kabelsko M4		122) 40/253 152 003
0090	2 71 55 229	X	X	Cable terminal M5	Kabelsko M5		122) 40/253 153 001
0090	3 71 55 203	X	X	Joint sleeve	Skarvhylsa		122) 40/253 164 006
0120	4 78 29 008	X	X	Cable terminal	Kabelsko	3	122) 40/253 188 008
0140	5 71 55 237	X	X	Cable terminal M4	Kabelsko M4		123) 40/253 172 001
0160	6 71 17 880	X	X	Cable terminal M5	Kabelsko M5		123) 40/253 173 006
0180	7 78 29 617	X	X	Cable terminal M6	Kabelsko M6		123) 40/253 174 007
0200	8 71 55 625	X	X	Cable terminal M5	Kabelsko M5		123) 40/253 179 006
0220	9 71 55 146	X	X	Joint sleeve	Skarvhylsa	3	123) 40/253 188 007
0240	10 78 29 625	X	X	Cable terminal	Kabelsko		123) 40/253 195 002
0240	11 78 29 633	X	X	Terminal, headlight	Liktalanslutning		123) 40/253 196 006
0240	12 78 29 641	X	X	Faston Piggy-back	Snabbförening		123) 40/253 194 005
0240	13 78 29 658	X	X	Douglas plug	Rundplugg		124) 40/253 210 009
0300	14 71 55 686	X	X	Cable terminal M5	Kabelsko M5		124) 40/253 211 007
0320	15 78 29 686	X	X	Cable terminal M6	Kabelsko M6		124) 40/253 212 006
0340	16 78 29 674	X	X	Joint sleeve	Skarvhylsa		124) 40/253 221 006
0360	17 71 55 633	X	X	Cable terminal	Kabelsko		124) 40/253 226 005
0380	18 78 29 682	X	X	Cable terminal, round	Kabelsko, rundstift		40/253 167 001 FCR
0400	19 85 04 783	X	X	peg			IGNITION COIL 98 04 783
0420	20 85 04 359	X	X	Connection cover	Anslutningskydd, rundstift	4	
0440	30 85 22 587	X	X	Cable terminal	Kabelsko	3	125)
0450	31 85 22 575	X	X	Cable terminal	Kabelsko	3	125)
0500	32 85 22 617	X	X	Cable terminal	Kabelsko	3	126)
0520	33 85 22 518	X	X	Cable terminal	Kabelsko	3	126)
0540	34 85 22 526	X	X	Cable terminal	Kabelsko	3	126)
0560	35 85 22 534	X	X	Cable terminal	Kabelsko	3	126)
0580	36 85 22 542	X	X	Cable terminal	Kabelsko	3	126)
0600	37 85 22 589	X	X	Cable terminal	Kabelsko	3	126)
0620	38 85 22 583	X	X	Cable terminal	Kabelsko	3	126)
0680	40 85 21 688	X	X	Cable terminal	Kabelsko	3	126)
0680	41 79 59 349	X	X	Bridge connector	Ledningsöverkoppling	3	AREA 0.8-2.1 KVMM
0700	42 79 69 231	X	X	Cable terminal m8	Kabelsko M8	5	AREA 1.0-2.5 KVMM
0700	43 85 29 307	X	X	Cable terminal m8	Kabelsko M8	3	AREA 1.0-3.4 KVMM
0720	43 85 29 307	X	X	Cable terminal TSI	Kabelsko, TSI	3	125)

- 122. Red color code (area 0.5-1.5 kvmm)
- 123. Blue color code (area 1.5-2.5 kvmm)
- 124. Yellow color code (area 3-8 kvmm)
- 125. Blue color code (area 1.0 kvmm)
- 126. Green color code (area 1.5 kvmm)

R 2676 - V4



**SAAB**  
genuine parts  
original reservdelar

# 2-C16

SAAB V4  
M67-80

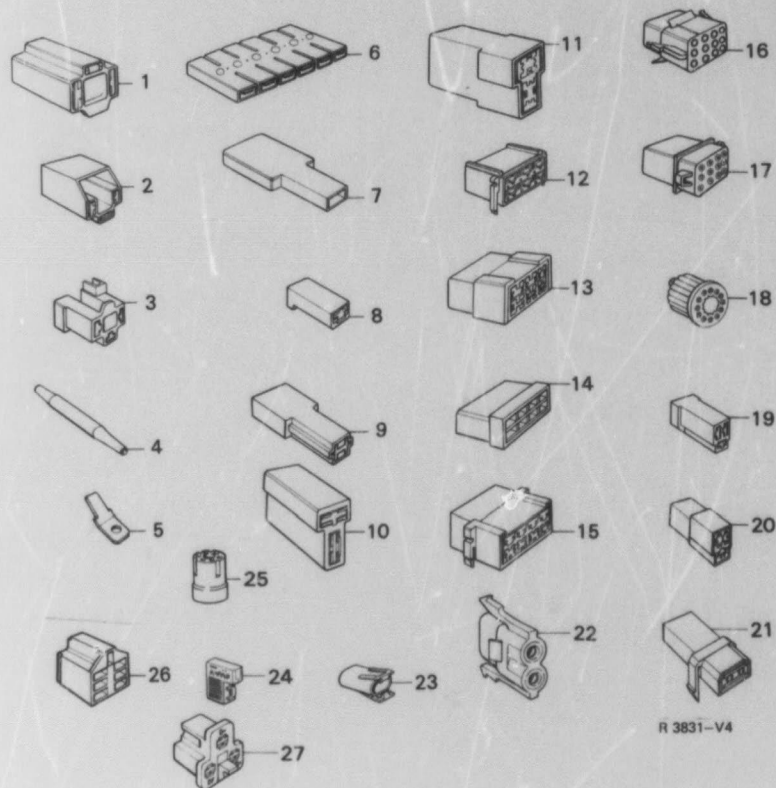
MASTER INDEX

- 0 General 1-A02

1350

<b>Wiring and fuses</b> Connectors etc.	<b>Ledningar och säkringar</b> Skarvhus, kontakthus etc.	Date Datum	Illustration Bild nr	Group Grupp	Page Sida
		1982-04	R3831	3	89

Fig. Pos.	Part No Art nr	Quantity/Arntal		Description	Benämning	K S S R /	Notes Anmärkning
		96	95				
0020	1 71 55 021	X	X	Connecting housing head light	Lyktblock		18) 40/253 303 002
0040	2 85 03 112	X	X	Connecting housing head light 3-pole	Kontakthus lyktan-slutning, 3-pol	5 1)	
0060	3 88 08 867	X	X	Connecting housing head light angular, 3-pole	Kontakthus lyktan-slutning, vinkel, 3-pol	5	
0100	4 78 29 690	X	X	Joint sleeve	Skarvhylsa	3	
0120	5 78 29 708	X	X	Tongue for terminal	Flatatift för snabbanslutning		40/253 286 003
0140	6 78 29 716	X	X	Connector block for terminal, 6-pole	Koppling för snabbanslutning, 6-pol		40/253 300 008
0200	7 78 29 724	X	X	Joint connector for terminal, 1x2-pole	Skarvstycke för snabbanslutning, 1x2-pol		40/253 302 004
0220	8 71 55 112	X	X	Connector, 1-pole	Skarvhus, 1-pol	4	
0300	9 71 55 120	X	X	Connector, 1-pole	Skarvhus, 1-pol	4	
0340	10 71 55 095	X	X	Connector, 2-pole	Skarvhus, 2-pol	4	
0360	11 71 55 104	X	X	Connector, 2-pole	Skarvhus, 2-pol	4	
0390	12 71 55 070	X	X	Connector, 6-pole	Skarvhus, 6-pol	4	
0420	13 71 55 088	X	X	Connector, 6-pole	Skarvhus, 6-pol	4	
0440	14 85 03 229	X	X	Connector, 8-pole	Skarvhus, 8-pol	4	
0460	15 85 03 211	X	X	Connector, 8-pole	Skarvhus, 8-pol	4	
0480	16 85 03 138	X	X	Connector, 12-pole	Skarvhus, 12-pol	4	
0500	17 85 03 146	X	X	Connector, 12-pole	Skarvhus, 12-pol	4	
0520	18 85 03 120	X	X	Connecting housing, 12-pole	Kontakthus, 12-pol	4	
0540	19 73 42 892	X	X	Connector, 3-pole	Skarvhus, 3-pol	4	
0560	20 73 42 900	X	X	Connector, 3-pole	Skarvhus, 3-pol	4	
0580	21 86 09 812	X	X	Connector, electric	Skarvhus, el. sits,	4 127)	
0600	22 85 04 771	X	X	Connector, electric	Skarvhus, el. sits,	4 44)	
0620	23 85 21 650	X	X	Joining case, 2-pole	Kontakthus, 2-pol	4	
0640	24 85 21 682	X	X	Termination isolating	Kabelskoisolering	4	
0660	25 85 21 700	X	X	Connector, 7-pole	Skarvhus, 7-pol TSI	4 7)	
0680	26 85 56 144	X	X	TEI relay	Kontakthus, relä	90)	
0700	27 73 34 592	X	X	Connector 3-pole	Skarvhus 3-pol	4	



R 3831-V4

**0 General** 1-A02  
**Complete** 1-C02  
**1 Tools** 1-F02  
**2 Engine** 1-G02  
**3 Electrical System, Instruments** 2-A02  
**4 Transmission** 2-E02  
**5 Brakes** 2-G02  
**6 Front assembly, Steering** 2-I02  
**7 Suspension, Wheels** 2-J02  
**8 Body** 3-A02  
**9 Accessories** 3-K02  
**10 Numerical Index** 4-A02

**3 GROUP INDEX**

**Battery and battery cables** 2-A06  
**Ignition system** 2-A22  
**Lighting** 2-B04  
**Electrical equipment, other** 2-C04  
**Wiring and fuses** 2-D06

1. Ch. 96 520 001 - 95 065 001 -  
 7. Ch. 96 75200001 - 96 75800001 - 95 75200001 - 95 756000001 -  
 19. Ch. 96 507 018 - 95 082 058  
 44. Ch. 96 73200001 - 95 73800001 - 95 73200001 - 95 738000001 -  
 90. Ch. 96 77200001 - 96 77300001 - 96 77800001 - 96 773000001 - 95 778000001 -  
 127. Ch. 96 72200001 - 96 72201567 - 96 72000001 - 96 72600009 - 95 72200001 - 95 722008323 - 95 72600001 - 95 726000119

**SAAB**  
genuine parts  
original reservdelar

# 2-D20

**SAAB V4**  
M67-80

## MASTER INDEX

0 General	1-A02
Complete	1-C02
1 Tools	1-F02
2 Engine	1-G02

3 Electrical System, Instruments	2-A02
4 Transmission	2-E02
5 Brakes	2-G02
6 Front assembly, Steering	2-I02
7 Suspension, Wheels	2-J02
8 Body	3-A02
9 Accessories	3-K02
10 Numerical Index	4-A02

## 3 GROUP INDEX

Battery and battery cables	2-A06
Ignition system	2-A22
Lighting	2-B04
Electrical equipment, other	2-C04
Wiring and fuses	2-D06

1400

### Wiring and fuses Fuses

### Ledningar och säkringar Säkringar

Date

Illustration

Group

Page

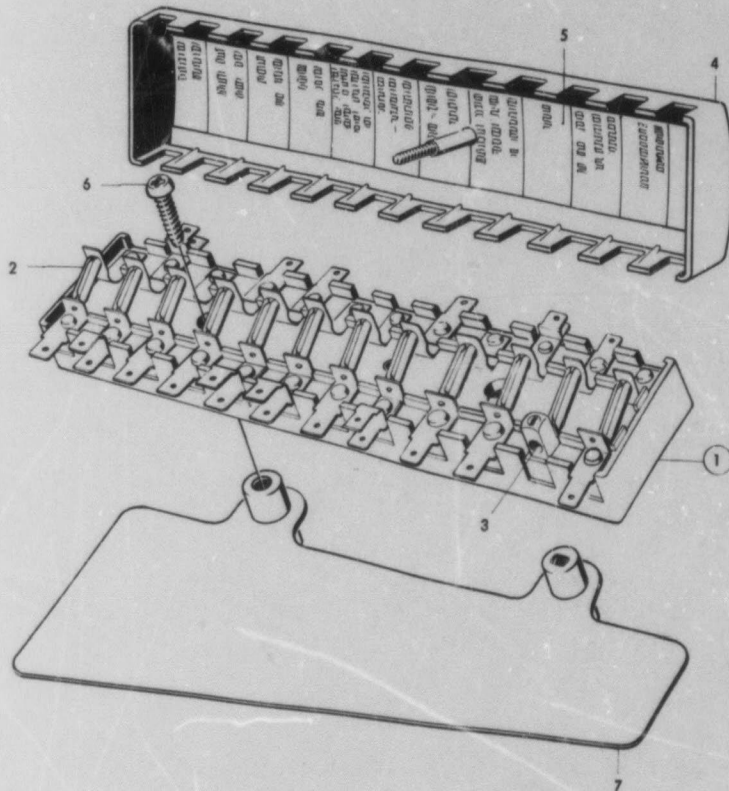
1982-04

R2047

3

91

Fig. Pos.	Part No Art nr	Quantity/Antal		Description	Benämning	K/S	Notes Anmärkning
		96	95				
0020	1	73 26 713	1	1	Fuse box assy.	Säkringsdosa kpl.	5 19)
0040	1	88 19 050	1	1	Fuse box assy.	Säkringsdosa kpl.	1,2)
0080	1	88 56 015	1	1	Fuse box assy.	Säkringsdosa kpl.	5 82)
0100	2	85 28 143	11	11	.Fuse, 8A	.Säkring, 8A	40/241 250 000
0120	2	85 28 150	1	1	.Fuse, 16A	.Säkring, 16A	1 9)
0140	3	70 91 770	1	1	.Screw	.Skruv	19)
0180	4	71 54 818	1	1	.Cover	.Lock	3 1)
0180	4	88 52 840	1	1	.Cover	.Lock	5 135)
0200	5	73 34 519	1	1	Text sign, Swedish	Textskylt, svensk text	5 128,19)
0220	5	73 42 090	1	1	text	text	5 58,50
0280	5	88 52 816	1	1	Text sign, Swedish	Textskylt, svensk text	5 60,8)
0340	5	88 53 921	1	1	text	text	9,80)
0380	5	88 56 031	1	1	Text sign, Swedish	Textskylt, svensk text	5 90)
0400	5	88 56 148	1	1	text	text	5 58,50)
0420	5	88 52 832	1	1	Text sign, English	Textskylt, engelsk text	5 90,8)
0480	5	88 53 339	1	1	text	text	5 9,80)
0620	5	88 56 056	1	1	Text sign, English	Textskylt, engelsk text	5 90)
0640	5	88 56 163	1	1	text	text	5 60,8)
0680	5	88 53 947	1	1	Text sign, Finnish	Textskylt, finsk text	5 9,80)
0700	5	88 50 049	1	1	text	text	5 90)
0720	5	88 56 155	1	1	Text sign, Finnish	Textskylt, finsk text	5 44,8)
0840	5	88 53 013	1	1	text	text	5 9,80)
0880	5	83 56 064	1	1	Text sign, German	Textskylt, tysk text	5 90)
0900	5	88 56 171	1	1	text	text	5 90)
0920	6	79 22 875	2	2	Text sign, German	Textskylt, tysk text	5
0940	7	73 03 993	1	1	Screw	Skruv	5
0960					Guard	Skydd	6



R 2047-V4

1. Ch. 96 52 000 - 95 065 001 -
2. Ch. 96 552 654 - 95 074 386
3. Ch. 88 73 201 519 - 88 75 830 7418 - 85 75 200 2048 - 25 75 300 3010 - 95 76 000 281
4. Ch. 88 75 206 0001 - 88 76 300 0001 - 88 76 600 0001 - 85 76 600 0001 - 88 76 300 0001 - 88 76 600 0001 -
19. Ch. 96 507 018 - 85 062 058
44. Ch. 96 73 200 0001 - 88 73 900 0001 - 85 73 207 0001 - 85 73 600 0001 -
58. Ch. 96 72 200 0001 - 88 72 800 0001 - 85 72 200 0001 - 95 72 600 0001 -
- Ch. 96 73 207 3028 - 88 73 600 08544 - 85 73 207 757 - 85 72 600 0195
- Ch. 96 74 200 0001 - 88 74 800 0001 - 85 74 200 0001 - 85 74 800 0001 -
80. Ch. 96 580 001 - 85 080 0021 - 85 080 0001 - 508 000 0001 -
88. Ch. 96 76 200 7238 - 88 76 500 1222 - 88 76 600 634 - 85 76 307 2000 - 88 76 600 0080
90. Ch. 96 77 200 0001 - 88 77 300 0001 - 88 76 600 0001 - 85 77 300 0001 - 88 77 600 0001 -
128. Ch. 96 470 001 - 95 52 001 -
135. Ch. 96 458 529 - 95 50 187

36. Ch. 493.400.96 - 57.380.85.  
 37. Ch. 493.401 - 96.57.381 - 95.  
 38. Ch. 9672200001 - 9572200001 -  
 45. Gear box 8802464 RHD  
 46. Gear box 8809006.  
 47. Gear box 8809030 RHD

**SAAB**  
 genuine parts  
 original reservdelar

## 2-E02

SAAB V4  
 M67-80

0050	TRANSMISSION	KRAFTÖVERFÖRING	Date Datum	Group Grupp	Page Sida
			1982-04	4	1
0020	<b>TABLE OF CONTENTS</b>				
0040	<b>Clutch</b>				
0060	Clutch, clutch disc .....		4 : 5	2-E06	
0080	<b>Clutch control</b>				
0100	Pedal, master cylinder, operating cylinder .....		4 : 7	2-E08	
0120	<b>Gear box</b>				
0140	Clutch housing, gear box cover .....		4 : 11	2-E12	
0160	Clutch lever, release bearing .....		4 : 17	2-E18	
0180	Shafts, gears, gear shift bars .....		4 : 19	2-E20	
0200	Differential, inner universal joint .....		4 : 25	2-F02	
0220	<b>Drive shafts, outer universal joint</b>				
0240	Rear axle, see group 7.		4 : 27	2-F04	
0260	<b>INNEHÅLLSFÖRTECKNING</b>				
0280	<b>Koppling</b>				
0300	Koppling lamell .....		4 : 5	2-E06	
0320	<b>Kopplingsmekanism</b>				
0340	Pedal, huvudcylinder, slavgylinder .....		4 : 7	2-E08	
0360	<b>Växellåda</b>				
0380	Kopplingshus, växellådkåpa .....		4 : 11	2-E12	
0400	Kopplingsarm, utsläppningslager etc .....		4 : 17	2-E18	
0420	Åxlar, kugghjul, växelförare .....		4 : 19	2-E20	
0440	Differential, inre knut .....		4 : 25	2-F02	
0460	Drivaxlar, yttre knut .....		4 : 27	2-F04	
0480	Bakaxel, se grupp 7				
0500	<b>INHALTVERZEICHNIS</b>				
0520	<b>Kupplung</b>				
0540	Kupplung, Kupplungscheibe .....		4 : 5	2-E06	
0560	<b>Kupplungsmechanismus</b>				
0580	Pedal, Hauptzylinder .....		4 : 7	2-E08	
0600	<b>Getriebe</b>				
0620	Kupplungsgehäuse, Getriebe Gehäuse .....		4 : 11	2-E12	
0640	Ausrückhebel .....		4 : 17	2-E18	
0660	Wellen, Zahnräder, Schaltführungen .....		4 : 19	2-E20	
0680	Differential, inneres Antriebsgelenk .....		4 : 25	2-F02	
0700	Antriebsachse, äusseres Antriebsgelenk .....		4 : 27	2-F04	
0720	Hinterachse, siehe Gruppe 7				
0740	<b>TABLE DES MATIERES</b>				
0760	<b>Embrayage</b>				
0780	Embrayage, disque .....		4 : 5	2-E06	
0800	<b>Commande d'embrayage</b>				
0820	Pédale, maître-cylindre, cylindre esclave .....		4 : 7	2-E08	
0840	<b>Boîte de vitesses</b>				
0860	Carter et couvercle de boîte de vitesses .....		4 : 11	2-E12	
0880	Fourchette d'embrayage, butée de débrayage, etc .....		4 : 17	2-E18	
0900	Arbres, pignons, fourchettes entraîne-vitesse .....		4 : 19	2-E20	
0920	Differential, joint cardan intérieur .....		4 : 25	2-F02	

### MASTER INDEX

0 General	1-A02
Complete	1-C02
1 Tools	1-F02
2 Engine	1-G02
3 Electrical System, Instruments	2-A02
4 Transmission	2-E02
5 Brakes	2-G02
6 Front assembly, Steering	2-I02
7 Suspension, Wheels	2-J02
8 Body	3-A02
9 Accessories	3-K02
10 Numerical Index	4-A02

### 4 GROUP INDEX

Clutch	2-E06
Clutch control	2-E08
Gear box	2-E12
Drive shafts, outer universal joint	2-F04
Rear axle, see group 7.	

8. Ch. 96.520.001 - 96.066.001 - LHO  
 40. Ch. -96773005922 - 96776009247 - 96773003140  
 41. Ch. 96783003001 - 96786000001 - 96783000001 -  
 42. Ch. -479.508.96 - 53.925.95  
 43. Ch. 479.509 - 96.53.926 - 95

SAAB V4  
 M67-90

## 2-E03

**SAAB**  
 genuine parts  
 original re-avdelar

0050	Page Sida	Group Grupp	Date Datum	TRANSMISSION	KRAFTÖVERFÖRING
	2	4	1982-04		
1400				Arbre d'entraînement, joint cardan extérieur	4:27 2-F04
1420				Essieu arrière, voir groupe 7	
1440					
1460					
1480					
1500				<b>SUMARIO</b>	
1520					
1540				Embrague	4:5 2-E06
1560				Embrague, disco	
1580					
1600				Mando de embrague	4:7 2-E08
1620				Pedal, cilindro principal, cilindro esclavo	
1640					
1660				Cambio	4:11 2-E12
1680				Carter / tapa de caja de cambios	4:17 2-E18
1700				Horquilla de embrague, conjinete de empuje, etc	4:19 2-E20
1720				Ejes, engranajes, horquillas de mando de velocidades	4:25 2-F02
1740				Diferencial, junta homocinética interior	4:27 2-F04
1760				Eje de accionamiento, junta homocinética exterior	
1780				Eje trasero, ver grupo 7.	

### MASTER INDEX

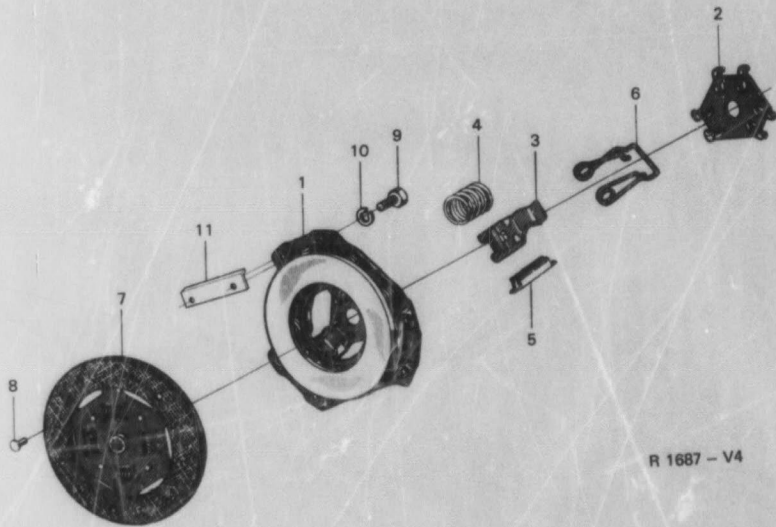
0 General	1-A02
Complete	1-C02
1 Tools	1-F02
2 Engine	1-G02
3 Electrical System, Instruments	2-A02
4 Transmission	2-E02
5 Brakes	2-G02
6 Front assembly, Steering	2-I02
7 Suspension, Wheels	2-J02
8 Body	3-A02
9 Accessories	3-K02
10 Numerical Index	4-A02

### 4 GROUP INDEX

Clutch	2-E06
Clutch control	2-E08
Gear box	2-E12
Drive shafts, outer universal joint	2-F04
Rear axle, see group 7.	



0100 Clutch		Koppling		Date	Illustration	Group	Page
Clutch, clutch disc		Koppling, lamell		Detum	Bild nr	Grupp	Sida
				1982-04	R1687	4	5
Fig. Pos.	Part No Art nr	Quantity/Antal		Description	Benämning	Notes	
		95	96			K/S	Notes
						S	Anmärkning
0020	1 88 03 894	1	1	Pressure plate assy.	Tryckekiva kpl	S2	
0040	2 88 03 836	1	1	Release plate	Urrämningsplatta	6	
0060	3 78 63 293	3	3	Lever	Hivarm	5	
0080	4 78 63 301	6	6	Clutch spring	Kopplingsfjäder	4	
0100	5 78 63 319	6	6	Clip	Hivarmfjäder	5	
0120	6 78 63 327	3	3	Lever spring		4	
0160	7 87 11 145	1	1	Clutch disc	Lamell	S2(8)	
0180	8 70 78 346	12	12	Rivet	Nit	S(3)	
0200	9 88 02 385	6	6	Rivet	Nit	S(4)	
0220	10 78 10 557	6	6	Screw	Skruv	5	
0240	11 88 00 195	3	3	Washer	Bricka	5	
0260		3	3	Shim	Mellanlägg	4(3)	
0320		1	1	Clutch disc lining set with rivet	Lamellbelägssets med nit	0	
0340		X	X	Reconditioning kit, clutch	Renoveringssets, koppling	2	
0380	88 15 864	X	X	Mounting kit, for replacement of clutch	Monteringssets, byte av koppling	4	
0420	88 15 862	X	X				



R 1687 - V4

0 General	1-A02
Complete	1-C02
1 Tools	1-F02
2 Engine	1-G02
3 Electrical System, Instruments	2-A02
4 Transmission	2-E02
5 Brakes	2-G02
6 Front assembly, Steering	2-I02
7 Suspension, Wheels	2-J02
8 Body	3-A02
9 Accessories	3-K02
10 Numerical Index	4-A02

4 GROUP INDEX

Clutch	2-E06
Clutch control	2-E08
Gear box	2-E12
Drive shafts, outhur universal joint	2-F04
Rear axle, see group 7.	

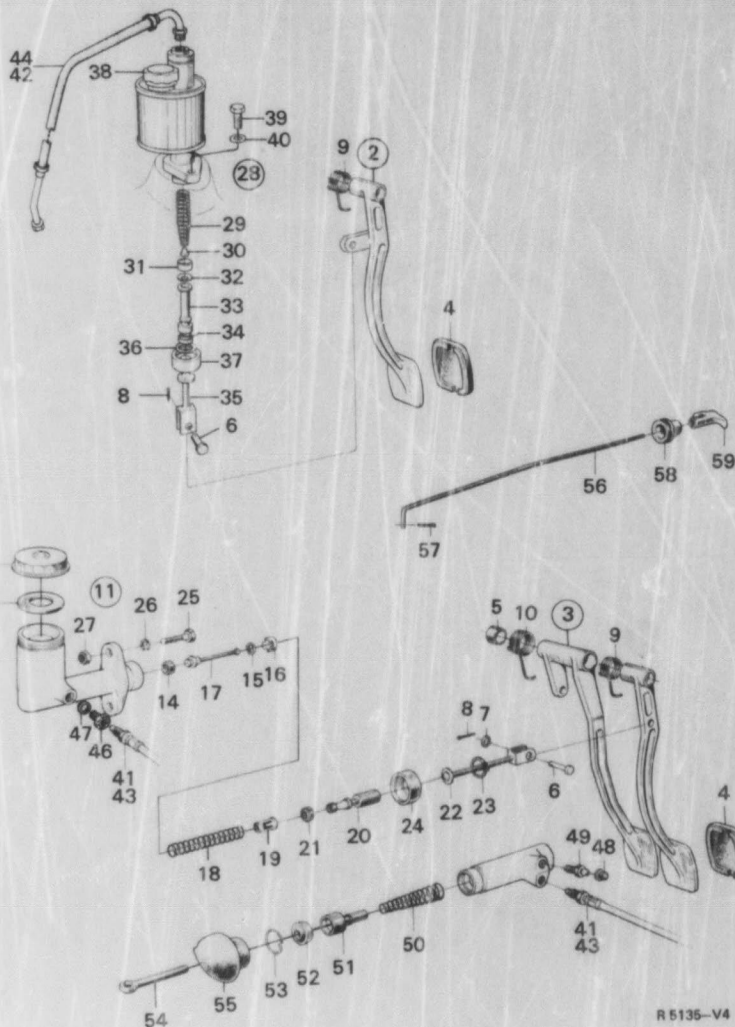


Fig. Pos.	Part No. Art nr	Quantity/Amount		Description	Benämning	K/S SR	Notes Anmärkning
		98	95				
0040	2 73 48 527	1	1	Clutch pedal assy.	Kopplingspedal kpl		6 (9)
0060	2 73 71 230	1	1	Clutch pedal assy.	Kopplingspedal kpl		6 (12)
0080	3 73 71 305	1	1	Clutch pedal assy. R.H.D.	Kopplingspedal kpl R.H.D.		6
0100							
0120	4 71 83 185	1	1	Pedal rubber	Pedalgummi		3
0140	5 73 01 104	2	2	Bushing R.H.D.	Bussning R.H.D.		4
0160	6 78 08 963	1	1	Bolt	Axelbult		5
0180	7 60 23 985	1	1	Washer	Bricka		5 (48)
0200	8 79 04 394	1	1	Cotter pin	Saxpinne		3
0220	9 73 01 138	1	1	Spring	Fjäder		3
0240	10 73 12 287	1	1	Spring R.H.D.	Fjäder R.H.D.		3 (10)
0260	10 73 56 454	1	1	Spring R.H.D.	Fjäder R.H.D.		3 (11)
0280	11 73 13 700	1	1	Master cylinder assy.	Huvudcylinder kpl		2 (7,10)
0300	12 73 13 901	1	1	Cover	Lock		4 (7,10)
0320	13 89 29 036	1	1	Gasket	Packning		S 7 (10)
0340	14 73 13 786	1	1	Gasket	Packning		S 5 (7,10)
0360	15 73 13 794	1	1	Washer	Bricka		S 5 (7,10)
0380	16 73 13 802	1	1	Sleeve	Hylsa		6 (7,10)
0400	17 73 13 810	1	1	Rod	Stång		5 (7,10)
0420	18 73 13 828	1	1	Spring	Fjäder		3 (7,10)
0440	19 73 13 836	1	1	Spring retainer	Fjäderhållare		5 (7,10)
0460	20 73 13 844	1	1	Piston	Kolv		6 (7,10)
0480	21 73 13 851	1	1	Gasket	Packning		S 5 (7,10)
0500	22 73 13 877	1	1	Push rod	Stötsång		5 (7,10)
0520	23 73 13 885	1	1	Lock ring	Låsring		5 (7,10)
0540	24 73 13 893	1	1	Seal bellows	Tätningståg		S 5 (7,10)
0560	25 79 03 172	2	2	Screw	Skruv		5 (7,10)
0580	26 79 10 557	2	2	Washer	Bricka		3 (7,10)
0600	28 89 44 993	1	1	Nut	Mutter		5 (7,10)
0620	28 89 44 993	1	1	Master cylinder assy.	Huvudcylinder kpl		2 (8,11) (7352568)
0640	29 73 13 158	1	1	Spring	Fjäder		3 (3,11) PART OF 8944993
0660	30 89 46 123	1	1	Spring	Fjäder		3 (3,11) PART OF 8944993
0680	30 89 46 156	1	1	Spring retainer	Fjäderhållare		5 (8,11) PART OF 7352568
0700	31 89 03 304	1	1	Spring retainer	Fjäderhållare		5 (8,11) PART OF 8944993
0720	31 89 45 248	1	1	Gasket	Packning		S 5 (8,11) PART OF 7352568
0740	32 73 13 182	1	1	Washer	Bricka		S 5 (8,11) PART OF 8944993
0760	32 89 45 255	1	1	Washer	Bricka		S 5 (8,11) PART OF 8944993
0780	32 89 45 263	1	1	Piston	Kolv		6 (8,11) PART OF 7352568
0800	36 73 13 232	1	1	Piston	Kolv		6 (8,11) PART OF 8944993
0820	37 73 13 240	1	1	Gasket	Packning		S 5 (8,11) (8930034)
0840	38 73 12 176	1	1	Push rod	Stötsång		5 (8,11)
0860	38 70 03 184	2	2	Lock ring	Låsring		S 9 (8,11)
0880	40 79 10 557	2	2	Seal bellows	Tätningståg		4 (8,11)
0900	41 73 37 751	1	1	Cover	Lock		5
0920	42 73 71 420	1	1	Screw	Skruv		5
0940	43 73 52 230	1	1	Washer	Bricka		5
0960	44 73 72 857	1	1	Hose	Slang		2 (48)
1000	45 73 48 958	1	1	Hose R.H.D.	Slang R.H.D.		2 (8)
1020	47 70 29 630	1	1	Hose R.H.D.	Slang RHD		2 (11)
				Adapter R.H.D.	Adapter R.H.D.		6 (9)
				Gasket R.H.D.	Packning R.H.D.		5 (9)

- 7. Ch 507 018 96 - 62 059 56. LHD
- 8. Ch 96 520 001 - 95 085 901. LHD
- 9. Ch 96 520 001 - 534 000, 95 085 001 - 086 318.
- 10. Ch - 96 552 858 - 95 074 986. RHD
- 11. Ch 96 560 001 - 95 080 001 - RHD
- 12. Ch 96 584 001 - 95 086 319 -
- 48. Ch - 507 018 96 - 62 059 95.
- 49. Ch 96 520 001 - 95 085 001 -

R 5135-V4

- 0 General 1-A02
- Complete 1-C02
- 1 Tools 1-F02
- 2 Engine 1-G02
- 3 Electrical System, Instruments 2-A02
- 4 Transmission 2-E02
- 5 Brakes 2-G02
- 6 Front assembly, Steering 2-I02
- 7 Suspension, Wheels 2-J02
- 8 Body 3-A02
- 9 Accessories 3-K02
- 10 Numerical Index 4-A02

4 GROUP INDEX

- Clutch 2-E06
- Clutch control 2-E08
- Gear box 2-E12
- Drive shafts, outer universal joint 2-F04
- Rear axle, see group 7.

SAAB  
genuine parts  
original reservdelar

# 2-E10

SAAB V4  
M67-80

MASTER INDEX

- 0 General 1-A02
- Complete 1-C02
- 1 Tools 1-F02
- 2 Engine 1-G02
- 3 Electrical System, Instruments 2-A02
- 4 Transmission 2-E02
- 5 Brakes 2-G02
- 6 Front assembly, Steering 2-I02
- 7 Suspension, Wheels 2-J02
- 8 Body 3-A02
- 9 Accessories 3-K02
- 10 Numerical Index 4-A02

4 GROUP INDEX

- Clutch 2-E06
- Clutch control 2-E08
- Gear box 2-E12
- Drive shafts, outhar universal joint 2-F04
- Rear axle, see group 7.

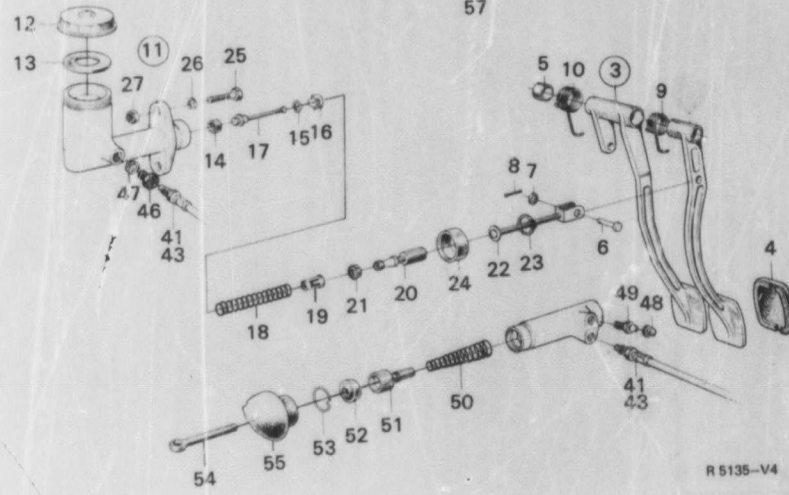
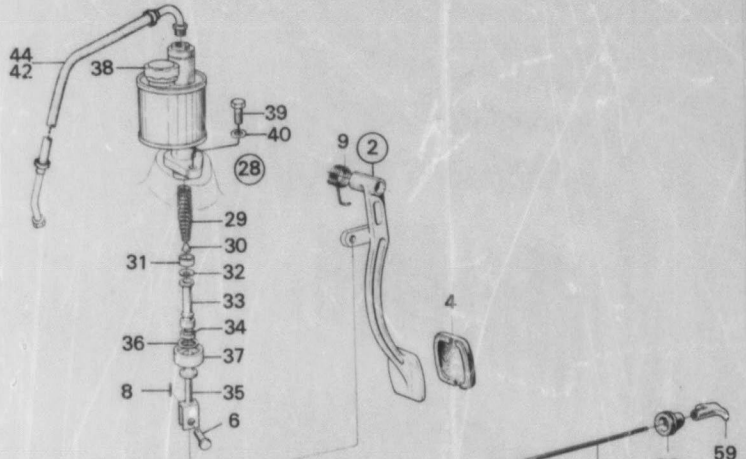
0150

Clutch control  
pedal, master cylinder,  
operating cylinder

Kopplingsmanövrering  
Pedal, huvudcylinder,  
slavcylinder

Date Datum	Illustration Bild nr	Group Grupp	Page Sida
1982-04	R5135	4	9

Fig. Pos.	Part No Art nr	Quantity/Anfai		Description	Benämning	K/S S/R /L	Notes Anmärkning
		96	95				
1040				Slave cylinder assy.	Slavcylinder kpl.		SEE PAGE 17, 2-E18
1060							
1080	48	86 25 042	1	1	.Rubber dust-cover	.Gummiskydd	S 3 (7315054)
1100	48	73 15 062	1	1	.Bleeding nipple	.Urluftningsnippel	6
1120	50	73 15 070	1	1	.Return spring	.Returfjäder	6
1140	51	73 15 096	1	1	.Piston	.Kolv	6
1160	52	73 15 104	1	1	.Rubber sealing	.Gummitätning	S 2
1180	53	79 14 623	1	1	.Lock ring	.L-färing	S 5
1200	54	73 15 138	1	1	.Push rod	.Stötstäng	S 5
1220	56	73 15 120	1	1	.Rubber dust-cover	.Gummiskydd	S 6
1240	56	73 01 211	1	1	Control rod	.Regelstäng	0
1260	56	73 12 325	1	1	Control rod R.H.D	.Regelstäng R.H.D.	0
1280	57	73 95 387	1	1	Clip	.Länål	5 (7904396)
1300	58	71 75 304	1	1	Grommet	.Genomföring	5
1320	58	71 75 304	1	1	Handle	.Handtag	3
1340	98	78 46 074	X	X	Repair kit, slave cylinder	Rep. sats, slavcylinder	1
1360							
1380		78 46 082	X	X	Repair kit, master cylinder	Rep. sats, huvudcylinder	1 22)
1400							
1420		86 10 341	X	X	Repair kit, master cylinder, clutch	Rep.sats, huvudcylinder, koppling	1 48)
1440							



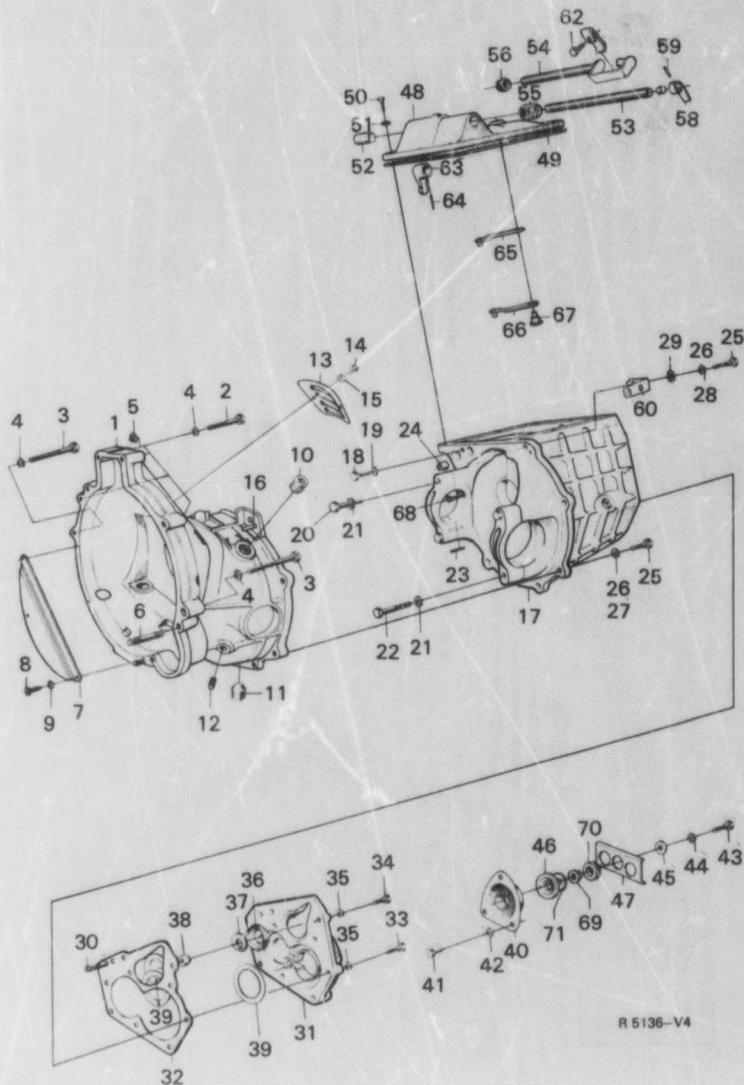
R 5135-V4

SAAB  
genuine parts  
original reservdelar

# 2-E12

SAAB V4  
M67-80

MASTER INDEX



Gear box		Växellåda			Date	Illustration	Group	Page
Clutch housing,		Kopplingshus,			Datum	Bild nr	Grupp	Sida
gear box cover		växellådsååpa			1982-04	R5136	4	11
Fig. Pos.	Part No Art nr	Quantity/Åntal			Description	Benämning	K S	Notes Anmärkning
		96 96 96	96 96 96	96 96 96				
		45)	46)	47)				
0020	86 02 484	1			Gear box assy, R.H.D.	Växellåda kpl RHD		46,48)
0040	86 09 006	1	1		Gear box assy,	Växellåda kpl		5 46)
0060	86 09 030			1	Gear box assy, R.H.D.	Växellåda kpl RHD		47,49)
0080	88 09 014	1	1	1	Clutch housing	Kopplingshus		
0100	80 84 147	4	4	4	Screw	Skruv		
0120	80 84 154	2	2	2	Screw	Skruv		
0140	79 33 856	5	5	5	Washer	Bricka		
0160	79 33 856	1	1	1	Stud	Pinnskruv		
0180	88 02 526	1	1	1	Guard plate	Skyddsplåt		0 18)
0200	88 01 086	1	1	1	Screw	Skruv		5 19)
0220	79 34 282	3	3	3	Screw	Skruv		5 19)
0240	79 10 524	3	3	3	Washer	Bricka		5 19)
0260	70 36 968	1	1	1	Filling plug	Påfyllningsplugg		0 GEAR BOX- 118.181,
0280	87 10 857	1	1	1	Filling plug	Påfyllningsplugg		0 GEAR BOX 118.182-286.822
0300	87 10 857	1	1	1	Filling plug	Påfyllningsplugg		3 GEAR BOX 286.823-
0340	71 94 020	1	1	1	Plug	Plugg		3 GEAR BOX-118.181,
0360	87 03 399	1	1	1	Plug	Plugg		3 GEAR BOX 118.182-
0380	87 00 221	1	1	1	Plug	Plugg		
0400	70 74 396	1	1	1	Guard plate	Skyddsplåt		5 18)
0420	79 34 292	2	2	2	Screw	Skruv		5 18)
0440	79 10 524	2	2	2	Washer	Bricka		5 18)
0460	79 11 043	1	1	1	Cylindrical pin	Cylindrisk pinne		
0480	71 94 608	1	1	1	Gear box cover	Växellådsååpa		
0500	79 03 172	1	1	1	Screw	Skruv		
0520	79 03 190	1	1	1	Screw	Skruv		
0540	79 33 849	1	1	1	Washer	Bricka		
0560	79 03 362	2	2	2	Screw	Skruv		
0580	79 33 856	4	4	4	Washer	Bricka		
0600	79 03 370	2	2	2	Screw	Skruv		
0620	79 10 789	4	4	4	Screw	Skruv		
0640	70 81 961	1	1	1	Cylindrical pin	Cylindrisk pinne		
0660	79 02 218	6	6	6	Sealing cup	Tätningsskopp		
0680	79 33 849	6	6	6	Screw	Skruv		
0700	79 10 557	2	2	2	Washer	Bricka		
0720	79 33 849	4	4	4	Washer R.H.D.	Bricka R.H.D.		
0740	80 29 985	1	1	1	Washer	Bricka		
0760	70 74 818	1	1	1	Oil collector	Oljekops		
0780	71 67 240	1	1	1	End cover	Gavellock		
0800	71 94 533	1	1	1	End cover	Gavellock		
0820	71 67 547	1	1	1	Gasket	Packning		
0840	71 94 574	1	1	1	Gasket	Packning		
0860	79 03 198	7	7	7	Screw	Skruv		
0880	79 03 172	1	1	1	Screw	Skruv		
0900	79 33 849	8	8	8	Washer	Bricka		
0920	70 72 879	1	1	1	Washer	Bricka		
0940	71 67 455	1	1	1	Diaphragm	Membran		
0960	70 72 885	1	1	1	Plunger	Plunge		
0980	70 80 930	X	X	X	Shim, main and inter- mediate shaft 0.10	Shim, huvud- och mellanaxel 0.10		
1000					Shim, main and inter- mediate shaft 0.15	Shim, huvud- och mellanaxel 0.15		
1020	70 81 011	X	X	X	Shim, main and inter- mediate shaft 0.30	Shim, huvud- och mellanaxel 0.30		
1040					Shim, pinion shaft 0.10	Shim, utgående axel 0.10		
1060								
1080								
1100	70 80 955	X	X	X				
1120								

R 5136-V4

- 18. Not included in gear box assy.
- 19. Ch. -96732010480 - 96732010480 - 96732003153.
- 45. Gear box 8802484 RHD
- 46. Gear box 8809006
- 47. Gear box 8809030 RHD
- 48. Ch. -507.018.98 - 82.059.95.
- 49. Ch. 96.520.001 - 95.065.001-

- 0 General 1-A02
  - Complete 1-C02
  - 1 Tools 1-F02
  - 2 Engine 1-G02
  - 3 Electrical System,  
Instruments 2-A02
  - 4 Transmission 2-E02
  - 5 Brakes 2-G02
  - 6 Front assembly,  
Steering 2-I02
  - 7 Suspension, Wheels 2-J02
  - 8 Body 3-A02
  - 9 Accessories 3-K02
  - 10 Numerical Index 4-A02
- 4 GROUP INDEX**
- Clutch 2-E06
  - Clutch control 2-E08
  - Gear box 2-E12
  - Drive shafts, outer uni-  
versal joint 2-F04
  - Rear axle, see group 7.

0200

**Gear box**  
Clutch housing,  
gear box cover

Växellåda  
Kopplingshus,  
växellådsååpa

Date  
Datum

Illustration  
Bild nr

Group  
Grupp

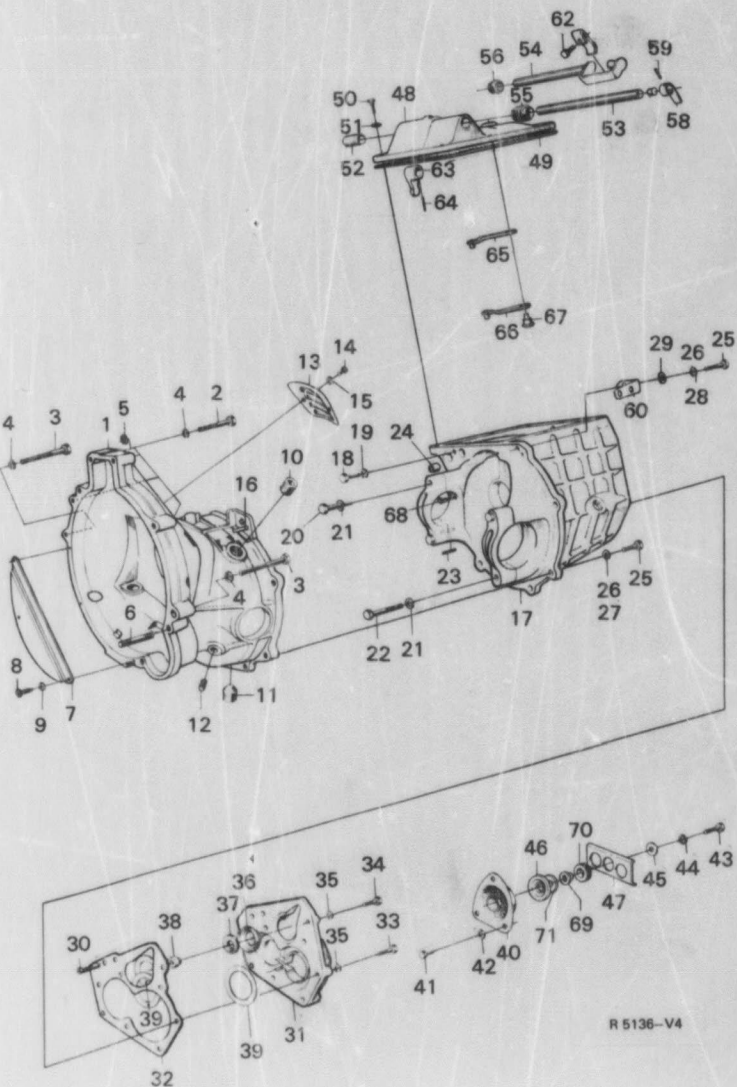
Page  
Sida

1982-04 R5136

4

13

Fig. Pos.	Part No Art nr	Quantity/Antal			Description	Benämning	K/S S/R	Notes Anmärkning
		96 96 45)	96 95 46)	96 95 47)				
1140	39	70 81 052	X	X	X	Shim, pinion shaft 0.15	Shim, utgående axel 0.15	5
1180	39	70 81 060	X	X	X	Shim, pinion shaft 0.30	Shim, utgående axel 0.30	5
1200								
1220	39	70 80 948	X	X	X	Shim, intermediate shaft 0.10	Shim, mellanaxel 0.10	5
1260	39	70 81 037	X	X	X	Shim, intermediate shaft 0.15	Shim mellanaxel 0.15	5
1280								
1300	39	70 81 045	X	X	X	Shim, intermediate shaft 0.30	Shim, mellanaxel 0.30	5
1320								
1340	40	88 03 280	1	1	1	Rear suspension cushion	Bakre upphängningskudde	4
1360								
1380	41	79 03 155	3	3	3	Screw	Skruv	5
1400	42	73 15 572	3	3	3	Star washer	Teggbricka	5 18)
1420	43	79 03 339	1	1	1	Screw	Skruv	5 20)
1440	43	79 03 347	1	1	1	Screw	Skruv	5 21,15)
1460	43	79 03 354	1	1	1	Screw	Skruv	5 18)
1480	43	79 03 347	1	1	1	Screw	Skruv	5 23)
1500	43	79 03 354	1	1	1	Screw	Skruv	5 24)
1520	44	79 10 506	1	1	1	Washer	Ericka	5
1540	45	70 31 404	1	1	1	Washer	Bricka	5 79 16 513)
1560	46	88 01 797	1	1	1	Damping washer	Dämpningsbricka	2)
1580	46	88 03 462	1	1	1	Damping washer	Dämpningsbricka	4 21)
1600	47	78 01 784	1	1	1	Movement limiter	Rörelsebegränsare	4 24)
1620	47	88 38 243	1	1	1	Movement limiter	Rörelsebegränsare	4 16) (88 39 342)
1640	48	70 80 617	1	1	1	Cover, gear shift forks	Lock växelföring	5
1660								
1680	48	87 10 182	1	1	1	Gasket	Packning	3
1700	59	79 03 016	8	8	8	Screw	Skruv	5
1720	51	79 33 623	8	8	8	Washer	Bricka	5
1740	52	70 80 724	1	1	1	Cover	Tätninglock	4
1760	53	70 80 716	1	1	1	Driver shaft	Medbringaraxel	5
1780	54	70 81 284	1	1	1	Driver shaft R.H.D.	Medbringaraxel R.H.D.	5
1800	55	71 67 281	1	1	1	Seal bellows	Tätningstålg	4
1820	56	71 67 280	1	1	1	Rubber sealing R.H.D.	Gummitätning RHD	4
1840	57	71 57 246	1	1	1	Pipe plug RHD	Rörplugg r.h.d.	0
1860	58	70 81 318	1	1	1	Arm, back-up light contact	Arm, backljuskontakt	5
1900	58	78 18 477	1	1	1	Cotter pin	Spännstift	5 18) FOR L.H.D. CARS WITH BACK-UP LIGHTS.
1920								
1940	60	70 81 334	1	1	1	Bracket, back-up light contact	Konsol, backljuskontakt	5 18) FOR L.H.D. CARS WITH BACK-UP LIGHTS.
1960	60	88 31 106	1	1	1	Bracket, back-up light contact	Konsol, backljuskontakt	5 18,48) FOR L.H.D. CARS WITH BACK-UP LIGHTS.
2000								
2080	62	79 03 016	1	1	1	Screw R.H.D.	Skruv	5 18) FOR R.H.D. CARS WITH BACK-UP LIGHTS (79 35 888)
2100								
2120								
2140	63	70 80 708	1	1	1	Driver	Medbringare	5
2160	64	79 56 154	1	1	1	Cotter pin diam. 3 mm	Spännstift diam. 3 mm	5
2180	64	79 16 477	1	1	1	Cotter pin diam. 5 mm	Spännstift diam. 5 mm	5
2200	65	70 90 825	1	1	1	Upper detent	Övre spärr	6



R 5136-V4

15. Ch. -96752015165. -96752007419. -96752002048. -96753003018. - 96756000261
16. Ch. 96752090001. - 96752000001. - 96752000001. - 96753000001. - 96753000001. - 96753000001. - 96756000001.
17. Not included in gear box assembly.
20. Ch. -442.711.96. -47.222.95.
21. Ch. -442.712.96. -47.223.95.
22. Ch. -96732012489. US
24. Ch. 96732012500. US
45. Gear box 8802464 RHD
46. Gear box 8809006
47. Gear box 8809030 RHD
48. Ch. -507.018.96. -82.059.95.
49. Ch. 96.520.001. - 95.065.001.

- 0 General 1-A02  
Complete 1-C02  
1 Tools 1-F02  
2 Engine 1-G02

- 3 Electrical System, Instruments 2-A02  
4 Transmission 2-E02  
5 Brakes 2-G02  
6 Front assembly, Steering 2-I02  
7 Suspension, Wheels 2-J02  
8 Body 3-A02  
9 Accessories 3-K02  
10 Numerical Index 4-A02

4 GROUP INDEX

- Clutch 2-E06  
Clutch control 2-E08  
Gear box 2-E12  
Drive shafts, outer universal joint 2-F04  
Rear axle, see group 7.

SAAB  
genuine parts  
original reservdelar

# 2-E16

SAAB V4  
M67-80

## MASTER INDEX

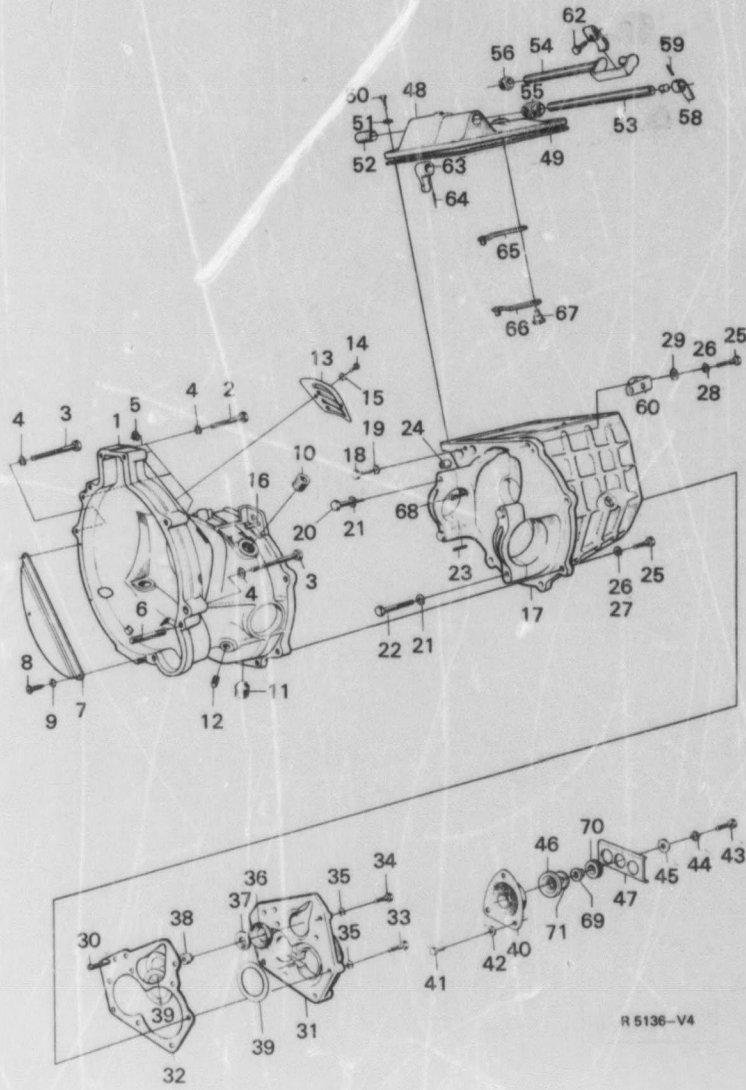
0 General	1-A02
Complete	1-C02
1 Tools	1-F02
2 Engine	1-G02
3 Electrical System, Instruments	2-A02
4 Transmission	2-E02
5 Brakes	2-G02
6 Front assembly, Steering	2-I02
7 Suspension, Wheels	2-J02
8 Body	3-A02
9 Accessories	3-K02
10 Numerical Index	4-A02

## 4 GROUP INDEX

Clutch	2-E06
Clutch control	2-E08
Gear box	2-E12
Drive shafts, outhar universal joint	2-F04
Rear axle, see group 7.	

0200

Gear box Clutch housing, gear box cover		Växellåda Kopplingshus, växellådsåska			Date Datum	Illustration Bild nr	Group Grupp	Page Sida
					1982-04	R5136	4	15
Fig. Pos.	Part No Art nr	Quantity/Antal			Description	Benämning	K/S S/R /L	Notes Anmärkning
		96 95 45)	96 95 46)	96 95 47)				
2220	68 70 80 858	1	1	1	Lower detent	Undre spärr	6	
2240	67 70 80 866	1	1	1	Detent shaft	Spärraxel	5	
2280	68 71 94 210	1	1	1	Oil catcher	Oljefångare	5	GEAR BOX 108 911-
2280	69 88 39 250	1	1	1	Spacer	Distans	4 18)	
2300	70 88 39 482	1	1	1	Rubber buffer	Gummidämpare	4 18)	
2320	71 79 16 513	1	1	1	Washer	Bricka	5	



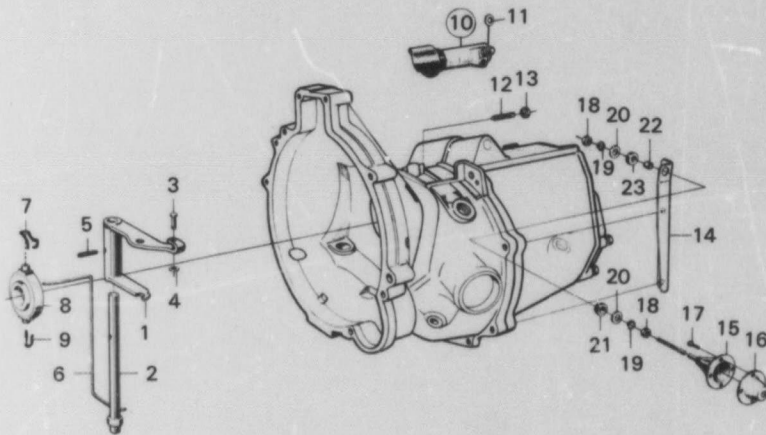
R 5136-V4

- 16. Ch. 96752060001 - 96762000001 - 96766000001 - 96753060001 - 96763000001 - 96768000001 -
- 45. Gear box 8802484 RHD
- 46. Gear box 8809006
- 47. Gear box 8809030 RHD

0250

Gear box		Växellåda		Date	Illustration	Group	Page
Clutch lever, release bearing, etc.		Kopplingsarm, urtrampningslager, etc.		1982-04	R1690	4	17

Fig Pos.	Part No Art nr	Quantity/Antal			Description	Benämning	K/S S/R /L	Notes Anmärkning
		95 45)	95 46)	90 47)				
0020	1	73 15 161	1	1	Clutch fork	Kopplingsgaffel	3	46,46,47)
0040	2	73 15 203	1	1	Shaft, clutch fork	Axel, kopplingsgaffel	6	
0060	3	73 15 146	1	1	Shaft bolt	Axelbult	5	
0080	4	79 51 353	1	1	Lock ring	Spärring	5	
0100	5	79 56 337	1	1	Cotter pin	Spännstift	5	
0120	6	88 01 110	1	1	Return spring	Återföringsfjäder	3	
0140	7	73 15 232	1	1	Spring	Fixeringsfjäder	3	
0160	8	76 67 773	1	1	Release bearing	Urtrampningslager	2	1)
0180	8	71 04 137	1	1	Release bearing	Urtrampningslager	S	2)
0200	9	70 74 552	1	1	Retaining spring	Fästfjäder	3	
0220	10	73 15 039	1	1	Operating cylinder	Slävcylinder kpl.	2	
0240	10	88 09 196	1	1	Operating cylinder	Slävcylinder kpl.	2	
0280					assy			SEE PAGE 9, 2-E10
0300					.Components	.Detaljer		
0320								
0340	11	88 02 787	X	X	Shim 0.6	Shim 0.6	6	
0360	11	88 02 785	X	X	Shim 1.5	Shim 1.5	6	
0380	12	88 05 550	1	1	Adjusting screw	Justerskruv	5	
0400	13	79 10 460	1	1	Nut	Mutter	5	
0420	14	71 04 698	1	1	Bracket R.H.D.	Fäste R.H.D.	3	
0440	15	73 32 398	1	1	Side support cushion	Sidostöds kudde R.H.D.	4	44)
0460					R.H.D.			
0480	16	71 76 423	1	1	Bracket R.H.D.	Fäste R.H.D.	5	44)
0600	17	79 46 742	4	4	Screw R.H.D.	Skruv R.H.D.	5	44)
0520	18	79 14 708	2	2	Nut R.H.D.	Mutter R.H.D.	5	44)
0540	18	79 10 557	2	2	Washer R.H.D.	Bricka R.H.D.	5	44)
0560	20	79 16 505	2	2	Washer R.H.D.	Bricka R.H.D.	5	44)
0580	20	70 85 632	1	1	Rubber bushing R.H.D.	Gummbussning R.H.D.	3	44)
0600	21	70 16 505	1	1	Spacer sleeve R.H.D.	Distanshylsa R.H.D.	5	44)
0620	23	71 04 730	1	1	Rubber washer R.H.D.	Gummbricka R.H.D.	5	44)



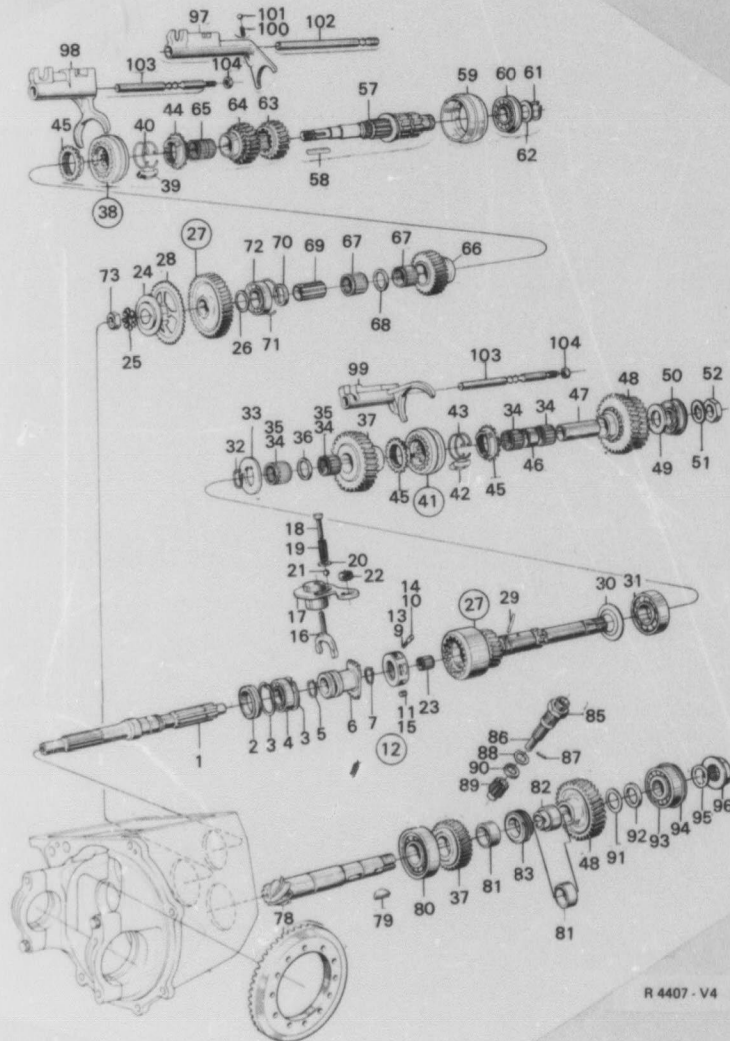
R 1690 - V4

- 1. Ch. 453.232.96 - 46.106.95
- 2. Ch. 453.233 - 96.49.106 - 95.
- 44. Not included in gear box assy.
- 45. Gear box 8802464 RHD
- 46. Gear box 8899006
- 47. Gear box 8809030 RHD

0 General	1-A02
Complete	1-C02
1 Tools	1-F02
2 Engine	1-G02
3 Electrical System, Instruments	2-A02
4 Transmission	2-E02
5 Brakes	2-G02
6 Front assembly, Steering	2-I02
7 Suspension, Wheels	2-J02
8 Body	3-A02
9 Accessories	3-K02
10 Numerical Index	4-A02

4 GROUP INDEX

Clutch	2-E06
Clutch control	2-E08
Gear box	2-E12
Drive shafts, outer uni- versal joint	2-F04
Rear axle, see group 7.	



0300

<b>Gear box</b>	<b>Växellåda</b>	Date Datum	Illustration Bild nr	Group Grupp	Page Sida
Shafts, gears, gear-shifts bars	Axlar, kuggjul, växelförare	1982-04	R4407	4	19

Fig. Pos.	Part No Art nr	Quantity/Antal			Description	Benämning	K/S	Notes Anmärkning
		95 45)	95 46)	95 47)				
0020	1 70 81 953	1	1	1	Clutch shaft	Lamellaxel	3	46,46,47)
0040	2 71 94 095	1	1	1	Sealing ring	Tätningaring	S	2
0080	3 79 14 997	2	2	2	Lock ring	Låsring	5	
0080	4 70 33 335	1	1	1	Ball bearing	Kullager	3	
0100	5 79 15 178	2	2	2	Lock ring	Låsring	5	
0120	6 70 74 305	1	1	1	Clutch, freewheel	Koppling, frihjul	0	
0140	7 79 15 165	1	1	1	Lock ring	Låsring	5	
0180								71 94 319
0200	9 70 74 321	6	6	6	Spring, freewheel	Fjäder, frihjul	5	33)
0220	10 70 74 339	6	6	6	Plunger, freewheel	Plunge, frihjul	0	23)
0240	11 70 74 313	6	6	6	Roller, freewheel	Rulle, frihjul	0	33)
0280	12 87 11 814	1	1	1	Freewheel Assy.	Frihjul kpl	0	
0300	13 83 43 535	20	20	20	Spring	Fjäder	5	31)
0320	13 87 11 830	20	20	20	Spring	Fjäder	5	32)
0340	14 83 43 527	20	20	20	Plunger	Plunge	0	31)
0360	15 87 11 948	20	20	20	Plunger	Plunge	0	32)
0400	16 83 43 519	10	10	10	Roller	Rulle	0	GEAR BOX 114.960-
0420	16 70 74 909	1	1	1	Fork, freewheel control	Gaffel, frihjulsmånövrering	0	
0440	17 71 04 854	1	1	1	Shaft, freewheel control	Axel, frihjulsmånövrering	0	
0460							5	
0480	18 79 03 180	1	1	1	Screw	Skruv	0	
0500	19 70 74 968	1	1	1	Spring, freewheel control	Fjäder, frihjulsmånövrering	5	
0520							5	
0540	20 80 29 995	1	1	1	Washer	Bricka	5	
0560	21 70 74 958	1	1	1	Ball	Kula	5	
0580	22 70 83 091	1	1	1	Rubber bushing	Gummibussning	4	
0600	23 70 74 347	1	1	1	Needle bearing	Nållager	S	3
0620	24 71 04 474	1	1	1	Friction washer	Frikationsbricka	S	4 27)
0640	24 71 94 228	1	1	1	Friction washer	Frikationsbricka	S	4 28)
0660	25 79 15 614	1	1	1	Washer	Bricka	S	5 27)
0680	25 71 94 624	1	1	1	Washer	Bricka	S	5 28)
0700	26 71 04 482	1	1	1	Shim	Skiva	5	GEAR BOX- 218.480.
0720	27 78 47 809	1	1	1	Intermediate shaft	Mellanväxel kpl.	5	GEAR BOX- 20.822.
0740								
0760	28 71 94 129	1	1	1	Friction wheel	Friktionshjul	6	GEAR BOX- 20.822.
0780	27 78 54 573	1	1	1	Intermediate shaft	Mellanväxel	5	GEAR BOX 20.823- 65.557.
0800	27 78 67 963	1	1	1	Intermediate shaft	Mellanväxel	5	26.27)
0820	27 88 14 410	1	1	1	Intermediate shaft	Mellanväxel	5	28.29)
0840	27 87 10 212	1	1	1	Intermediate shaft	Mellanväxel	5	30)
0860	28 71 94 129	1	1	1	Friction wheel	Friktionshjul	6	GEAR BOX 20.823-
0880	29 79 10 680	1	1	1	Cylindrical pin	Cylindrisk pinne	5	25)
0900	30 71 94 293	1	1	1	Deflector	Avkastarring	4	28)
0920	31 71 04 268	1	1	1	Ball bearing	Kullager	S	3 25)
0940	31 71 94 277	1	1	1	Ball bearing	Kullager	S	3 26)
0960	32 70 74 412	1	1	1	Lock ring	Låsring	5	
0980	33 70 73 133	1	1	1	Washer	Bricka	4	25)
1000	33 71 94 255	1	1	1	Washer	Bricka	4	26)
1020	34 70 80 138	4	4	4	Needle bearing	Nållager	3	25)
1040	34 70 80 138	2	2	2	Needle bearing	Nållager	S	3 26)
1060	35 71 94 269	2	2	2	Needle bearing	Nållager	S	3 26)

- 25. Gear box-65.557.
- 26. Gear box-65.558-
- 27. Gear box-108.910.
- 28. Gear box-108.911-
- 29. Gear box-315.084.
- 30. Gear box 315.085-
- 31. Gear box 114.960-369.278.
- 32. Gear box 369.279-
- 33. Gear box-114.859.
- 45. Gear box 8802464 RHD
- 46. Gear box 8809006.
- 47. Gear box 8809030 RHD

R 4407 - V4

0 General	1-A02
Complete	1-C02
1 Tools	1-F02
2 Engine	1-G02
3 Electrical System, Instruments	2-A02
4 Transmission	2-E02
5 Brakes	2-G02
6 Front assembly, Steering	2-I02
7 Suspension, Wheels	2-J02
8 Body	3-A02
9 Accessories	3-K02
10 Numerical Index	4-A02

4 GROUP INDEX

Clutch	2-E06
Clutch control	2-E08
Gear box	2-E12
Drive shafts, outh universal joint	2-F04
Rear axle, see group 7.	



SAAB  
genuine parts  
original reservdelar

# 2-E22

SAAB V4  
M67-80

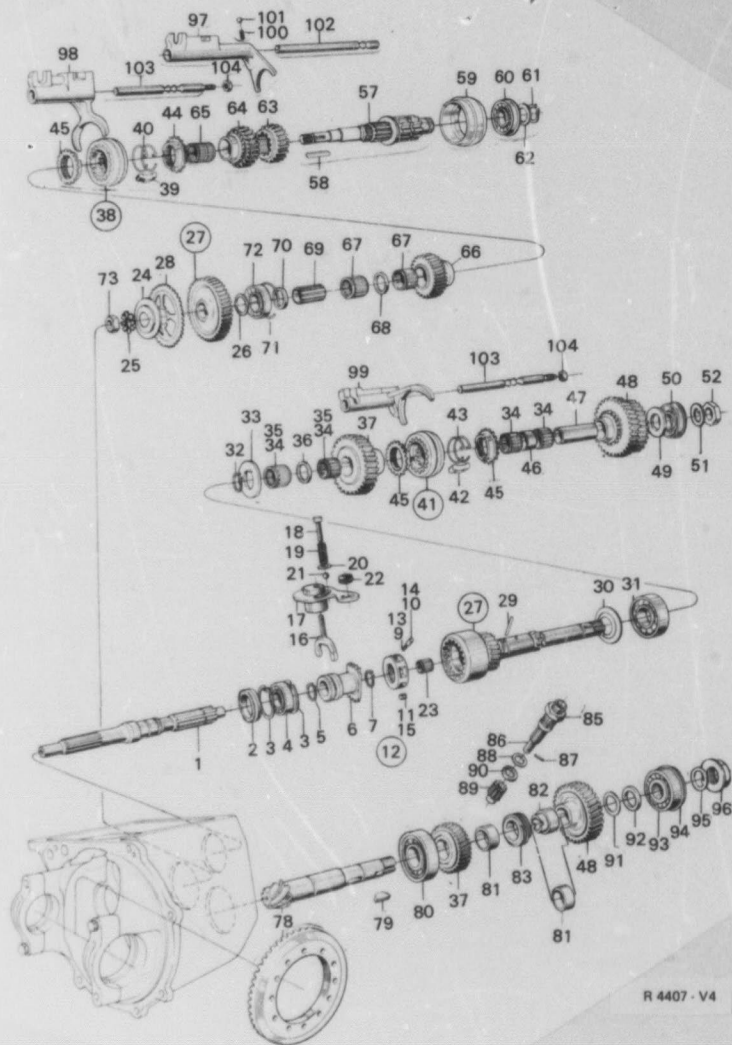
## MASTER INDEX

- 0 General 1-A02
- Complete 1-C02
- 1 Tools 1-F02
- 2 Engine 1-G02

- 3 Electrical System, Instruments 2-A02
- 4 Transmission 2-E02
- 5 Brakes 2-G02
- 6 Front assembly, Steering 2-I02
- 7 Suspension, Wheels 2-J02
- 8 Body 3-A02
- 9 Accessories 3-K02
- 10 Numerical Index 4-A02

## 4 GROUP INDEX

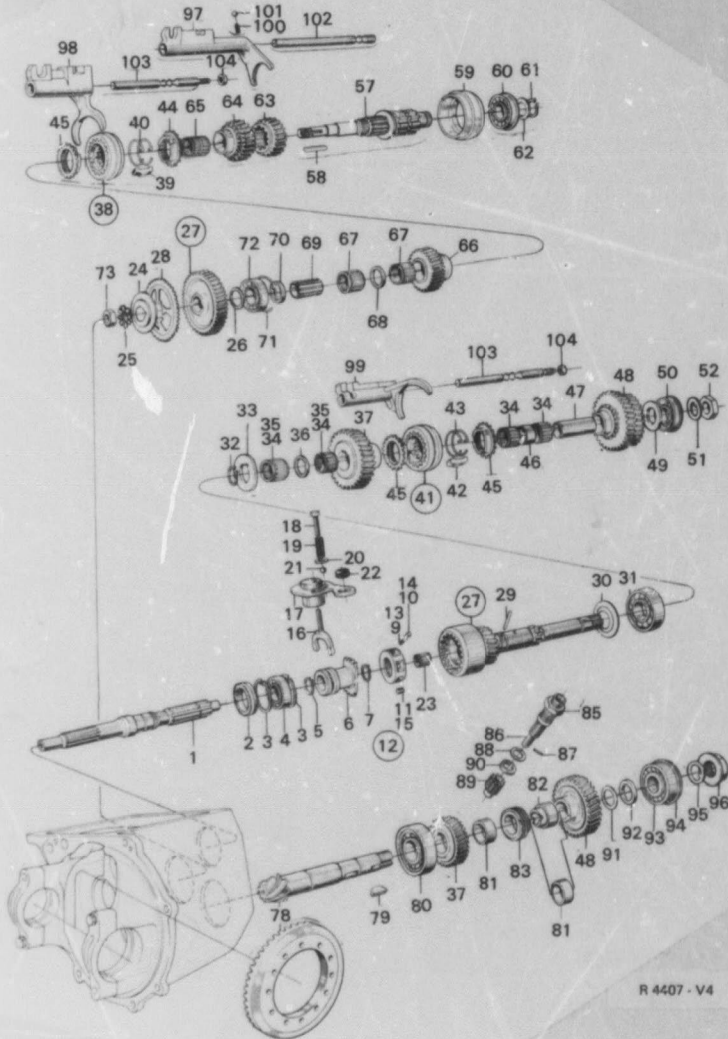
- Clutch 2-E06
- Clutch control 2-E08
- Gear box 2-E12
- Drive shafts, outer universal joint 2-F04
- Rear axle, see group 7.



0300 Gear box		Växellåda			Date	Illustration	Group	Page
Shafts, gears, gear-shifts bars		Axlar, kuggjul, växelförare			Datum	Bild nr	Grupp	Sida
					1982-04	R4407	4	21
Fig. Pos.	Part No Art nr	Quantity/Antal			Description	Benämning	K/S	Notes Anmärkning
		95 46)	96 46)	98 47)				
1080	38	70 81 938	1	1	Spacer ring 4 th	Distansring 4:an	5	26)
1100	37	78 35 549	1	1	Set of gears 4 th	Drevsats 4:an	4	26)
1120	37	78 67 971	1	1	Set of gears 4 th	Drevsats 4:an	4	26)
1140	38	71 67 532	1	1	Synchronization, 1 st and 2 nd w.y.	Synkronisering, 1:an och 2: an kpl.	5	
1160	30	70 81 102	3	3	Driver	Medbringare	4	
1200	40	71 24 290	2	2	Spring ring	Fjädderring	4	
1220	41	71 67 521	1	1	Synchronization, 3 rd and 4 th assy.	Synkronisering, 3:an Och 4:an kpl.	5	
1240	42	70 81 102	3	3	Driver	Medbringare	4	
1260	43	73 32 372	2	2	Spring ring	Fjädderring	4	
1300	44	71 67 596	1	1	Synchronizing ring, 1 st gear	Synkroniseringsring, 1:ans driv	3	
1340	45	70 81 383	3	3	Synchronizing, 2 nd, 3 rd and 4 th gear	Synkroniseringsring, 2:ans, 3:ans och 4:ans driv	3	
1360					Spacer ring 3 rd gear	Distansring 3:ans driv	5	
1400	46	70 81 912	1	1	Bushing	Bussning	4	
1420	47	70 80 229	1	1	Set of gears 3 rd	Drevsats 3:an	4	
1460	48	78 46 392	1	1	Washer	Bricka	4	
1480	49	70 73 471	1	1	Ball bearing	Kullager	3	
1500	50	87 10 329	1	1	Lock plate	Låsbleck	S3	
1520	51	71 94 857	1	1	Nut	Mutter	5	27)
1540	52	82 34 825	1	1	Nut	Mutter	5	28)
1560	53	71 94 616	1	1	Intermediate shaft	Mellanaxel	5	27)
1580	57	71 67 447	1	1	Intermediate shaft	Mellanaxel	5	28,29)
1600	57	71 94 202	1	1	Intermediate shaft	Mellanaxel	5	30)
1620	57	87 04 835	1	1	Key	Plattfil	5	
1640	58	70 80 922	1	1	Bearing seat	Lagersäte	5	
1660	59	71 67 414	1	1	Ball bearing	Kullager	S3	
1680	60	71 94 145	1	1	Lock ring	Låsring	5	
1700	61	79 15 143	1	1	Washer	Bricka	4	
1720	62	71 67 224	1	1	Reverse gear	Backdräv	4	
1740	63	71 67 174	1	1	Drive gear 1 st	Kuggdräv 1:an	4	
1760	64	71 67 186	1	1	Needle bearing	Nållager	S3	27)
1780	65	88 09 388	1	1	Drive gear 2 nd	Kuggdräv 2:an	4	
1800	66	70 81 359	1	1	Needle bearing	Nållager	S3	27)
1820	67	70 80 138	2	2	Spacer ring 2 nd gear	Distansring 2:ans driv	4	27)
1840	68	70 80 344	1	1	Bushing, intermediate shaft	Bussning, mellanaxel	4	27)
1860	69	70 80 336	1	1	Bushing, intermediate shaft	Bussning, mellanaxel	4	28,29)
1900	69	71 94 335	1	1	Bushing, intermediate shaft	Bussning, mellanaxel	4	30)
1940	69	87 04 843	1	1	Washer, intermediate shaft	Bricka, mellanaxel	4	28)
1960	70	70 74 131	1	1	Washer, intermediate shaft	Bricka, mellanaxel	4	30)
2000	70	87 04 850	1	1	Retaining ring	Låsring	4	
2040	71	70 74 690	1	1	Ball bearing	Kullager	S3	28)
2060	72	70 73 869	1	1	Ball bearing	Kullager	3	30)
2100	72	87 04 576	1	1	Nut bearing	Mutter	5	27)
2120	73	71 67 232	1	1				

- 25. Gear box-85.557.
- 26. Gear box 85.558.
- 27. Gear box-108.910.
- 28. Gear box 108.911.
- 29. Gear box-315.084.
- 30. Gear box 315.085.
- 45. Gear box 8802464 RHD
- 46. Gear box 8809008.
- 47. Gear box 8809030 RHD

R 4407 - V4



0200

Gear box Shafts, gears, gear-shifts bars		Växellåda Axlar, kugghjul, växelförare		Date return	Illustration Bild nr	Group Grupp	Page Sida	
				1982-04	R4407	4	23	
Fig. Pos.	Part No Art nr	Quantity/Anstal			Description	Benämning	K S R	Notes Anmärkning
		95 45)	96 46)	96 47)				
2100	73	71 94 616	1	1	Nut	Mutter	5	28)
2150	78	78 47 296	1	1	Pinion and crown wheel	Pinjong och kronhjul	5	5
2210	78	79 14 583	1	1	Woodruff key	Woodruffköl	5	5
2240	80	70 72 770	1	1	Roller bearing	Rulllager	5	3
2260	81	70 80 765	2	2	Spacer ring, pinion	Distansring utg. axel	4	34)
2280	81	70 80 765	1	1	Spacer ring, pinion	Distansring utg. axel	4	35)
2300	82	71 94 186	1	1	Speedometer drive gear	Hastighetsmätardrev	5	5
2320	83	71 94 178	1	1	Guide sleeve	Styrhylsa	5	5
2340	85	70 72 837	1	1	Shaft	Axel	5	5
2360	88	70 73 943	1	1	Cotter pin	Spännstift	5	5
2400	87	87 03 811	1	1	Shim 0, 2 mm	Shim 0, 2mm	5	5
2420	88	78 24 350	X	X	Shim 0, 5 mm	Shim 0, 5mm	5	5
2440	88	78 24 352	X	X	Gear	Kugghjul	5	4
2480	89	70 73 835	1	1	Gasket	Packning	5	4
2480	90	70 73 878	1	1	Shim 0, 10 mm	Shim 0, 10 mm	5	5
2500	91	78 22 083	X	X	Shim 0, 15 mm	Shim 0, 15 mm	5	5
2520	91	78 22 091	X	X	Shim 0, 30 mm	Shim 0, 30 mm	5	5
2540	91	78 22 109	X	X	Spacer ring 3, 10 mm	Distansring 3, 10 mm	4	4
2560	92	78 39 533	X	X	Spacer ring 3, 60 mm	Distansring 3, 60 mm	4	4
2600	93	71 87 570	1	1	Ball bearing	Vinkelkontaktlager	5	3
2620	94	70 74 990	1	1	Axle collar	Flänsring	5	5
2640	95	87 10 834	1	1	Lock plate	Låsbleck	5	5
2660	96	87 10 826	1	1	Nut	Mutter	5	5
2680	97	70 80 518	1	1	Gear shift bar R	Växelförare B	5	5
2700	98	71 87 356	1	1	Gear shift bar 1-2	Växelförare 1-2	5	5
2720	99	71 87 364	1	1	Gear shift bar 3-4	Växelförare 3-4	5	5
2740	100	70 72 739	3	3	Detent spring	Spärrfjäder	5	5
2760	101	87 11 067	3	3	Ball	Kula	5	5
2800	102	70 33 376	3	3	Gear shift rail R	Växelföraraxel B	5	5
2820	103	70 80 567	1	1	Gear shift rail 1-2	Växelföraraxel, 3-4	5	5
2840	104	71 87 372	2	2	Nut	Mutter	5	5
2860	104	79 04 147	2	2	Repair kit for gear box	Rep. sets för växellåda	5	5
2880		87 80 371	X	X	Bearing set, gear box	Lagersats, växellåda	5	5
2900		87 80 389	X	X	Bearing set, gear box	Lagersats, växellåda	5	5
2920		87 80 397	X	X	Bearing set, gear box	Lagersats, växellåda	5	5
2940		87 80 406	X	X			5	5
2960							5	5

R 4407 - V4

- 28. Gear box 708.911-
- 34. Ch. 459.526.96 - 50.187.96
- 35. Ch. 470.001 - 98.52.001 - 95
- 45. Gear box 8802464 RHD
- 46. Gear box 8809008
- 47. Gear box 8809030 RHD

- 0 General 1-A02
  - Complete 1-C02
  - 1 Tools 1-F02
  - 2 Engine 1-G02
  - 3 Electrical System, Instruments 2-A02
  - 4 Transmission 2-E02
  - 5 Brakes 2-G02
  - 6 Front assembly, Steering 2-I02
  - 7 Suspension, Wheels 2-J02
  - 8 Body 3-A02
  - 9 Accessories 3-K02
  - 10 Numerical Index 4-A02
- 4 GROUP INDEX
- Clutch 2-E06
  - Clutch control 2-E08
  - Gear box 2-E12
  - Drive shafts, other universal joint 2-F04
  - Rear axle, see group 7.

SAAB  
genuine parts  
original reservdelar

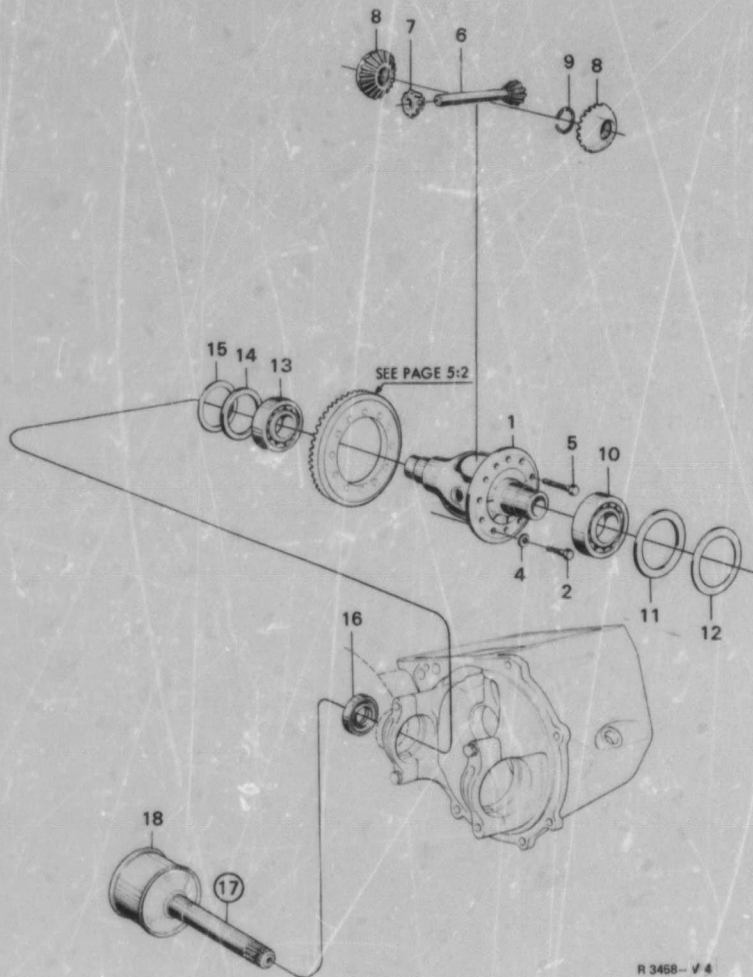
2-F02

SAAB V4  
M67-80

MASTER INDEX

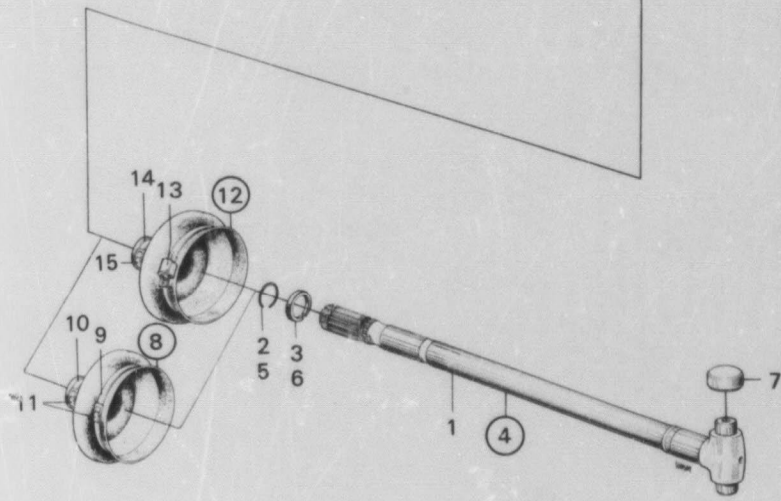
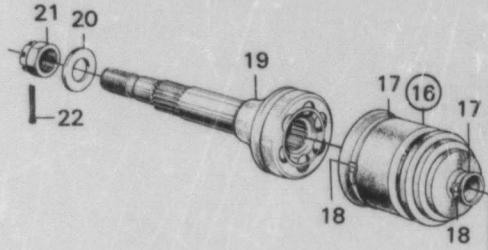
0 General	1-A02
Complete	1-C02
1 Tools	1-F02
2 Engine	1-G02
3 Electrical System, Instruments	2-A02
4 Transmission	2-E02
5 Brakes	2-G02
6 Front assembly, Steering	2-I02
7 Suspension, Wheels	2-J02
8 Body	3-A02
3 Accessories	3-K02
10 Numerical Index	4-A02
4 GROUP INDEX	
Clutch	2-E06
Clutch control	2-E08
Gear box	2-E12
Drive shafts, outer uni- versal joint	2-F04
Rear axle, see group 7.	

Fig. Pos.	Part No. Art. nr	Quantity/Antal			Description	Benämning	K/S S/L	Notes Anmärkning
		96 (45)	96 (46)	96 (47)				
0000	1	71 25 115	1	1	1	Differential case	Differentialhus	5 36,46,47
0040	1	71 9 517	1	1	1	Differential case	Differentialhus	5 27)
0060	2	76 00 78	10	10	10	Screw	Skruv	5 5
0060	4	80 29 35	12	12	12	Washer	Bricka	5 38)
0100	5	71 25 1 3	2	2	2	Screw	Skruv	5
0120	6	71 25 1-3	1	1	1	Differential shaft	Differentialaxel	4
0140	7	70 73 42	2	2	2	Differential pinion	Differentialdräv	5
0160	8	71 67 067	2	2	2	Differential side gear	Differentialhjul	4 36)
0200	8	83 42 875	2	2	2	Differential side gear	Differentialhjul	4 37)
0220	9	71 67 075	2	2	2	Lock ring	Låsring	5 38)
0260	9	83 42 858	2	2	2	Spring ring	Fjädersring	5 37)
C280	10	70 74 420	1	1	1	Ball bearing	Kullager	S 5
0300	11	78 13 918	X	X	X	Spacer ring 3,40	Distansring 3,40	5
0320	11	78 22 125	X	X	X	Spacer ring 3,90	Distansring 3,90	5
0360	12	78 13 826	X	X	X	Shim 0,10	Shim 0,10	5
0380	12	78 13 893	X	X	X	Shim 0,15	Shim 0,15	5
0400	12	78 13 901	X	X	X	Shim 0,30	Shim 0,30	5
0420	13	70 33 618	1	1	1	Ball bearing	Kullager	S 3
0430	14	71 24 899	X	X	X	Spacer ring 3,40	Distansring 3,40	5
0440	14	71 24 907	X	X	X	Spacer ring 3,90	Distansring 3,90	5
0480	15	76 24 915	X	X	X	Shim 0,10	Shim 0,10	5
0490	15	78 24 923	X	X	X	Shim 0,15	Shim 0,15	5
0500	15	78 24 931	X	X	X	Shim 0,30	Shim 0,30	5
0520	16	71 67 463	2	1	2	Sealing ring	Tätningring	S 2
0540	17	70 8 879	2	1	2	Inner driver assy.	Inre medbringare kpl.	6 36)
0560	17	83 42 873	2	1	2	Inner driver assy.	Inre medbringare kpl.	6 37)
0600	18	71 67 142	2	2	2	Sleeve	Hylsa	6
0620		87 80 413	X	X	X	Bearing set differential	Lagersats, differential	3



R 3468 - V 4

Fig. Pos.	Part No. Art nr	Quantity/Antal		Description	Benämning	K/S S/R L	Notes Anmärkning
		96	95				
0400				Drive shafts, outer universal, joint	Drivaxlar, yttre knut		
							1982-04 R2678 4 27
0020	1 71 67 091	2	2	Drive shaft, inner	Drivaxel, inre		42) SUPERSEDED BY 73,28,467)
0040	2 73 12 622	2	2	Lock ring	Låsring	S	5 42)
0080	3 73 13 042	2	2	Stop ring	Stoppring	S	0 42)
0100	4 73 28 487	2	2	Drive shaft, inner assy	Drivaxel, inre kpl.	S	5 43)
0120	5 73 12 622	2	2	Lockring	Låsring	S	5 43)
0140	6 73 12 630	2	2	Stop ring	Stoppring	S	5 43)
0180	7 71 67 018	4	4	Bearing	Lager	S	3
0200	8 78 46 789	2	2	Rubber bellows assy.	Gummidamask kpl.	S	SUPERSEDED BY 86 10 374
0220	9 71 67 117	2	2	Strap	Bandjärn	S	3 7)
0240	10 70 48 465	2	2	Strap	Bandjärn	S	5 8)
0260	11 70 48 473	4	4	Clamp	Klamma	S	3 8)
0280	12 86 10 374	2	2	Rubber bellows assy.	Gummidamask kpl.	S	3 8,40)
0300	12 86 17 009	2	2	Rubber bellows assy.	Gummidamask kpl.	S	3 8,40)
0320	13 79 63 630	2	2	Clamp	Klamma	S	5 41)
0340	13 79 70 171	2	2	Clamp	Klamma	S	5 8)
0360	14 70 48 465	2	2	Strap	Bandjärn	S	5 8)
0380	15 70 48 473	2	2	Clamp	Klamma	S	3 8)
0400	16 76 49 690	2	2	Sealing bellows assy.	Tätningståg kpl.	S	2
0420	17 71 67 117	4	4	Strap	Bandjärn	S	3 8)
0440	18 70 48 473	4	4	Clamp	Klamma	S	3 4
0460	10 73 12 606	2	2	Outer universal joint	Yttre drivknut	S	4
0480	20 70 98 310	2	2	Washer	Bricka	S	5
0500	21 79 04 279	2	2	Castle nut	Kronnutt	S	3
0520	22 79 04 676	2	2	Cotter pin	Saxpinne	S	3



R 2678 - V4

0 General	1-A02
Complete	1-C02
1 Tools	1-F02
2 Engine	1-G02
3 Electrical System, Instruments	2-A02
4 Transmission	2-E02
5 Brakes	2-G02
6 Front assembly, Steering	2-I02
7 Suspension, Wheels	2-J02
8 Body	3-A02
9 Accessories	3-K02
10 Numerical Index	4-A02

4 GROUP INDEX

Clutch	2-E06
Clutch control	2-E08
Gear box	2-E12
Drive shafts, outer universal joint	2-F04
Rear axle, see group 7.	

0050	BRAKES	BROMSAR	Date Datum	Group Grupp	Page Sida
			1982-04	5	1
	<b>TABLE OF CONTENTS</b>				
0020	Front wheel brake			5: 5	2-G06
0040	Disc brake				
0060	Rear wheel brake			5: 7	2-G08
0080	Drum brake				
0100	Footbrake system			5: 9	2-G10
0120	Master cylinder LHD and RHD model 1967-1968, and RHD model 1969			5: 11	2-G12
0140	Master cylinder LHD model 1969 and 1970, RHD ch 96.580.001-96722017570,			5: 11	2-G12
0160	96.080.001-96722006474			5: 13	2-G14
0180	Power brake unit LHD model 1969 and 1970, RHD ch 96.580.001-96722017570,			5: 13	2-G14
0200	96.080.001-96722006474			5: 13	2-G14
0220	Master cylinder and power brake unit LHD, as from model 1971			5: 15	2-G16
0240	Master cylinder and power brake unit RHD, ch 967220017571- 96722006475-			5: 17	2-G18
0260	Brakes lines, model 1967			5: 19	2-G20
0280	Brakes lines, as from model 1968			5: 21	2-G22
0300	Wheel cylinders			5: 25	2-H02
0320	Brake operation			5: 27	2-H04
0340	Handbrake system			5: 29	2-H06
0360	<b>INNEHÅLLSFÖRTECKNING</b>				
0380	Front wheel brake			5: 5	2-G06
0400	Skivbroms				
0420	Rear wheel brake			5: 7	2-G08
0440	Trumbroms				
0460	Footbrakesystem			5: 9	2-G10
0480	Huvudcylinder LHD och RHD modell 1967-1968 och RHD modell 1969			5: 11	2-G12
0500	Huvudcylinder LHD modell 1969 och 1970, RHD ch 96.580.001-96722017570,			5: 11	2-G12
0520	96.080.001-96722006474			5: 13	2-G14
0540	Vakuum servo LHD modell 1969 och 1970, RHD ch 96.580.001-96722017570,			5: 13	2-G14
0560	96.080.001-96722006474			5: 13	2-G14
0580	Huvudcylinder och vakuumservo LHD, from modell 1971			5: 15	2-G16
0600	Huvudcylinder och vakuumservo RHD, ch 96722017571- 96722006475			5: 17	2-G18
0620	Bromsledningar, modell 1967			5: 19	2-G20
0640	Bromsledningar, from modell 1968			5: 21	2-G22
0660	Hjulcylindrar			5: 25	2-H02
0680	Bromsanövrering			5: 27	2-H04
0700	Handbromssystem			5: 29	2-H06
0720	<b>INHALTSVERZEICHNIS</b>				
0740	Vorderradbremser			5: 5	2-G06
0760	Scheibenbremsen				
0780	Hinterradbremser			5: 7	2-G08
0800	Trommelbremsen				
0820	Fussbremssystem			5: 9	2-G10
0840	Hauptbremszylinder, links- und rechtsgesteuertes Auto Baujahr 1967-1968			5: 9	2-G10
0860	Rechtsgesteuertes Auto Baujahr 1969			5: 11	2-G12
0880	Hauptbremszylinder linksgesteuertes Auto Baujahr 1969 und 1970, rechtsgesteuertes Auto ch 96.580.001-96722017570, 96.080.001-96722006474			5: 11	2-G12
0900	Unterdruckservo linksgesteuertes Auto Baujahr 1969 und 1970, rechtsgesteuertes Auto ch 96.580.001-96722017570, 96.080.001-96722006474			5: 13	2-G14
0920	Hauptbremszylinder und Unterdruckservo linksgesteuertes Auto ab Baujahr 1971			5: 15	2-G16

MASTER INDEX

0	General	1-A02
	Complete	1-C02
1	Tools	1-F02
2	Engine	1-G02
3	Electrical System, Instruments	2-A02
4	Transmission	2-E02
5	Brakes	2-G02
6	Front assembly, Steering	2-I02
7	Suspension, Wheels	2-J02
8	Body	3-A02
9	Accessories	3-K02
10	Numerical Index	4-A02

5 GROUP INDEX

Front wheel brake	2-G06
Rear wheel brake	2-G08
Footbrake system	2-G10
Handbrake system	2-H06

SAAB V4  
M67-80

2-G03

SAAB  
genuine parts  
original reservdelar

Page Side	Group Grupp	Date Datum	BRAKES	BROMSAR
2	5	1962-04		
1380			Hauptbremszylinder und Unterdruckservo rechtsgesteuertes Auto ch 96722017.....	5:17 2-G18
1400			571-, 95722006475.....	5:17 2-G18
1420			Bremsleitungen Baujahr 1967.....	5:19 2-G20
1440			Bremsleitungen ab Baujahr 1968.....	5:21 2-G22
1460			Radzylinder.....	5:25 2-H02
1480			Bedienungsorgan.....	5:27 2-H04
1500			Handbremsystem.....	5:29 2-H06
1520				
1540				
1560				
1580				
1600				
1620				
1640				
1660				
1680				
1700				
1720				
1740				
1760				
1780				
1800				
1820				
1840				
1860				
1880				
1900				
1920				
1940				
1960				
1980				
2000				
2020				
2040				
2060				
2080				
2100				
2120				
2140				
2160				
2180				
2200				
2220				
2240				
2260				
2280				
2300				
2320				
2340				
2360				
2380				
2400				
2420				
2440				
2460				
2480				
2500				
2520				
2540				
2560				
2580				

G04

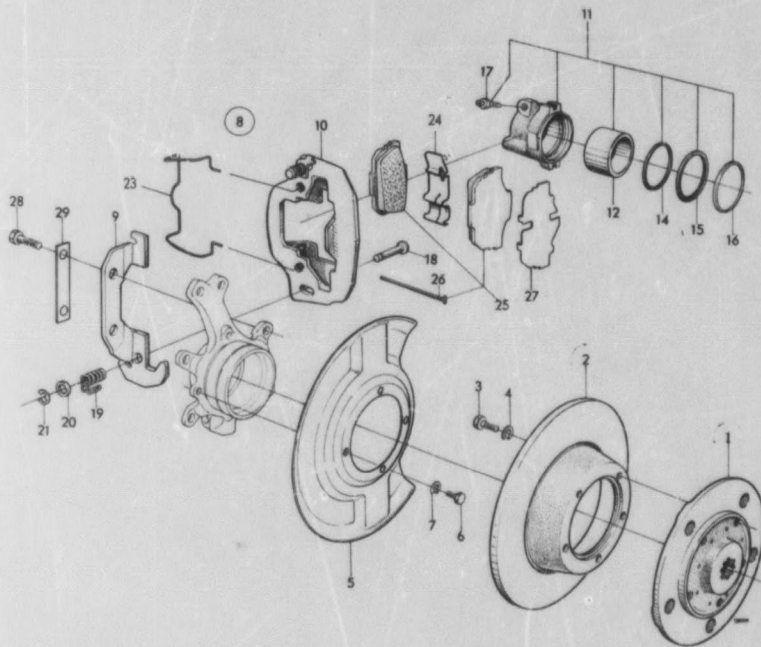
MASTER INDEX

0 General	1-A02
Complete	1-C02
1 Tools	1-F02
2 Engine	1-G02
3 Electrical System, Instruments	2-A02
4 Transmission	2-E02
5 Brakes	2-G02
6 Front assembly, Steering	2-I02
7 Suspension, Wheels	2-J02
8 Body	3-A02
9 Accessories	3-K02
10 Numerical Index	4-A02

5 GROUP INDEX

Front wheel brake	2-G06
Rear wheel brake	2-G08
Footbrake system	2-G10
Handbrake system	2-H06

0100		Front wheel brake		Framhjulsbroms		Date	Illustration	Group	Page
		Disc brake		Skivbroms		Datum	Bild nr	Grupp	Sida
						1982-04	R2927	5	5
Fig. Pos.	Part No. Art nr	Quant./Antal		Description	Benämning	K/S	Notes	Notes	
		96	95					S/R	Anmärkning
0020	1	73 27 752	2	2	Hub	Näv			
0040	2	73 28 057	2	2	Brake disc	Bromsskiva			
0060	3	79 03 184	10	10	Screw	Skruv			
0080	4	79 10 557	10	10	Washer	Bricka			
0100	5	73 28 040	2	2	Splash guard	Skyddsplåt			
0120	6	79 34 763	8	8	Screw	Skruv			
0140	7	79 10 540	8	8	Washer	Bricka			
0160	8	73 52 370	1	1	Caliper body LH	Bromshus kpl V	4	(7352485)	
0180	8	73 52 388	1	1	Caliper body RH	Bromshus kpl H	4	(7352503)	
0200	9	73 23 405	1	1	Bracket LH	Fäste V			
0220	9	73 23 413	1	1	Bracket RH	Fäste H			
0240	10	73 52 511	1	1	Yoke assy LH	Ök kpl V			
0260	10	73 52 529	1	1	Yoke assy RH	Ök kpl H			
0280	11	73 28 463	1	1	Brake cyl assy LH	Bromscyl kpl V			
0300	11	73 28 461	1	1	Brake cyl assy RH	Bromscyl kpl H			
0320	12	73 23 793	2	2	Piston	Kolv			
0340	14	71 81 076	2	2	Main seal ring	Huvudtätning	S		
0360	15	71 81 084	2	2	Seal ring	Tätningring	S		
0380	16	71 81 092	2	2	Seal retaining	Tätningshållare	S		
0400	17	70 63 076	2	2	Bleeder screw	Luftningsskruv	S		
0420	18	73 52 347	2	2	Bolt	Bult			
0440	19	73 23 919	2	2	Spring	Språffjäder			
0460	20	73 23 827	2	2	Washer	Bricka			
0480	21	73 23 836	2	2	Springclip	Språrryttare			
0500	23	73 52 479	2	2	Lock spring	Låsffjäder			
0520	24	73 23 900	1	1	Friction pad clip LH	Hållffjäder V			
0560	24	73 23 918	1	1	Friction pad clip RH	Hållffjäder H			
0640	25	78 54 581	1	1	Friction pad kit assy	Bromsklotsatts kpl			37)
0660	25	78 68 284	1	1	Don 85	Don 85			1 38)
0700	25	88 14 394	1	1	Ferodo F 2430	Ferodo F 2430			1) INTENDED FOR CARS WITH POWER BRAKES.
0740	25	78 68 284	1	1	Friction pad kit assy	Bromsklotsatts kpl			1 2)
0760	25	78 68 284	1	1	Don-Bloc 82-108	Don-Bloc 82-108			
0780	25	78 68 284	1	1	Friction pad kit assy	Bromsklotsatts kpl			
0800	26	73 24 007	4	4	Ferodo F 2430	Ferodo F 2430			
0820	27	73 23 882	1	1	Split pin	Saxpinne	S		
0840	27	73 23 526	1	1	Damping shim LH	Dämpplåt V			
0860	28	73 23 569	4	4	Damping shim RH	Dämpplåt H			
0880	28	71 84 153	4	4	Screw	Skruv			
0900	28	73 23 569	2	2	Lockplate	Låsplåt			
0920	28	71 84 153	4	4	Piston seal set, disc brake	Packningssats, skivbroms			



R 2927 - V4

0 General	1-A02
Complete	1-C02
1 Tools	1-F02
2 Engine	1-G02
3 Electrical System, Instruments	2-A02
4 Transmission	2-E02
5 Brakes	2-G02
6 Front assembly, Steering	2-I02
7 Suspension, Wheels	2-J02
8 Body	3-A02
9 Accessories	3-K02
10 Numerical Index	4-A02

5 GROUP INDEX

Front wheel brake	2-G06
Rear wheel brake	2-G08
Footbrake system	2-G10
Handbrake system	2-H06

SAAB  
genuine parts  
original reservdelar

2-G08

SAAB V4  
M67-80

MASTER INDEX

0150

Rear wheel brake  
Drum brake

Bakhjulsbroms  
Trumbroms

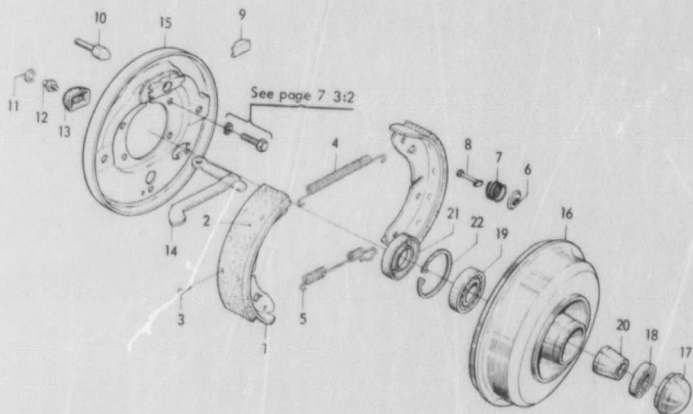
Date  
Datum  
1982-04

Illustration  
Bild nr  
R4401

Group  
Grupp  
5

Page  
Sida  
7

Fig. Pos.	Part No Art nr	Quantity/Antal		Description	Benämning	K/S S/R L	Notes Anmärkning
		96	95				
0620	1 88 16 736	4	4	Brake shoe with lining	Bromsback med belägg	0	(73 28 156)
0640	2 78 48 922	1	1	Set of brake linings	Bromsbandsats	2	3)
0280	2 88 15 189		1	Set of brake linings	Bromsbandsats	2	4)
0300	2 78 48 922		1	Set of brake linings	Bromsbandsats	2	5)
0120	3 70 29 911	40	40	Rivet	Nit	S	3)
0340	4 71 75 037	2	2	Spring	Fjäder	2	2)
0360	5 71 82 719	1	1	Spring LH	Fjäder V		
0380	5 71 82 727	1	1	Spring RH	Fjäder H		
0400	6 71 62 241	4	4	Washer	Bricka	S	2)
0420	7 71 62 233	4	4	Spring	Fjäder	2	2)
0440	8 71 83 783	4	4	Pin	Pinne	2	2)
0460	9 71 75 094	4	4	Tappet	Justerback	2	2)
0480	10 71 75 078	2	2	Adjusting screw	Justerskruv	2	2)
0500	11 71 75 763	2	2	Washer	Bricka	S	5)
0520	12 71 68 966	2	2	Bleeder	Luftningskruv	2	2)
0540	13 71 82 735	2	2	Boot	Tätningståg	2	2)
0560	14 71 82 693	1	1	Lever Assy LH	Hövarm V	3	3)
0580	14 71 82 701	1	1	Lever Assy RH	Hövarm H	3	3)
0600	15 71 63 791	1	1	Back plate LH	Bromsköld V	4	4)
0620	15 73 26 255	1	1	Back plate LH	Bromsköld V	4	4)
0640	15 71 63 809	1	1	Back plate RH	Bromsköld H	4	4)
0660	15 73 28 263	1	1	Back plate RH	Bromsköld H	4	4)
0680	16 71 99 649	2	2	Hub	Hjulnav	5	5)
0700	16 72 02 906	2	2	Hub	Hjulnav	5	5)
0720	17 70 34 523	2	2	Cap	Kapsel	2	2)
0740	18 70 33 343	2	2	Ball bearing	Kullager	2	2)
0760	19 70 29 051	2	2	Ball bearing	Kullager	2	2)
0780	19 70 31 305	2	2	Ball bearing	Kullager	2	2)
0800	20 71 99 730	2	2	Spacer sleeve	Distanshylsa	5	5)
0820	20 72 02 104	2	2	Spacer sleeve	Distanshylsa	5	5)
0840	21 71 05 976	2	2	Shaft seal	Axeltätning	S	2)
0860	22 72 03 540	2	2	Lock ring	Låsring	5	5)



R 4401 - V 4

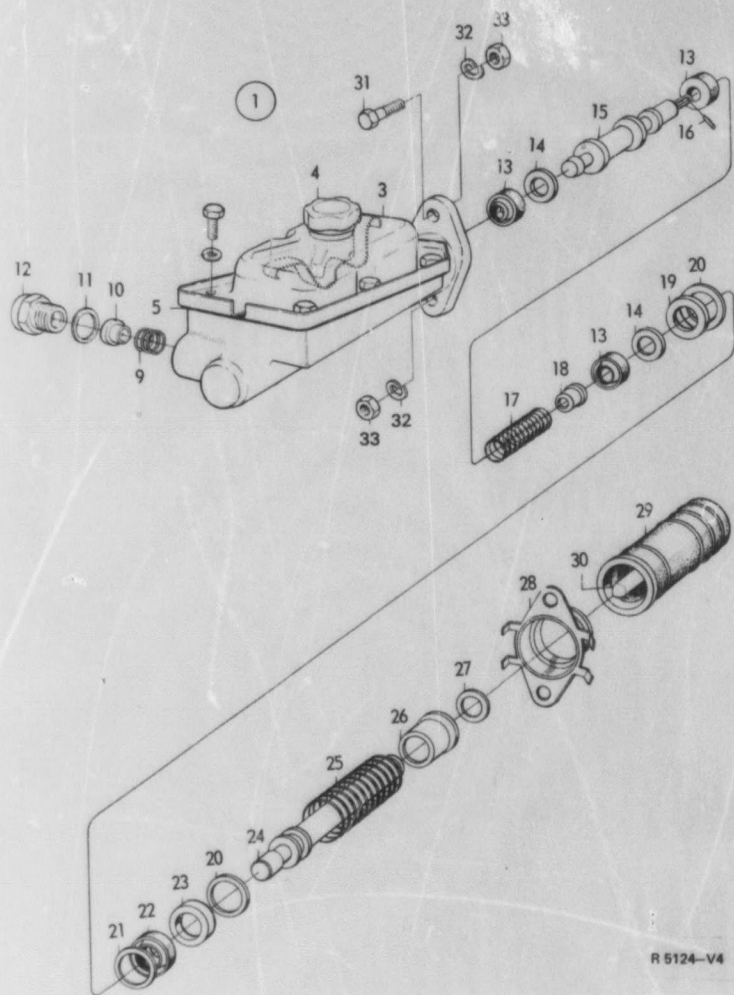
3. Ch. 62.059.95.  
4. Ch. 95.065.001-074.986.  
5. Ch. 95.060.001-  
39. Ch. 329.926-.96.

0 General	1-A02
Complete	1-C02
1 Tools	1-F02
2 Engine	1-G02
3 Electrical System, Instruments	2-A02
4 Transmission	2-E02
5 Brakes	2-G02
6 Front assembly, Steering	2-I02
7 Suspension, Wheels	2-J02
8 Body	3-A02
9 Accessories	3-K02
10 Numerical Index	4-A02

5 GROUP INDEX

Front wheel brake	2-G06
Rear wheel brake	2-G08
Footbrake system	2-G10
Handbrake system	2-H06





R 5124-V4

0200		Footbrake system		Fotbromssystem		Date	Illustration	Group	Page
		Master cylinder 1967-68		Huvudcylinder 1967-68		Datum	Bild nr	Grupp	Sida
		and RHD model 1969		och RHD modell 1969		1982-04	16124	5	9
Fig. Pos.	Part No Art.nr	Quantity/Antal		Description	Benämning	K/S	Notes	Anmärkning	
		96	95						
0020	1 73 12 028	1	1	Main cylinder assy	Huvudcylinder kpl		5 6		
0040	1 73 12 028	1	1	Main cylinder assy RHD	Huvudcylinder kpl RHD		5 7		
0050	3 73 12 168	1	1	Fluid container	Behållare		5		
0100	4 73 12 176	1	1	Cover	Lock		4		
0140	5 71 98 450	1	1	Gasket	Packning		4 41		
0160	5 73 28 008	1	1	Gasket	Packning		4 42		
0240	9 71 98 052	2	2	Spring	Fjäder		5		
0260	10 71 98 342	2	2	Valve body	Ventilkropp		4		
0290	11 71 98 431	2	2	Gasket	Packning		6		
0370	12 71 98 443	2	2	Union	Förskruvning		5		
0320	13 71 98 377	3	3	Gasket	Packning		S 5		
0340	14 71 75 343	2	2	Washer	Bricka		S 5		
0390	15 71 98 416	1	1	Piston	Kolv		5		
0380	16 71 98 421	1	1	Lock pin	Låsstift		5		
0400	17 73 37 413	1	1	Spring	Fjäder		6		
0420	18 71 98 385	1	1	Retainer	Hållare		6		
0440	19 71 98 351	1	1	Ring	Ring		5		
0480	20 71 98 310	2	2	Lock ring	Låsring		5		
0480	21 71 98 344	1	1	Ring	Ring		5		
0500	22 71 98 336	1	1	Gasket	Packning		S 5		
0520	23 71 98 328	1	1	Ring	Ring		S 5		
0540	24 71 98 389	1	1	Piston	Kolv		5		
0560	25 71 98 286	1	1	Spring	Fjäder		6		
0580	26 71 98 294	1	1	Retainer	Hållare		6		
0600	27 71 98 302	1	1	Lock ring	Låsring		6		
0620	28 71 98 278	1	1	Retainer	Hållare		S 5		
0640	29 71 98 060	1	1	Boot	Tätningstång		5		
0680	30 71 98 260	1	1	Push rod	Skruv		5		
0690	31 79 03 172	1	1	Screw	Skruv		5		
0780	32 79 10 857	2	2	Washer	Bricka		5		
0720	33 79 14 708	2	2	Nut	Mutter		5		
0740	78 36 430	X	X	Repair kit, main cylinder	Reparationsatts huvudcylinder		2		
0780									

0 General	1-A02
Complete	1-C02
1 Tools	1-F02
2 Engine	1-G02
3 Electrical System, Instruments	2-A02
4 Transmission	2-E02
5 Brakes	2-G02
6 Front assembly, Steering	2-I02
7 Suspension, Wheels	2-J02
8 Body	3-A02
9 Accessories	3-K02
10 Numerical Index	4-A02

5 GROUP INDEX

Front wheel brake	2-G06
Rear wheel brake	2-G08
Footbrake system	2-G10
Handbrake system	2-H06

6. Ch.-507.018,96 -62.059,95.  
7. Ch. 96.520.001- 96.065.001-  
41. Ch.-454.681,96 -49.392,95  
42. Ch. 454.685-96, 49.393-95

**SAAB**  
genuine parts  
original reservdelar

# 2-G12

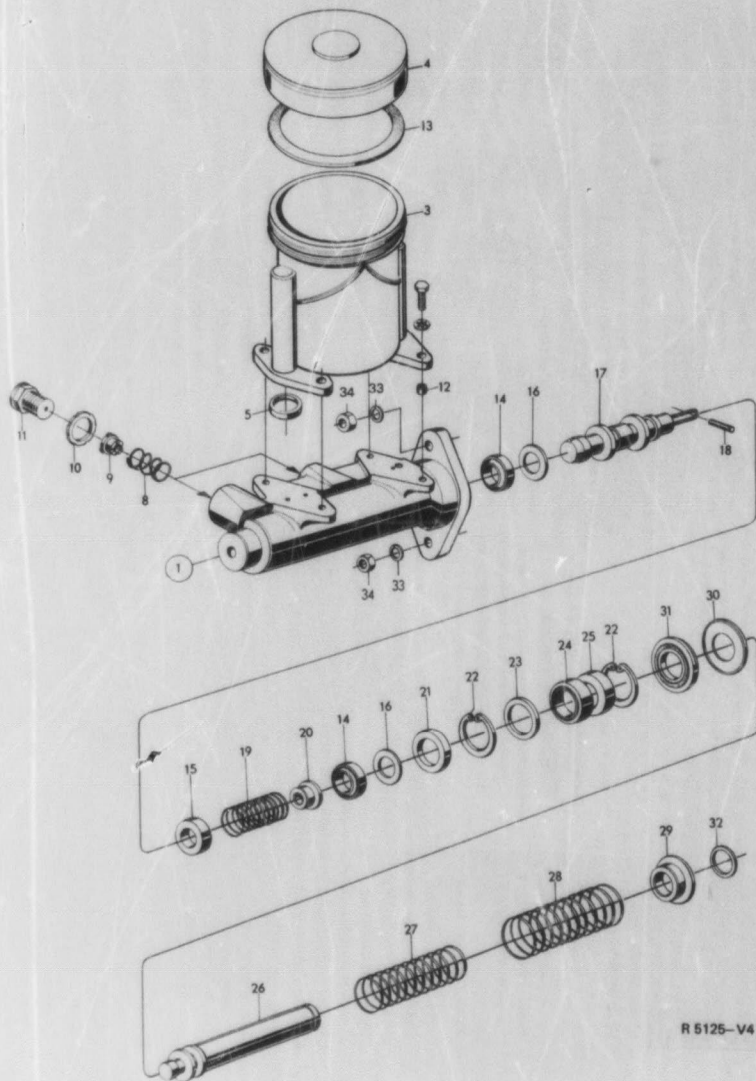
SAAB V4  
M67-80

## MASTER INDEX

0 General	1-A02
Complete	1-C02
1 Tools	1-F02
2 Engine	1-G02
3 Electrical System, Instruments	2-A02
4 Transmission	2-E02
5 Brakes	2-G02
6 Front assembly, Steering	2-I02
7 Suspension, Wheels	2-J02
8 Body	3-A02
9 Accessories	3-K02
10 Numerical Index	4-A02

## 5 GROUP INDEX

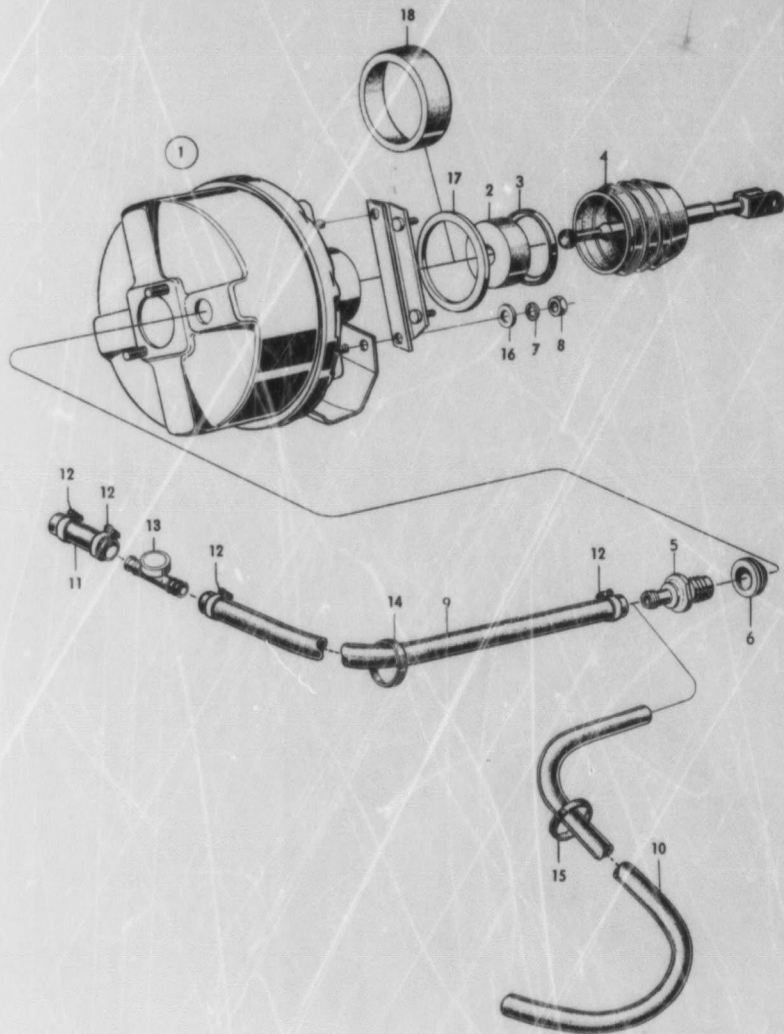
Front wheel brake	2-G06
Rear wheel brake	2-G08
Footbrake system	2-G10
Handbrake system	2-H06



0250	Footbrake system Master cylinder LHD modell 1969 and 1970 18)		Fotbromssystem Huvudcylinder LHD modell 1969 och 1970 18)		Date Datum	Illustration Bild nr	Group Grupp	Page Sida
	Fig. Pos.	Part No Art nr	Quantity/Antal		Description	Benämning	K/S S/R /L	Notes Anmärkning
			96	95				
0020	1	73 48 675	1	1	Master cylinder assy	Huvudcylinder kpl	S	5
0040	1	73 56 561	1	1	Master cylinder assy RHD	Huvudcylinder kpl RHD	S	5 18)
0080					Fluid container	Behållare	S	5 43)
0080	3	73 48 816	1	1	Fluid container	Behållare	S	5 44)
0100	4	73 72 433	1	1	Cover	Lock	S	4 46)
0140	5	73 46 824	2	2	Gasket	Packning	S	5
0220	8	71 99 052	2	2	Spring	Fjäder	S	5
0240	9	71 99 342	2	2	Valve body	Ventilkropp	S	5
0280	10	71 98 435	2	2	Gasket	Packning	S	5
0280	11	71 98 443	2	2	Union	Förskruvning	S	5
0300	12	73 48 857	4	4	Spacer tube	Distansrör	S	5
0320	13	73 48 873	1	1	Gasket	Packning	S	5
0340	14	73 48 786	2	2	Gasket	Packning	S	5
0390	15	73 52 836	1	1	Cylinder gasket	Cylinderpackning	S	5
0390	16	73 48 758	2	2	Washer	Bricka	S	5
0400	17	73 48 808	1	1	Piston	Kolv	S	5
0420	18	71 98 401	1	1	Lock pin	Låsstift	S	5
0440	19	73 37 413	1	1	Spring	Fjäder	S	5
0480	20	71 98 385	1	1	Retainer	Hållare	S	5
0480	21	71 98 351	1	1	Ring	Ring	S	5
0600	22	71 98 310	2	2	Lock ring	Låsring	S	5
0620	23	71 98 344	1	1	Ring	Ring	S	5
0640	24	71 98 336	1	1	Gasket	Packning	S	5
0660	25	71 98 338	1	1	Ring	Ring	S	5
0680	26	73 48 842	1	1	Piston	Kolv	S	5
0680	27	73 48 691	1	1	Spring	Fjäder	S	5
0920	28	73 48 725	1	1	Spring	Fjäder	S	5
0640	29	73 48 683	1	1	Retainer	Hållare	S	5
0660	30	73 48 733	1	1	Washer	Bricka	S	5
0680	31	73 48 741	1	1	Gasket	Packning	S	5
0700	32	71 98 302	1	1	Lock ring	Låsring	S	5
0720	33	78 10 657	2	2	Washer	Bricka	S	5
0740	34	78 04 083	2	2	Nut	Mutter	S	5
0760		88 15 516	X	X	Repair kit, main cylinder	Reparationsots, huvudcylinder	S	2

R 5125-V4

18. Ch. 96 580 001-96722017570, 96 080 001-96722006474.  
43. Ch.-96 545 102-96 072 489.  
44. Ch. 96 545 103-96 072 500-  
46. Ch. 96722000001-96722000001-



0300

Footbrake system		Fotbromssystem		Date	Illustration	Group	Page
Power brake unit LHD		Vakuumservo, LHD		Datum	Bild nr	Grupp	Sida
(model 1969, 1970 RHD 18)		modell 1969, 1970 RHD 18		1982-04	R5126	5	13
Fig. Pos.	Part No Art nr	Quantity/Antal		Description	Benämning	K/S S/R /L	Notes Anmärkning
		66	95				
0020	1 73 48 067	1	1	Power brake unit assy.....	Vakuumservo kpl .....	5	
0040	1 73 56 595	1	1	Power brake unit assy.....	Vakuumservo kpl .....	5	18)
0080				RHD .....	RHD .....		
0010	2 73 48 881	1	1	.Filter .....	.Filter .....	5	
0100	3 73 48 899	1	1	.Retainer .....	.Hållare .....	6	
0120	4 73 48 907	1	1	.Rubber bellows .....	.Gummibåg .....	6	
0140	5 73 52 321	1	1	.Non-return valve .....	.Backventil .....	4	
0160	6 73 52 339	1	1	.Rubber seal .....	.Gummitätning .....	6	
0180	7 78 10 557	4	4	Washer .....	Bricks .....	5	
0200	8 79 04 063	4	4	Nut .....	Mutter .....	5	
0220	9 73 56 702	1	1	Vacuum hose .....	Vakuumslang .....	5	
0240	10 73 71 057	1	1	Vacuum hose RHD .....	Vakuumslang RHD .....	5	1)
0260	11 73 95 288	1	1	Vacuum hose .....	Vakuumslang .....	0	(8910003)
0300	12 78 70 056	4	4	Hose clamp .....	Slangklämma .....	5	
0320	13 88 22 985	1	1	Non-return valve .....	Backventil .....	4	
0340	14 73 48 960	1	1	Rubber band .....	Gummiband .....	4	
0360	15 73 48 960	2	2	Rubber band RHD .....	Gummiband RHD .....	4	8)
0380	16 89 14 830	4	4	Seal washer .....	Tätningbricka .....	6	
0400	17 89 14 848	1	1	Seal ring .....	Tätningsring .....	6	
0420	18 73 56 512	1	1	Seal ring RHD .....	Tätningsring RHD .....	6	8)

R 5126-V4

0 General	1-A02
Complete	1-C02
1 Tools	1-F02
2 Engine	1-G02
3 Electrical System, Instruments	2-A02
4 Transmission	2-E02
5 Brakes	2-G02
6 Front assembly, Steering	2-I02
7 Suspension, Wheels	2-J02
8 Body	3-A02
9 Accessories	3-K02
10 Numerical Index	4-A02
5 GROUP INDEX	
Front wheel brake	2-G06
Rear wheel brake	2-G08
Footbrake system	2-G10
Handbrake system	2-H06

0350

**Footbrake system**  
Master cylinder and power  
brake unit LHD 1971-

**Fotbromssystem**  
Huvudcylinder och  
vakuumservo LHD 1971-

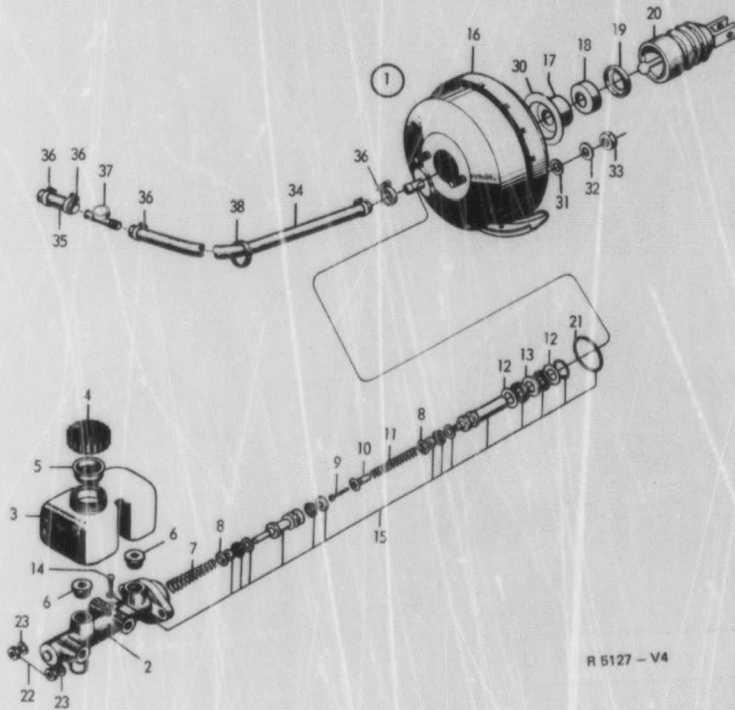
Date  
Datum  
1982-04

Illustration  
Bild nr  
R5127

Group  
Grupp  
5

Page  
Sida  
15

Fig. Pos.	Part No Art nr	Quantity/Antal		Description	Benämning	K S R	Notes Anmärkning
		96	95				
0020	1 73 71 503	1	1	Master cylinder with power brake unit assy	Huvudcylinder med vakuumservo kpl.	5	
0040	2 73 71 788	1	1	..Master cylinder assy	..Huvudcylinder kpl.	4	
0060	3 89 08 853	1	1	..Fluid container	..Behållare	5	
0100	4 89 08 873	1	1	..Cover	..Lock	4	
0120	5 89 08 881	1	1	..Strainer	..Sil	6	
0140	6 89 08 899	2	2	..Rubber collar	..Gummikrage	5	
0160	7 73 71 792	1	1	..Spring	..Fjäder	6	
0180	8 73 71 800	2	2	..Spring seat	..Fjädersäte	6	
0200	9 73 71 867	1	1	..Screw	..Skruv	5	
0220	10 73 71 875	1	1	..Sleeve	..Hyfsa	6	
0240	11 73 71 883	1	1	..Spring	..Fjäder	6	
0260	12 89 09 314	2	2	..Washer	..Bricka	5	
0280	13 89 09 830	1	1	..Ring	..Ring	6	
0300	14 89 09 855	1	1	..Screw	..Skruv	5	
0320	15 88 15 417	1	1	..Repair kit, master cylinder	..Reparationsöts, huvudcylinder	2	
0340	16 73 71 909	1	1	..Power brake	..Vakuumservo	5	
0360	17 89 09 186	1	1	..Filter	..Filter	5	
0400	18 89 09 178	1	1	..Muffler	..Ljuddämpare	6	
0420	18 89 09 194	1	1	..Retainer	..Hållare	6	
0440	20 89 18 674	1	1	..Rubber bellows	..Gummibalg	6	
0460	21 89 09 886	1	1	..O-ring	..O-ring	5	
0480	22 89 74 106	2	2	..Nut	..Mutter	5	
0500	23 79 10 557	2	2	..Washer	..Bricka	5	
0540	30 89 14 848	1	1	Seal ring	Tätningring	6	
0560	31 89 14 830	4	4	Seal washer	Tätningsbricka	6	
0580	32 79 10 557	4	4	Washer	Bricka	5	
0600	33 80 74 106	4	4	Nut	Mutter	5	
0620	34 72 82 247	1	1	Vacuum hose, long	Vakuumslang, lång	5	
0640	35 89 10 803	1	1	Vacuum hose, short	Vakuumslang, kort	0 (11)	
0660	35 73 95 288	1	1	Vacuum hose, short	Vakuumslang, kort	5 (12,53) ALL MARKETS EXCEPT SW	
0680	36 73 95 114	1	1	Vacuum hose, short	Vakuumslang, kort	5 (12,53) SW	
0710	35 73 95 114	1	1	Vacuum hose, short	Vakuumslang, kort	5 (54)	
0720	36 79 63 515	4	4	Hose clamp	Slangklämma	5 (9)	
0740	36 79 70 066	4	4	Hose clamp	Slangklämma	5 (10)	
0780	37 89 22 985	1	1	Non-return valve	Backventil	4	
0780	38 83 74 357	1	1	Rubber band	Gummiband	5	



R 5127 - V4

0 General	1-A02
Complete	1-C02
1 Tools	1-F02
2 Engine	1-G02
3 Electrical System, Instruments	2-A02
4 Transmission	2-E02
5 Brakes	2-G02
6 Front assembly, Steering	2-I02
7 Suspension, Wheels	2-J02
8 Body	3-A02
9 Accessories	3-K02
10 Numerical Index	4-A02
<b>5 GROUP INDEX</b>	
Front wheel brake	2-G06
Rear wheel brake	2-G08
Footbrake system	2-G10
Handbrake system	2-H06

SAAB  
genuine parts  
original reservdelar

# 2-G18

SAAB V4  
M67-80

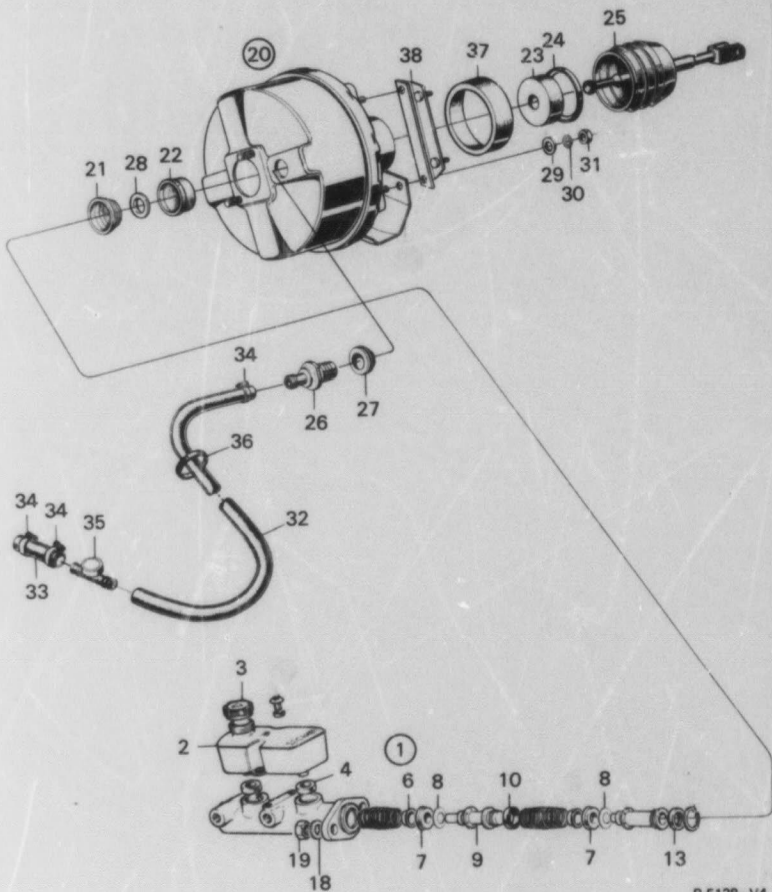
## MASTER INDEX

0 General	1-A02
Complete	1-C02
1 Tools	1-F02
2 Engine	1-G02
3 Electrical System, Instruments	2-A02
4 Transmission	2-E02
5 Brakes	2-G02
6 Front assembly, Steering	2-I02
7 Suspension, Wheels	2-J02
8 Body	3-A02
9 Accessories	3-K02
10 Numerical Index	4-A02

## 5 GROUP INDEX

Front wheel brake	2-G06
Rear wheel brake	2-G08
Footbrake system	2-G10
Handbrake system	2-H06

Fig. Pos.	Part No. Art nr	Quantity/Antal		Description	Benämning	K/S S/R L	Notes Anmärkning
		96	95				
0603	1	73 72 527	1	1	Master cylinder assy RHD	Huvudcylinder kpl RHD	5 21)
0640	2	73 72 543	1	1	Fluid container	Behållare	5
0980	3	73 12 176	1	1	Filler cap	Lock	4
0100	4	73 72 550	2	2	Seal	Packning	S 4
0180	7	73 72 818	2	2	Piston seal	Kolvtätning	S 5
0190	8	73 72 828	2	2	Washer	Bricks	S 5
0200	9	73 72 800	1	1	Piston	Kolv	S 5
0220	10	73 72 875	1	1	Piston seal	Kolvtätning	S 5
0280	13	73 72 853	1	1	Piston seal	Kolvtätning	S 5
0400	18	79 10 557	2	2	Washer	Bricks	S 5
0440	19	79 04 083	2	2	Nut	Mutter	5
0440	20	73 72 998	1	1	Power brake unit assy	Vakuumservo kpl	5 (7372891)
0460	21	73 72 717	1	1	Rubber seal	Gummitätning	S 6 13)
0480	21	73 95 031	1	1	Rubber seal	Gummitätning	S 6 14)
0500	22	73 72 709	1	1	Retainer	Hållare	6 13)
0520	22	73 95 023	1	1	Retainer	Hållare	6 14)
0540	23	73 48 881	1	1	Filter	Filter	5
0560	24	73 48 889	1	1	Retainer	Hållare	5
0580	25	73 48 907	1	1	Rubber bellows	Gummibälg	6
0600	26	73 52 321	1	1	Non-return valve	Backventil	4
0620	27	73 52 339	1	1	Rubber seal	Gummitätning	6
0640	28	73 95 015	1	1	Bearing	Lager	6 14)
0660	29	88 14 830	4	4	Seal washer	Tättningsbricks	6
0980	30	79 10 557	4	4	Washer	Bricks	5
0700	31	80 74 106	4	4	Nut	Mutter	5
0720	32	73 71 057	1	1	Vacuum hose	Vakuumslang	0 11)
0740	33	80 10 903	1	1	Vacuum hose	Vakuumslang	5 12) ALL MARKETS EXCEPT SWEDEN
0780	33	73 95 288	1	1	Vacuum hose	Vakuumslang	5 12) SWEDEN
0800	33	73 95 114	1	1	Vacuum hose	Vakuumslang	9)
0820	34	79 83 515	4	4	Hose clamp	Slangklamma	5 10)
0840	34	79 70 056	4	4	Hose clamp	Slangklamma	4
0860	35	89 22 985	1	1	Non-return valve	Backventil	4
0880	36	73 48 980	2	2	Rubber band	Gummiband	4
0900	37	73 56 512	1	1	Seal ring	Tättningsring	6
0920	38	73 56 637	1	1	Bracket	Fäste	1
0960		88 16 431	1	1	Repair kit, master	Reparationsatts	2
0980					Cylinder RHD	Huvudcylinder RHD	



R 5128-V4

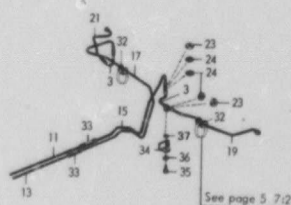
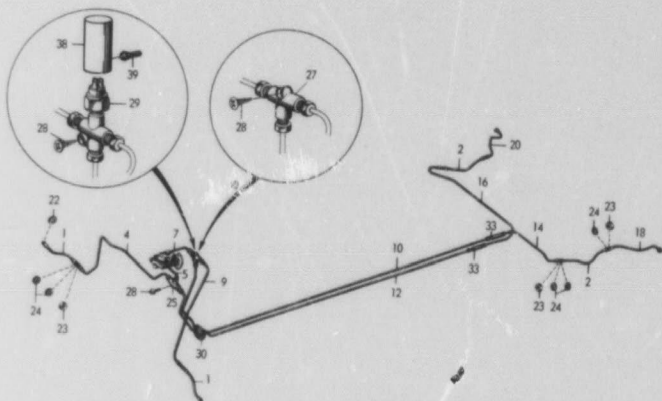
- 9. Ch.-96773009922.-96776009247.-95773003140.
- 10. Ch. 96783000001.-96786000001.-95783000001-
- 11. Ch.-96752015185.-96756007419.-95752002048.-95753003018.-95756000281.
- 12. Ch. 96752060001.-96762000001.-96766000001.-95753060001.-95763000001.-95766000001-
- 13. Ch.-96752007289.
- 14. Ch. 96752007290.-95753000001-
- 21. Ch. 96722017571.-95722008475-

0 General	1-A02
Complete	1-C02
1 Tools	1-F02
2 Engine	1-G02
3 Electrical System, Instruments	2-A02
4 Transmission	2-E02
5 Brakes	2-G02
6 Front assembly, Steering	2-I02
7 Suspension, Wheels	2-J02
8 Body	3-A02
9 Accessories	3-K02
10 Numerical Index	4-A02

5 GROUP INDEX

Front wheel brake	2-G06
Rear wheel brake	2-G08
Footbrake system	2-G10
Handbrake system	2-H06

Fig. Pos.	Part No Art nr	Quantity/Antal		Description	Benämning	KS SR	Notes Anmärkning
		96	95				
0020	1 73 95 254	2	2	Brake hose	Broms slang	4	
0040	2 72 85 186	2		Brake hose	Broms slang	4	
0060	3 72 85 174		2	Brake hose	Broms slang	4	
0080	4 73 12 275	1	1	Brake pipe	Bromsrör	5	
0100	5 73 12 309	1	1	Brake pipe	Bromsrör	5	
0140	7 73 12 226	1	1	Brake pipe	Bromsrör	5	
0180	9 73 12 192	1	1	Brake pipe	Bromsrör	5	
0200	10 73 26 180	1		Brake pipe	Bromsrör	6	
0220	11 72 50 335		1	Brake pipe	Bromsrör	6	
0240	12 73 28 172	1		Brake pipe	Bromsrör	6	
0280	13 72 50 368		1	Brake pipe	Bromsrör	6	
0290	14 73 28 198	1		Brake pipe	Bromsrör	6	
0300	15 72 46 731	1	1	Brake pipe	Bromsrör	6	
0320	16 73 28 222	1	1	Brake pipe	Bromsrör	6	
0340	17 72 50 392	1	1	Brake pipe	Bromsrör	6	
0360	18 73 71 184	1		Brake pipe LH	Bromsrör V	3	
0380	19 72 87 683	1	1	Brake pipe LH	Bromsrör V	3	
0400	20 73 71 172	1		Brake pipe RH	Bromsrör H	3	
0420	21 72 67 891		1	Brake pipe RH	Bromsrör H	3	
0440	22 70 29 830		2	Gasket	Packning	5	
0460	23 79 04 147	8	8	Nut	Mutter	5	
0480	24 79 61 843	10	10	Washer	Bricka	5	
0500	25 71 76 027	1	1	Three-way screw union	Trevägsförskruvning	5	
0520	26 71 76 027	1	1	Three-way screw union	Trevägsförskruvning	5	16)
0540	27 79 23 008	2	2	Screw	Skruv	5	
0560	28 71 75 680	1	1	Stop light switch	Stoppljuskontakt	3	15,47)
0600	30 73 12 184	1	1	Grommet	Genomföring	5	
0640	32 70 83 503		2	Pipe retainer	Rörhållare	5	
0660	33 72 34 149	2	2	Screw union	Förskruvning	5	
0680	34 72 49 618		1	Bracket fender sheet	Fästvinkel V	6	
0700				LH			
0720	34 72 49 628		1	Bracket fender sheet	Fästvinkel H	6	
0740				RH			
0760	35 79 03 008		2	Screw	Skruv	5	
0780	36 79 10 540		2	Washer	Bricka	5	
0800	37 79 14 690		2	Nut	Mutter	5	
0820	38 73 43 759	1	1	Protective, stop- light contact	Skyddshuv, stoppljus- kontakt	7	15)
0840				.Rubber plug	.Gummiplugg	7	15)
0860	39 71 51 905	1	1				



R 5129-V4

15. Ch. 439 333,96. -46 815,95.  
16. Ch. 439 334-.96. 46 816-.95.  
47. Stop light switch from ch. 439 334-.96. 46 816-.95. See group 3.

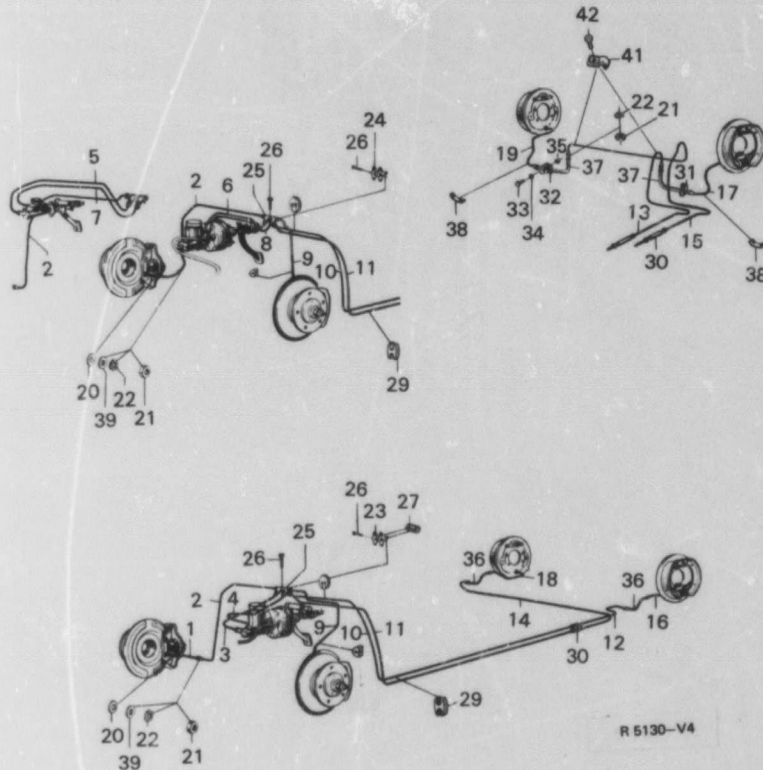


Fig. Pns.	Part No Art nr	Quantity/Antal		Description	Benämning	K/S S/R /L	Notes Anmärkning
		96	95				
0600				Footbrake system	Fotbromssystem		
				Brake lines, model 1968-	Bromsledningar, modell 1968-		
							Date Datum 1982-04
							Illustration Bild nr R5130
							Group Grupp 5
							Page Sida 21
0020	1	73 95 254	2	2	Brake hose	Bromssläng	4
0040	1	73 95 254	2	2	Brake hose	Bromssläng	4 25)
006C	2	73 37 579	1	1	Brake pipe	Bromsrör	5 6)
0100	2	73 36 520	1	1	Brake pipe	Bromsrör	6 7)
0120	3	73 37 495	1	1	Brake pipe	Bromsrör	6 8)
0140	3	73 52 018	1	1	Brake pipe	Bromsrör	6 19)
0180	3	73 71 505	1	1	Brake pipe	Bromsrör	6 20)
0180	4	73 37 462	1	1	Brake pipe	Bromsrör	6 6)
0200	4	73 52 040	1	1	Brake pipe	Bromsrör	6 18)
022C	4	73 71 594	1	1	Brake pipe	Bromsrör	6 28)
0280	5	73 52 263	1	1	Brake pipe RHD	Bromsrör RHD	17)
0280	6	73 56 520	1	1	Brake pipe RHD	Bromsrör RHD	8 18)
0300	6	73 72 501	1	1	Brake pipe RHD	Bromsrör RHD	8 21)
0340	7	73 52 297	1	1	Brake pipe RHD	Bromsrör RHD	
0380	8	73 71 519	1	1	Brake pipe RHD	Bromsrör RHD	0 21)
040C	9	73 37 548	1	1	Brake pipe	Bromsrör	5 0)
0440	9	73 95 312	1	1	Brake pipe	Bromsrör	6 7)
0480	10	73 52 164	1	1	Brake pipe	Bromsrör	6 8)
0500	11	73 37 803	1	1	Brake pipe	Bromsrör	6 9)
0520	11	73 52 131	1	1	Brake pipe	Bromsrör	5 7)
0540	12	73 37 845	1	1	Brake pipe	Bromsrör	6 22)
0580	13	72 56 829	1	1	Brake pipe	Bromsrör	6 23)
0580	13	72 80 233	1	1	Brake pipe	Bromsrör	3
0600	14	73 37 878	1	1	Brake pipe	Bromsrör	6 22)
0620	15	72 55 852	1	1	Brake pipe	Bromsrör	6 23)
0640	15	72 80 241	1	1	Brake pipe	Bromsrör	
0680	16	73 71 164	1	1	Brake pipe LH	Bromsrör V	3
0680	17	72 67 883	1	1	Brake pipe LH	Bromsrör V	3
0700	18	73 71 172	1	1	Brake pipe RH	Bromsrör H	3
0720	19	72 67 881	1	1	Brake pipe RH	Bromsrör H	5
0740	20	70 29 630	2	2	Gasket	Packning	5
0740	21	79 04 147	6	6	Nut	Mutter	5
0780	22	79 61 840	10	10	Washer	Bricka	5
0800	22	71 78 027	1	1	Three-way union	Trevägsförskruvning	5 6)
0820	24	71 78 027	1	1	Three-way union	Trevägsförskruvning	5 6)
0840	25	73 48 949	1	1	Six-way union	Sexvägsförskruvning	5 7)
0880	26	79 22 933	1	1	Screw	Skruv	5 7)
0900	27	73 95 171	1	1	Gasket	Packning	0 7) (7371107)
0940	28	89 08 102	7	8	Pipe retainer	Rörhållare	5
0980	30	72 34 149	2	2	Screw union	Förskruvning	5
0980	31	72 49 818	1	1	Bracket fender sheet LH	Fäste V	6
1000	32	72 49 826	1	1	Bracket fender sheet RH	Fäste H	6
1020	33	79 03 006	2	2	Screw	Skruv	5
1060	34	79 10 540	2	2	Washer	Bricka	5
1100	35	79 14 690	2	2	Nut	Mutter	5
1120	36	72 85 166	2	2	Brake hose	Bromssläng	4,30)
1140	36	72 85 166	2	2	Brake hose	Bromssläng	4 31)
1160	37	72 85 174	2	2	Brake hose	Bromssläng	4 28)

6. Ch. -507.018.96. -52.059.95.  
7. Ch. 96.520.001. - 96.086.001.-  
17. Ch. 96.520.001-552.858. 95.065.001-074.986.  
18. Ch. 96.590.001-96722017570. 95.080.001-95722006474.  
19. Ch. 96.520.001-592.844. -60601540.  
20. Ch. 96.030.001. - 61600001.  
21. Ch. 96722017571. - 95722008475.-  
22. Ch. -95753002046. -95753003018. -95756000281.  
23. Ch. 95753000001. -95783000001. -95786000001.-  
25. Ch. 96752080900. -96782000120. -95753061017. -95763000039.-  
28. Ch. -95753000271.  
30. Ch. -96762002872. -96763000491.  
31. Ch. 96762002873. -96763000492.-

0 General	1-A02
Complete	1-C02
1 Tools	1-F02
2 Engine	1-G02
3 Electrical System, Instruments	2-A02
4 Transmission	2-E02
5 Brakes	2-G02
6 Front assembly, Steering	2-I02
7 Suspension, Wheels	2-J02
8 Body	3-A02
9 Accessories	3-K02
10 Numerical Index	4-A02

5 GROUP INDEX

Front wheel brake	2-G06
Rear wheel brake	2-G08
Footbrake system	2-G10
Handbrake system	2-H06

0500

**Footbrake system**  
Brake lines,  
model 1968-

**Fotbromssystem**  
Bromsledningar,  
modell 1968-

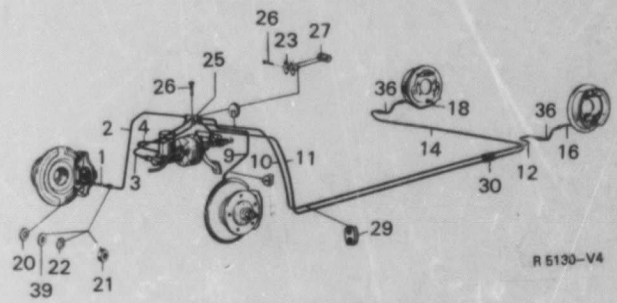
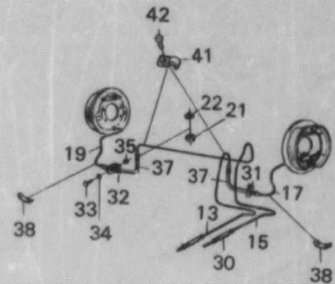
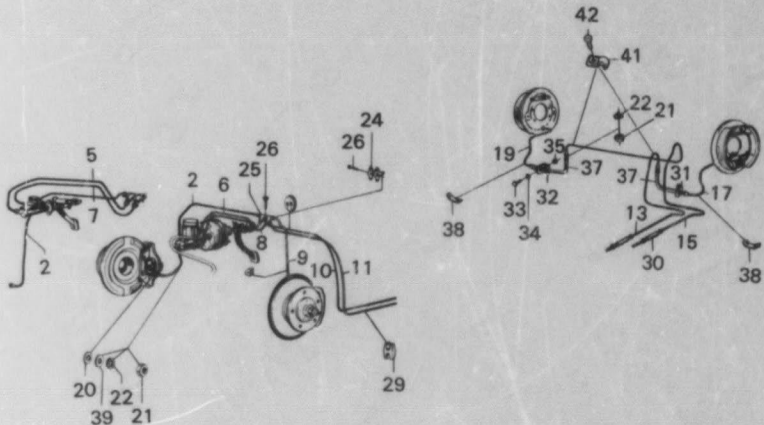
Date  
Datum  
1962-04

Illustration  
Bild nr  
R5130

Group  
Grupp  
5

Page  
Sida  
23

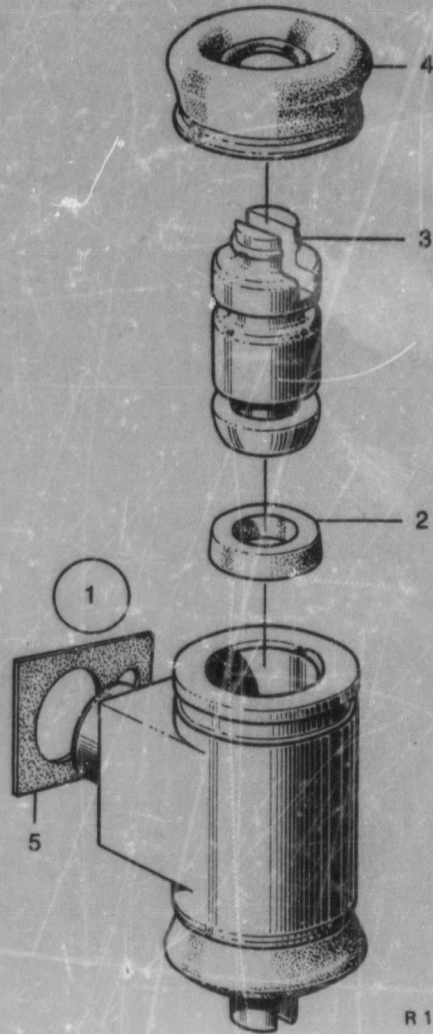
Fig. Pos.	Part No. Art nr	Quantity/Antal		Description	Benämning	K/S S/R /L	Notes Anmärkning
		96	95				
1180	37	72 05 174	2	Brake hose	Broms slang		4 28)
1200	38	70 93 503	2	Pipe retainer	Rörhållare		5
1220	39	80 29 983	2	Washer	Bricka		5
1260	41	88 07 986	2	Pipe retainer	Rörhållare		5 23)
1280	42	79 22 851	2	Screw	Skruv		5 23)



R 5130-V4

0 General	1-A02
Complete	1-C02
1 Tools	1-F02
2 Engine	1-G02
3 Electrical System, Instruments	2-A02
4 Transmission	2-E02
5 Brakes	2-G02
6 Front assembly, Steering	2-I02
7 Suspension, Wheels	2-J02
8 Body	3-A02
9 Accessories	3-K02
10 Numerical Index	4-A02
5 GROUP INDEX	
Front wheel brake	2-G06
Rear wheel brake	2-G08
Footbrake system	2-G10
Handbrake system	2-H06





0950 Footbrake system Wheel cylinders		Fotbromssystem Hjulcylindrar		Date Datum	Illustration Bild nr	Group Grupp	Page Sida
				1982-04	R1702	5	25
Fig. Pos.	Part No. Art nr	Quantity/Amount		Description	Benämning	Notes	
		96	96			K S	R L
0020	1 71 80 722	2		Brake cylinder assy, rear wheel	Hjulcylinder kpl bak	S	2 32)
0940	1 73 28 066	2	2	Brake cylinder assy, rear wheel	Hjulcylinder kpl bak		5 5)
0260	2 71 75 318	4	4	Gasket	Packning	S	5 32)
0100	2 73 95 376	4	4	Gasket	Packning	S	5 5)
0140	3 71 75 330	4	4	Piston	Kolv	S	5 32)
0150	3 73 28 121	4	4	Piston	Kolv	S	5 5)
0180	4 71 75 328	4	4	Sealing	Tätning	S	3 5)
0200	5 73 48 295	2	2	Gasket	Packning		5 5)
0240	78 38 487		X	Repair kit, rear wheel cylinder	Reparationsset hjulcylinder bak		2 48)
0250	78 38 487		X	Repair kit, rear wheel cylinder	Reparationsset hjulcylinder bak		2 48)
0260	78 49 805		X	Wheel cylinder	Cylinder bak		

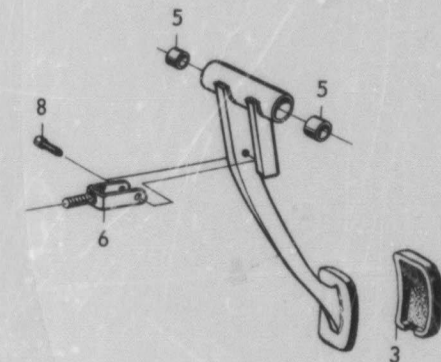
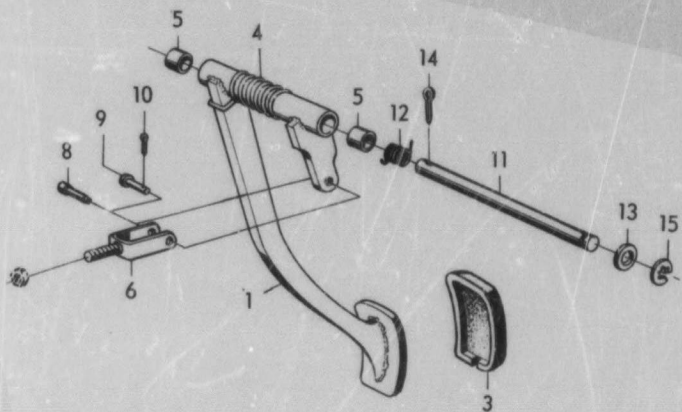
0 General	1-A02
Complete	1-C02
1 Tools	1-F02
2 Engine	1-G02
3 Electrical System, Instruments	2-A02
4 Transmission	2-E02
5 Brakes	2-G02
6 Front assembly, Steering	2-I02
7 Suspension, Wheels	2-J02
8 Body	3-A02
9 Accessories	3-K02
10 Numerical Index	4-A02

5 GROUP INDEX

Front wheel brake	2-G06
Rear wheel brake	2-G08
Footbrake system	2-G10
Handbrake system	2-H06

R 1702 - V4

5. Ch. 95.080.001-  
32. Ch. -95.074.986.  
48. Ch. -95.074.986.  
49. Ch. 96.420.001- 95.090.001- 50600001-



R 5131-V4

0000 Footbrake system Brake operation		Fotbromssystem Bromsmanövrering			Date Datum	Illustration Bild nr	Group Grupp	Page Sids
					1982-04	R5131	5	27
Fig. Pos.	Part No Art nr	Quantity/Antal			Description	Benämning	KS SR	Notes Anmärkning
		98	96					
0040	1 73 48 489	1	1		Brake pedal assy	Bromspedal kpl	6	7)
0140	3 71 39 181	1	1		.Pedal rubber	.Pedalgummi	6	PART OF 73 48 489
0160	4 73 48 526	1	1		.Spring	.Fjäder	4	
0187	5 73 01 104	2	2		.Bushing	.Bussning	6	
0250	6 71 93 113	1	1		.Fork	.Gaffel	6	
0220	6 71 93 113	1	1		.Fork RHD	.Gaffel RHD	17)	
0280	8 70 34 887	1	1		.Bolt	.Bult	5	51)
0300	8 73 37 526	1	1		.Bolt	.Bult	5	17)
0320	8 73 37 826	1	1		.Bolt RHD	.Bult RHD	5	7)
0340	9 79 09 983	1	1		Shaft bolt LHD	Axelbult LHD	5	8)
0360	9 79 09 983	1	1		Shaft bolt RHD	Axelbult RHD	3	
0400	10 79 04 394	1	1		Cotter pin	Saxpinne	6	
0420	11 73 01 112	1	1		Shaft	Axel	6	7)
0420	11 73 49 444	1	1		Shaft	Axel	6	7)
0540	12 73 56 389	1	1		Spring, brake pedal RHD	Fjäder, bromspedal RHD	5	
0580	13 85 21 916	1	1		Washer	Bricks	3	6)
0600	14 79 35 422	2	2		Cotter pin	Saxpinne	3	7)
0620	14 73 72 532	1	1		Lock pin	Lås-pinne	5	7)
0680	15 79 63 150	1	1		Lock washer	Spårnyttare	5	7)

MASTER INDEX

0 General	1-A02
Complete	1-C02
1 Tools	1-F02
2 Engine	1-G02
3 Electrical System, Instruments	2-A02
4 Transmission	2-E02
5 Brakes	2-G02
6 Front assembly, Steering	2-I02
7 Suspension, Wheels	2-J02
8 Body	3-A02
9 Accessories	3-K02
10 Numerical Index	4-A02

5 GROUP INDEX

Front wheel brake	2-G06
Rear wheel brake	2-G08
Footbrake system	2-G10
Handbrake system	2-H06

- 6. Ch. -507.018,96 -62.059,95.
- 7. Ch. 96.520.001- 95.065.001-.
- 8. Ch. 96.560.001- 95.060.001-.
- 17. Ch. 96.520.001-652.959, 95.065.001-074.986.
- 33. Ch. -459.529,96 -50.197,95.
- 51. Ch. 470.001-507.018,96 52.001-62.059,95.

0050

Handbrakesystem

Handbromssystem

Date  
Datum  
1982-04

Illustration  
Bild nr  
R1704

Group  
Grupp  
5

Page  
Sida  
29

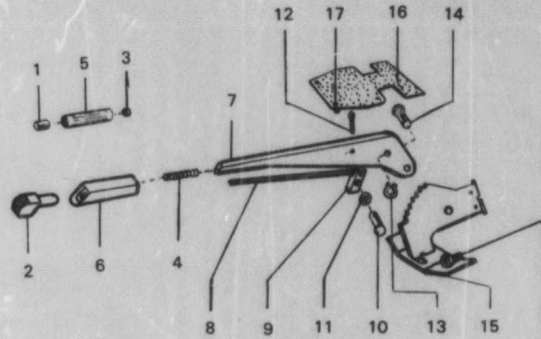
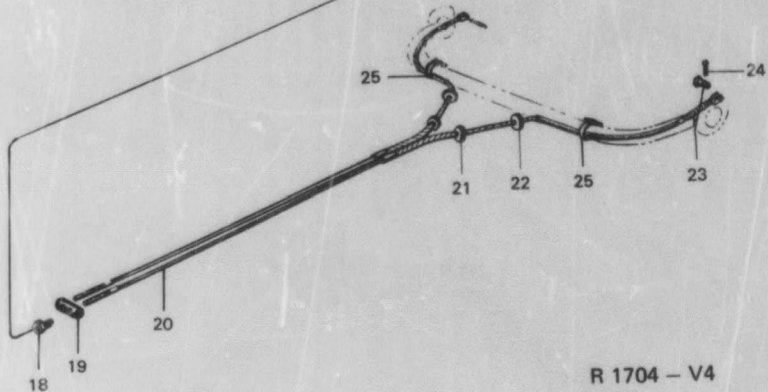


Fig. Pos.	Part No Art nr	Quantity/Anat		Description	Benämning	KS S R L	Notes Anmärkning
		96	95				
0020	1	70 29 465	1	1	Push button	Tryckknapp	5 34
0040	2	89 17 809	1	1	Push button	Tryckknapp	5 35
0080	3	79 10 474	1	1	Nut	Mutter	S 5 34
0080	4	71 80 807	1	1	Spring	Fjäder	5
0100	5	73 41 366	1	1	Handle	Handtag	5 34
0120	6	89 17 791	1	1	Handle	Handtag	5 35
0140	7	71 93 569	1	1	Handbrake lever	Spåk	34) SUPERSEDED BY 7171545 8917791, 7193220, 9917809
0160	7	73 71 545	1	1	Handbrake lever	Spåk	5 35
0200	8	71 93 220	1	1	Pawl rod	Spärrstång	6
0220	9	71 20 018	1	1	Pawl	Spärr	5
0240	10	79 10 185	1	1	Pivot pin	Axelbult	5
0280	11	71 20 991	1	1	Washer	Bricka	5
0280	12	79 26 918	1	1	Cotter pin	Saxpinne	3
0300	13	79 15 093	1	1	Lock ring	Låsring	5
0320	14	71 20 942	1	1	Pivot pin	Axelbult	5
0340	15	71 53 303	1	1	Ratchet sector	Konsol	5
0380	16	71 20 967	1	1	Protective rubber black	Gummi skydd, svart	4
0380	17	71 21 007	1	1	Button	Knapp	5
0440	18	70 29 440	2	2	Adjusting nut	Justernutt	3
0480	19	71 20 959	1	1	Shaft	Axel	6
0500	20	71 99 227	2	2	Handbrake cable	Handbromskabel	2
0520	21	79 61 345	2	2	Grommet	Genomföring	5
0540	22	70 71 574	2	2	Grommet	Genomföring	5
0560	23	79 09 933	2	2	Pivot pin	Axelbult	S 5
0580	24	79 04 394	2	2	Cotter pin	Saxpinne	S 3
0600	25	73 37 082	2	2	Clamp	Klämma	5



R 1704 - V4

MASTER INDEX

0 General	1-A02
Complete	1-C02
1 Tools	1-F02
2 Engine	1-G02
3 Electrical System, Instruments	2-A02
4 Transmission	2-E02
5 Brakes	2-G02
6 Front assembly, Steering	2-I02
7 Suspension, Wheels	2-J02
8 Body	3-A02
9 Accessories	3-K02
10 Numerical Index	4-A02
5 GROUP INDEX	
Front wheel brake	2-G06
Rear wheel brake	2-G08
Footbrake system	2-G10
Handbrake system	2-H06

34. Ch. -96.592.844. -80901540. -95.068.371. -50600838.  
35. Ch. 96.800.001-. 61600001-. 95.095.001-. 51600001-.

	Date Datum:	Group Grupp	Page Sida
0000 FRONT WHEEL SUSPENSION/FRAMVÄGN, STEERING DEVICE STYRINRÄTTNING	1982-04	6	1
<b>TABLE OF CONTENTS</b>			
0020 Front wheel suspension .....		6:3	2-104
0040 Steering gear shift bar etc		6:7	2-108
0060 Steering wheel, steering column stand and steering column support .....		6:9	2-110
0080 Steering wheel shaft, gear shift lever lock .....		6:13	2-114
0100 Gear shift rod, counter shaft .....		6:15	2-116
0120 Gear shift lever, gear lever housing .....		6:17	2-118
0140 Steering gear .....			
<b>INNEHÅLLSFÖRTECKNING</b>			
0160 Framvägn .....		6:3	2-104
0180 Styrring, växelföring		6:7	2-108
0200 Ratt, rattlagring och rattstöd .....		6:9	2-110
0220 Rattstång, växelspal-sås .....		6:13	2-114
0240 Växlestång, mellåxel .....		6:15	2-116
0260 Växelspek, växelspekshus .....		6:17	2-118
0280 Styrväxel .....			
<b>INHALTVERZEICHNIS</b>			
0300 Vordergestell .....		6:3	2-104
0320 Lenkung, Schaltführung		6:7	2-108
0340 Lenkrad, Lenkradlagerung, Lenkradstütze .....		6:9	2-110
0360 Lenksäule, schaltstangenschloß .....		6:13	2-114
0380 Schaltstange, schaltstangenglenk .....		6:15	2-116
0400 Schalthebel, schalthebelgehäuse .....		6:17	2-118
0420 Lenktriebe .....			
<b>TABLE DES MATIERES</b>			
0440 Train avant .....		6:3	2-104
0460 Boîtier de direction, changement de vitesses		6:7	2-108
0480 Volant, logement et support de volant .....		6:9	2-110
0500 Colonne de direction, arbre intermédiaire .....		6:13	2-114
0520 Colonne de direction, eje intermedio .....		6:15	2-116
0540 Levier de changement de vitesses, Carter de levier .....		6:17	2-118
0560 Engrenages de direction .....			
<b>SUMARIO</b>			
0580 Tren de lanterno .....		6:3	2-104
0600 Caja de dirección, cambio de marchas		6:7	2-108
0620 Volante, alojamiento y soporte de volante .....		6:9	2-110
0640 Columna de dirección, árbol intermedio .....		6:13	2-114
0660 Columna de dirección, eje intermedio .....		6:15	2-116
0680 Palanca de cambios, Carter de palanca .....		6:17	2-118
0700 Engranajes de dirección .....			

MASTER INDEX

0 General	1-A02
Complete	1-C02
1 Tools	1-F02
2 Engine	1-G02
3 Electrical System, Instruments	2-A02
4 Transmission	2-E02
5 Brakes	2-G02
6 Front assembly, Steering	2-I02
7 Suspension, Wheels	2-J02
8 Body	3-A02
9 Accessories	3-K02
10 Numerical index	4-A02

6 GROUP INDEX

Front wheel suspension	2-104
Steering, gear shift bar etc	2-108

MASTER INDEX

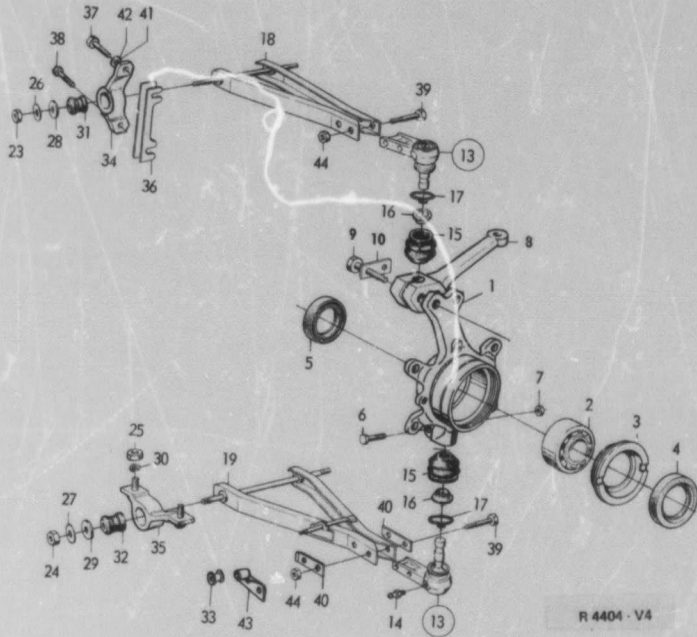
0 General	1-A02
Complete	1-C02
1 Tools	1-F02
2 Engine	1-G02
3 Electrical System, Instruments	2-A02
4 Transmission	2-E02
5 Brakes	2-G02
6 Front assembly, Steering	2-102
7 Suspension, Wheels	2-J02
8 Body	3-A02
9 Accessories	3-K02
10 Numerical Index	4-A02

6 GROUP INDEX

Front wheel suspension	2-104
Steering, gear shift bar etc	2-108

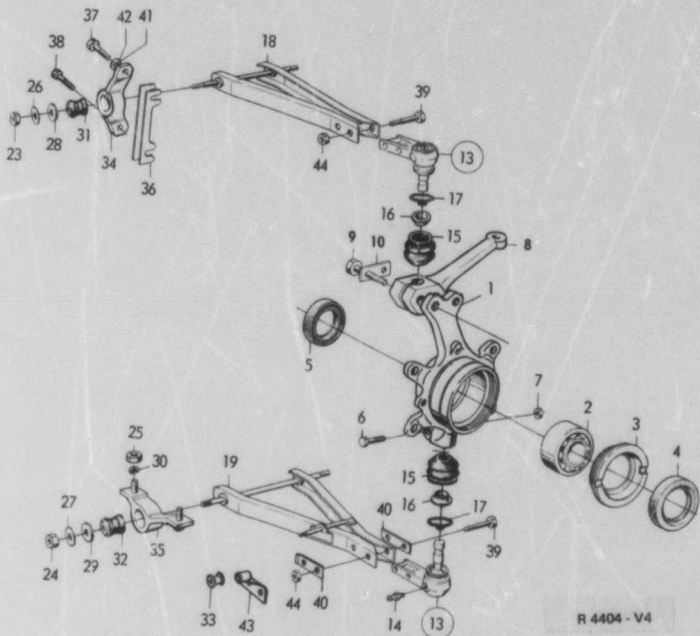
0100	Front wheel suspension	Framvagn	Date Datum	Illustration Bild nr	Group Grupp	Page Sida
			1982-04	R4404	6	3

Fig. Pos.	Part No Art nr	Quantity/Antal		Description	Benämning	K/S	Notes Anmärkning
		96	95				
0600	1	73 27 745	2	2	Steering knuckle housing	Styrspindelhus	5
0640	2	70 79 262	2	2	Angular contact bearing	Vinkelkontaktlager	S 2
0900	3	70 93 869	2	2	Nut	Mutter	5
0120	4	70 93 974	2	2	Shaft seal	Åxeltätning	S 2
0140	5	73 12 754	2	2	Shaft seal	Åxeltätning	5
0180	8	73 27 927	2	2	Screw	Skruv	5
0200	7	79 40 465	2	2	Nut	Mutter	3
0220	8	70 99 972	1	1	Steering arm L.H.	Styrrarm V	5
0240	8	70 99 960	1	1	Steering arm R.H.	Styrrarm H	5
0280	9	79 07 673	4	4	Screw	Skruv	5
0290	10	70 89 782	2	2	Washer	Bricka	5
0300	13	73 72 170	4	4	End piece esay.	Ändstycke kpl.	5 (1)
0320	14	79 50 090	4	4	Grease nipple	Smörjnippel	S 4 (1)
0340	15	71 99 804	4	4	Seal belows	Tätningståg	S 6 (1)
0380	16	71 16 619	4	4	Ring	Ring	S 5 (1)
0400	17	70 99 153	4	4	Clamp	Klamra	0
0420	17	89 05 440	4	4	Lock ring	Låsring	4
0440	18	71 68 123	2	2	Swinging arm, upper	Svängarm, övre	4
0480	19	71 68 032	1	1	Swinging arm, lower L.H.	Svängarm, nedre V	4
0490	19	71 68 040	1	1	Swinging arm, lower R.H.	Svängarm, nedre H	4
0520	23	79 04 097	4	4	Nut	Mutter	5
0560	24	79 04 113	4	4	Nut	Mutter	5
0580	25	79 14 724	8	8	Nut	Mutter	5
0600	26	70 70 626	4	4	Washer	Bricka	5
0620	27	70 71 939	4	4	Washer	Bricka	5
0640	28	70 70 987	4	4	Washer	Bricka	5
0660	29	70 70 842	4	4	Washer	Bricka	5
0680	30	79 10 573	2	2	Washer	Bricka	5
0700	31	71 63 803	4	4	Bushing	Bussning	2
0720	32	71 84 443	4	4	Bushing	Bussning	0 (1)
0740	33	70 78 326	2	2	Bushing	Bussning	5 (3)
0760	34	73 37 348	1	1	Bearing, front L.H.	Lager, främre V	5 (3)
0780	34	73 37 330	1	1	Bearing, rear L.H.	Lager, bakre V	5 (4)
0800	34	71 75 441	1	1	Bearing, front L.H.	Lager, främre V	5 (4)
0820	34	71 75 433	1	1	Bearing, rear L.H.	Lager, bakre V	5 (4)
0840	34	73 37 330	1	1	Bearing, front R.H.	Lager, främre H	5 (3)
0860	34	73 37 348	1	1	Bearing, rear R.H.	Lager, bakre H	5 (3)
0880	34	71 75 433	1	1	Bearing, front R.H.	Lager, främre H	5 (4)
0900	34	71 75 441	1	1	Bearing, rear R.H.	Lager, bakre H	5 (4)
0920	35	70 99 237	4	4	Bearing lower with bolt	Lager, nedre med bult	5
0940					Spacer 0,5 mm	Mellanlägg, 0,5 mm	5
0960	36	70 71 061	X	X	Spacer 1,0 mm	Mellanlägg, 1,0 mm	5
0980	36	70 71 079	X	X	Spacer 2,0 mm	Mellanlägg, 2,0 mm	5
1000	36	70 71 087	X	X	Screw	Skruv	5 (3)
1020	37	79 03 347	8	8	Screw R.H.D.	Skruv R.H.D	5 (3)
1040	37	78 03 347	7	7	Screw R.H.D.	Skruv R.H.D	5 (3)
1060	38	79 03 354	1	1	Screw	Skruv	5 (1)
1080	38	73 38 385	8	8	Washer	Bricka	5 (2)
1100	40	70 71 947	4	4	Washer	Bricka	5
1120	40	70 71 947	4	4	Washer	Bricka	5
1140	41	80 29 993	8	8	Washer	Bricka	5
1160	42	79 10 565	8	8	Washer	Bricka	5 (1)
1180	43	70 79 395	1	1	Bracket with sleeve	Fästplåt med hylsa	5
1200					L.H.		



1. Ch. -96722013535 - 95722004645.  
 2. Ch. 96722013536 - 95722004646.  
 3. Ch. -96742017275 - 95748006905 - 95742006620 - 95746000165.  
 4. Ch. 96752000001 - 96756000001 - 95752000001 - 95756000001 -  
 36. Ch. 96548359 - 95073408 -

0100		Front wheel suspension			Framvagn		Date Datum	Illustration Bild nr	Group Grupp	Page Side
							1982-04	R4404	6	5
Fig. Pos.	Part No Art nr	Quantity/Antal		Description	Benämning	K/S S/R /L	Notes Anmärkning			
		90	95							
1220	43	70 79 403	1	1	Bracket with sleeve R.H	Fästplåt med hylsa H	5 1)			
1240	44	79 18 717	8	8	Nut	Mutter	3			
1280		88 15 128	X	X	Kit, bearing front wheel	Sata, framhjulslager	4			

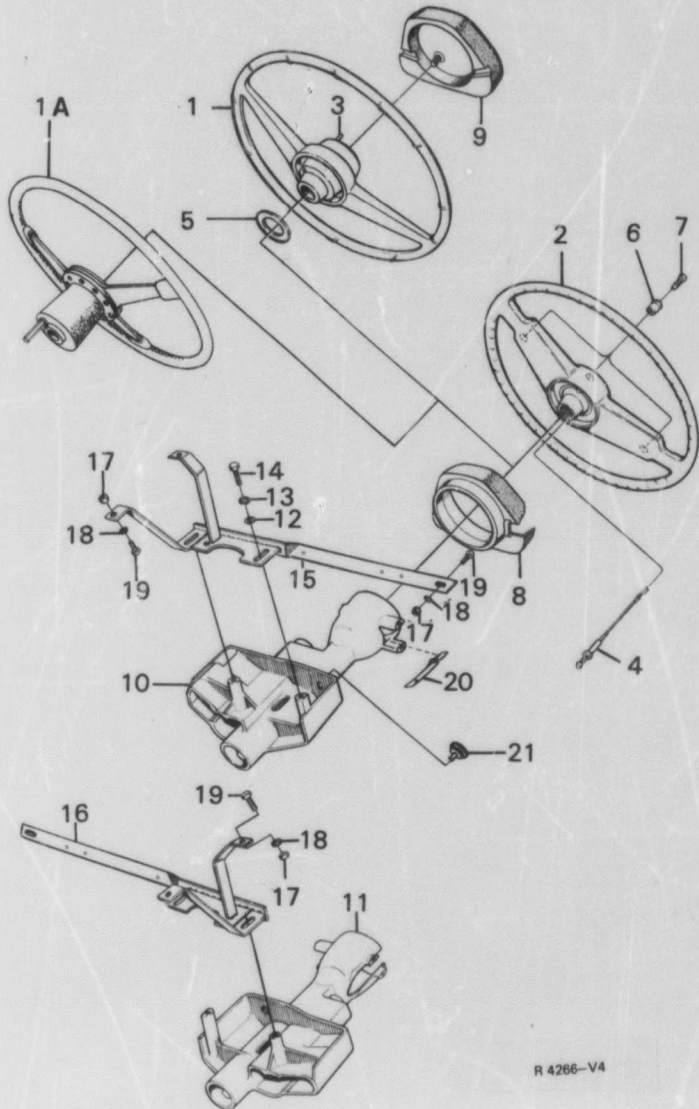


MASTER INDEX

0 General	1-A02
Complete	1-C02
1 Tools	1-F02
2 Engine	1-G02
3 Electrical System, Instruments	2-A02
4 Transmission	2-E02
5 Brakes	2-G02
6 Front assembly, Steering	2-I02
7 Suspension, Wheels	2-J02
8 Body	3-A02
9 Accessories	3-K02
10 Numerical Index	4-A02

6 GROUP INDEX

Front wheel suspension	2-I04
Steering, gear shift bar etc	2-I08



0150

Steering gear shift bar  
Steering wheel, steering  
column stand, etc.

Styrning, växelföring  
Ratt  
rattlagring, etc

Date  
Datum  
1982-04

Illustration  
Bild nr  
R4266

Group  
Grupp  
6

Page  
Sida  
7

Fig. Pos.	Part No Art nr	Quantity/Antal		Description	Benämning	K/S SR / L	Notes Anmärkning
		96	95				
0020	1 71 75 946	1	1	Steering wheel	Ratt	5 37)	
0040	1 73 41 068	1	1	Steering wheel	Ratt	5 51)	
0060	1A	1	1	Steering wheel, leather-lined assy and horn control	Ratt, läderklädd kpl med signhorn	43,44)	(18)12401 DT
0062	1 73 56 043	1	1	Steering wheel assy.	Ratt kpl.	5 8,11)	
0060	2 73 72 931	1	1	Steering wheel assy.	Ratt kpl.	5 12)	
0100	3 73 71 131	1	1	Contact finger	Kontaktfinger	2 8,11)	
0120	4 68 54 853	1	1	Contact finger	Kontaktfinger	2 12)	
0140	5 73 71 149	1	1	Sliding ring	Släpning	5 8,11)	
0190	6 73 95 098	3	3	Clip	Släp	3 12)	
0180	7 73 95 106	3	3	Screw	Skruv	5 12)	
0200	8 73 41 191	1	1	Cover	Kåpa	6 5)	
0220	9 73 37 888	1	1	Pad, steering wheel	Stötskydd, ratt	5 5)	
0240	10 73 18 413	1	1	Steering column stand	Rattlagring	6 8,11)	
0200	10 73 56 918	1	1	Steering column stand	Rattlagring	6 7,12,15)	
0220	10 73 95 163	1	1	Steering column stand	Rattlagring	6 10)	
0240	10 73 95 437	1	1	Steering column stand	Rattlagring	6 10)	
0480	11 73 95 171	1	1	Steering column stand	Rattlagring R.H.D	6 10)	
0600				R.H.D		5 6)	
0520	12 80 29 585	2	2	Washer	Bricka	5 30)	
0540	12 79 16 487	2	2	Washer	Bricka	5 40)	
0560	13 79 10 557	2	2	Washer	Bricka	5 40)	
0620	14 73 41 514	2	2	Screw	Skruv	5 36)	ALL MARKETS.
0620	14 73 41 514	2	2	Screw	Skruv	5 36)	
0640	15 73 47 214	1	1	Steering wheel support	Rattstöd	6 9)	
0660	15 73 90 851	1	1	Steering wheel support	Rattstöd	6 13)	
0700				Steering wheel support		6 14)	
0720	15 76 00 067	1	1	Steering wheel support	Rattstöd	6 14)	
0740	16 71 82 634	1	1	Steering wheel support R.H.D	Rattstöd R.H.D	18)	
0780				Steering wheel support R.H.D		6 10)	
0800	16 73 57 999	1	1	Steering wheel support R.H.D	Rattstöd R.H.D	6 10)	
0820	16 76 00 471	1	1	Steering wheel support R.H.D	Rattstöd RHD	6 10)	
0840	16 76 00 471	1	1	Steering wheel support R.H.D	Rattstöd RHD	6 10)	
0860				Nut	Mutter	5 5)	
0880	17 79 14 890	3	3	Washer	Bricka	5 5)	
0900	18 79 10 540	3	3	Washer	Bricka	5 5)	
0920	19 79 35 869	3	3	Screw	Skruv	5 5)	
0940	20 73 56 934	1	1	Grounding plate	Jordbleck	6 8,11)	
0960	21 85 00 878	1	1	Rubber plug	Gummiplugg	5 17)	

- 5. Ch. 470.001-88-96 532 858 52.001-95- 95.074.986
- 6. Ch. -507.018.99- 62.059.95
- 7. Ch. 96.520.001-652.958 95.065.001-074.986
- 8. Ch. 96.580.001- 80.9000001- 95.000.011- 50.900001-
- 9. Ch. 96.580.001-96732012149, 96.600001-9673600302, 95.080.001-95732003689, 50600001-95736000074,
- 10. Ch. 96732012150- 96736003903- 95732003700- 95736000075-
- 11. Ch. -96752015185- 96756007418- 96752002048- 95753003018- 95756000281,
- 12. Ch. 96752060001- 96763000001- 96766000001- 95753060001- 95763000001- 95766000001-
- 13. Ch. -96752063498- 96762000989- 96763000913- 96753061805-
- 14. Ch. 96752063500- 96762000989- 96763000913- 96753061806-
- 15. Ch. -96773000990- 96776000409- 96773000541-
- 16. Ch. 96773000991- 96776000410- 96773000542-
- 17. Ch. 96773008001- 96776008001- 96773002001-
- 18. Ch. -96.552.859- 95.074.986
- 37. Ch. -458.526.96- 50.187.95
- 39. Ch. 96.520.001- 55.065.001-
- 40. Ch. -507.018.96- 62.059.95. US
- 43. Accessories part No only
- 44. Ch. -95763001200- 96752010005

R 4266-V4

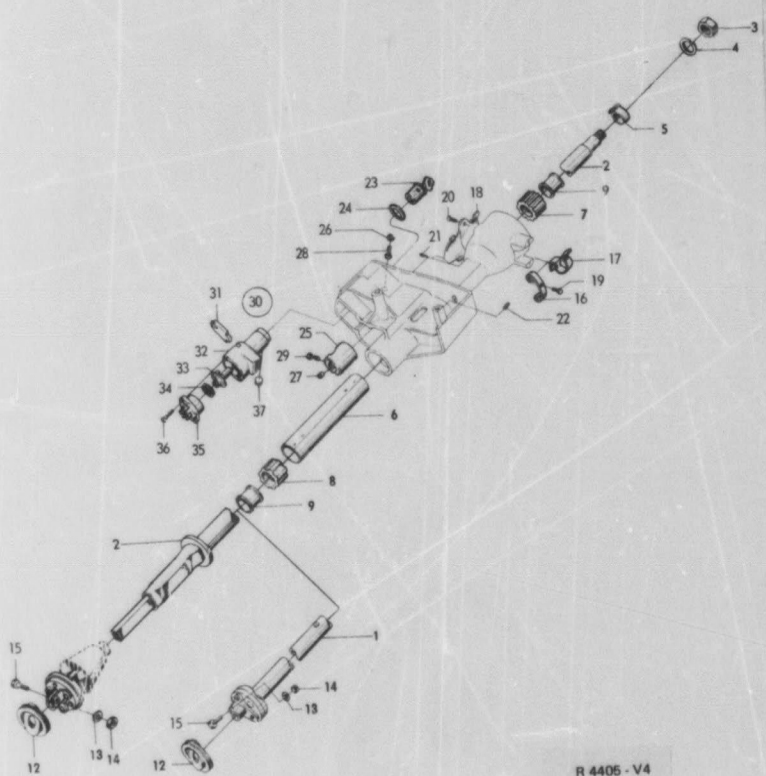
MASTER INDEX

- 0 General 1-A02
- Complete 1-C02
- 1 Tools 1-F02
- 2 Engine 1-G02
- 3 Electrical System, Instruments 2-A02
- 4 Transmission 2-E02
- 5 Brakes 2-G02
- 6 Front assembly, Steering 2-I02
- 7 Suspension, Wheels 2-J02
- 8 Body 3-A02
- 9 Accessories 3-K02
- 10 Numerical Index 4-A02

6 GROUP INDEX

- Front wheel suspension 2-I04
- Steering, gear shift bar etc 2-I08

Fig. Pos.	Part No Art nr	Quantity/Antal		Description	Benämning	KS SR L	Notes Anmärkning
		96	95				
0200				Steering, gear shift bar	Styrning, växelföring	Date Datum	Illustration Bild nr
				Steering wheel shaft	Rattstång	1992-04	R4405
				gear shift lever lock	växelspåkylås	Group Grupp	Page Sida
						6	9
0200	1	73 52 966	1	Steering wheel shaft with joint	Rattstång med knut	6	6) IS DELETED
0040				Steering wheel shaft with joint	Rattstång med knut	6	40)
0090	2	73 41 464	1	Steering wheel shaft with joint	Rattstång med knut	6	38) ALL MARKETS
0100				Steering wheel shaft with joint	Rattstång med knut	6	38)
0120	2	73 52 602	1	Steering wheel shaft with joint RHD	Rattstång med knut RHD	5	
0190				Nut	Mutter	5	
0180	3	89 40 581	1	Washer	Bricks	3	
0200	4	79 33 880	1	Actuator	Medbringare	6	
0220	5	71 78 142	1	Card board sleeve	Skaevlydd	3	
0240	6	70 86 358	1	Bushing	Bussning	3	
0260	7	71 92 651	1	Bushing	Bussning	3	
0280	8	71 92 659	1	Bushing	Bussning	3	
0300	9	71 82 118	2	Rubber collar	Gummitätning	3	
0360	12	73 14 040	1	Washer	Bricks	5	
0400	13	73 15 572	1	Nut	Mutter	5	
0420	14	79 04 083	1	Screw	Skruv	5	
0430	15	79 00 186	1	Cable clip	Kabelklämma	5	
0440	16	71 58 961	1	Cable clip	Kabelklämma	5	
0460	17	71 75 706	2	Cover	Lock	5	37)
0480	18	71 96 611	1	Screw	Skruv	5	37)
0520	19	79 22 206	1	Screw	Skruv	5	
0540	19	79 22 584	1	Screw	Skruv	5	37)
0560	20	79 34 168	2	Screw	Skruv	5	
0580	21	71 79 407	1	Screw	Skruv	5	
0600	22	79 18 246	2	Tension pin	Spännstift	5	
0620	23	71 93 600	1	Lock cylinder with key	Låscylinder med nyckel	2	18)
0640				Lock cylinder with key	Låscylinder med nyckel	3	19)
0680	23	73 59 193	1	Lock cylinder with key	Låscylinder med nyckel	3	20,25)
0700	23	73 72 329	1	Lock cylinder with 2 keys	Låscylinder med 2 nycklar	3	26)
0720	23	86 16 886	1	Decor plate	Skyttbricka	5	25)
0740				Decor plate	Skyttbricka	5	26)
0780	24	71 93 592	1	Turn stopper	Vridstopp	0	23)
0800	24	73 95 400	1	Turn stopper	Vridstopp	8	24)
0820	25	73 41 431	1	Turn stopper RHD	Vridstopp RHD	6	
0840	25	73 95 221	1	Washer	Bricks	5	
0880	25	73 95 221	1	Stop screw	Stoppekruv	5	
0900	26	79 51 759	1	Screw	Skruv	5	
0920	27	79 80 206	1	Screw	Skruv	5	
0940	28	79 34 607	1	Screw	Skruv	5	
0960	29	79 60 354	2	Gear shift lever lock assy	Växlestångslås kpl	4	18)
0980	30	73 17 761	1	Gear shift lever lock assy	Växlestångslås kpl	4	8, 25)
1000				Gear shift lever lock assy	Växlestångslås kpl	4	28)
1020	30	73 56 942	1				
1040							
1080	30	72 85 935	1				



R 4405 - V4

- 6. Ch.-507.018,96 -82.058,95.
- 8. Ch. 96.500.001 - 60690001 - 95.080.001 - 50800001 -
- 18. Ch.-96.552.869 -96.074.986.
- 19. Ch. 96.590.001-627.413 -51602630, 95.080.001-102.108 -51801165.
- 20. Ch. 96722000001 - 96728000001 - 96722000001 - 95728000001 -
- 23. Ch.-9672002974 -96762000482 -96753060401. 96766002154 -95753061774 -95796000046.
- 24. Ch. 96762062975 -96762000403 -96753080402 -96766002156 -95753061775 -95796000046.
- 25. Ch -96773000930 -96776000408 -96773000541.LHD.
- 26. Ch 96773000961 -96776000410 -95773000542 -LHD.
- 37. Ch.-458.526,96 -50.197,95.
- 38. Ch. 96.520.001 - 95.065.001 -
- 40. Ch -507.018,96 -82.058,95. US.

MASTER INDEX

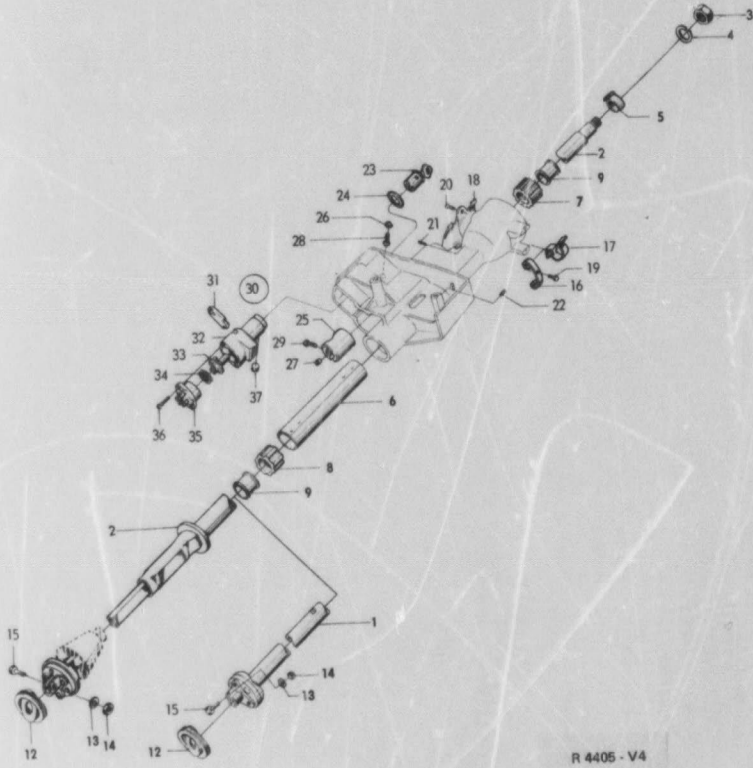
0 General	1-A02
Complete	1-C02
1 Tools	1-F02
2 Engine	1-G02
3 Electrical System, Instruments	2-A02
4 Transmission	2-E02
5 Brakes	2-G02
6 Front assembly, Steering	2-I02
7 Suspension, Wheels	2-J02
8 Body	3-A02
9 Accessories	3-K02
10 Numerical Index	4-A02

6 GROUP INDEX

Front wheel suspension	2-I04
Steering, gear shift bar etc	2-I08



Fig. Pos.	Part No Art nr	Quantity/Åntal		Description	Benämning	K/S S/R /L	Notes Anmärkning
		96	95				
<b>0200 Steering gear shift bar Styrring, växelföring</b> <b>Steering wheel shaft Rattstång</b> <b>gear shift lever lock växelspåkåls</b>							
1100	30 73 23 041	1	1	Gear shift lever lock assy RHD	Växelspåkåls kpl RHD		18) IS DELETED
1120	30 73 56 975	1	1	Gear shift lever lock assy RHD	Växelspåkåls kpl RHD	4 8)	
1180	30 73 56 991	1	1	Gear shift lever lock assy RHD	Växelspåkåls kpl RHD	4 8) SW	
1200	30 73 56 971	1	1	Gear shift lever lock assy RHD	Växelspåkåls kpl RHD	4 27) GB	
1220	31 71 93 543	1	1	Locking bar	Låskohv	6 ONLY LHD	
1280	31 71 93 543	1	1	Locking bar	Låskohv	6 8) GB, SW	
1300	32 71 93 253	1	1	Lock housing	Låshus	6 8, 15)	
1320	32 73 56 958	1	1	Lock housing	Låshus	6 18)	
1340	32 73 56 429	1	1	Lock housing RHD	Låshus RHD	6	
1380	33 71 93 535	1	1	Actuator	Medbringare	6 15)	
1400	33 73 95 411	1	1	Actuator	Medbringare	6 16)	
1420	33 71 98 696	1	1	Actuator RHD	Medbringare RHD		
1460	34 71 93 527	1	1	Spring	Fjäder	5	
1480	35 72 85 794	1	1	Ignition and starter switch	Tänd- och startkontakt	4	
1500	36 71 93 576	2	2	Screw	Skruv	5	
1520	37 71 93 584	1	1	Lock plug	Låsplugg	5 18)	
1560	37 73 56 967	1	1	Lock plug	Låsplugg	3 8, 15)	
1580	37 73 95 445	1	1	Lock plug	Låsplugg	5 18)	



R 4405 - V4

**MASTER INDEX**

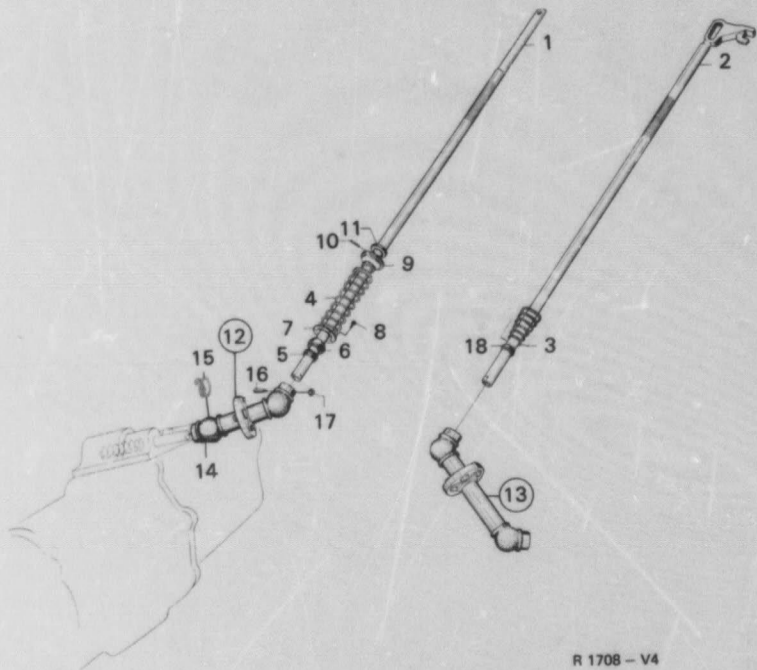
<b>0 General Complete</b>	1-A02 1-C02
<b>1 Tools</b>	1-F02
<b>2 Engine</b>	1-G02
<b>3 Electrical System, Instruments</b>	2-A02
<b>4 Transmission</b>	2-E02
<b>5 Brakes</b>	2-G02
<b>6 Front assembly, Steering</b>	2-I02
<b>7 Suspension, Wheels</b>	2-J02
<b>8 Body</b>	3-A02
<b>9 Accessories</b>	3-K02
<b>10 Numerical Index</b>	4-A02

**6 GROUP INDEX**

<b>Front wheel suspension</b>	2-I04
<b>Steering, gear shift bar etc</b>	2-I08

8. Ch. 96.560.001- 60800001- 95.080.001- 50800001-  
 15. Ch.-96773000960- 96778000409- 96773000541.  
 16. Ch. 96773000961- 96778000410- 96773000542-  
 18. Ch.-96.552.858- 96.074.986.  
 27. Ch. 96722004427- 96722001232-

0250 Steering gear shift bar		Styrning, växelföring			Date	Illustration	Group	Page
Gear shift rod, counter shaft		Växlestång mellanaxel			Datum	Bild nr	Grupp	Sida
					1982-04	R1708	6	13
Fig. Pos.	Part No Art nr	Quantity/Antal		Description	Benämning	K/S	Notes	Anmärkning
		96	95					
0020	1	71 96 237	1	1	Gear shift rod	Växlestång		0
0040	1	73 41 423	1	1	Gear shift rod RHD	Växlestång RHD		0
0060	3	73 27 737	1	1	Return spring RHD	Återföringsfjäder RHD		0
0061					Return spring	Återföringsfjäder		0
0080	4	71 84 682	1	1	Bushing	Bussning		3
0100	5	70 89 568	1	1	Bushing	Bussning		3
0120	6	70 76 904	1	1	Bracket	Hållare		0
0140	7	70 76 870	1	1	Screw	Skruv		5
0180	8	79 22 636	4	4	Spring retainer	Fjäderhållare		0
0180	9	71 84 674	1	1	Tension pin	Spänstift		5
0220	10	73 41 597	1	1	Washer	Bricka		5
0240	11	73 41 522	1	1	Intermediate shaft	Mellanaxel kpl		0
0280	12	71 76 191	1	1	assy			0
0280	13	71 63 901	1	1	Intermediate shaft	Mellanaxel kpl		0
0300					assy RHD	RHD		0
0320					.Rubber protective	.Gummi skydd		3
0340	14	70 83 413	2	2	.Spring	Fjäder		3
0380	15	71 62 886	2	2	Nut	Konisk pinne		S5
0380	16	73 17 233	2	2	Tapered pin	Mutter		S5
0400	17	83 35 002	2	2	Washer	Bricka		S5
0420	18	73 27 109	1	1				5



R 1708 - V4

MASTER INDEX

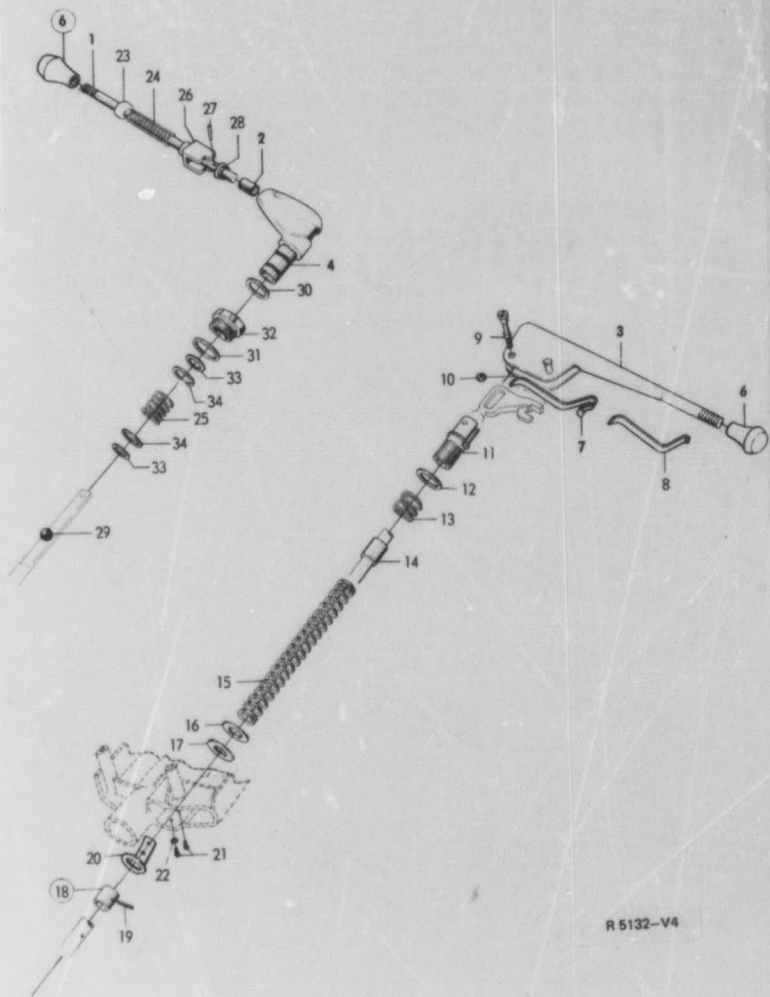
0 General	1-A02
Complete	1-C02
1 Tools	1-F02
2 Engine	1-G02
3 Electrical System, Instruments	2-A02
4 Transmission	2-E02
5 Brakes	2-G02
6 Front assembly, Steering	2-I02
7 Suspension, Wheels	2-J02
8 Body	3-A02
9 Accessories	3-K02
10 Numerical Index	4-A02

6 GROUP INDEX

Front wheel suspension	2-I04
Steering, gear shift bar etc	2-I08

0300	Steering, gear shift bar Gear shift lever, gear shift housing	Styrning, växelföring Växelspak, växelspakshus	Date Datum	Illustration Bild nr	Group Grupp	Page Sida
			1982-04	R5132	6	15

Fig. Pos.	Part No Art nr	Quantity/Antal		Description	Benämning	KS SR	Notes Anmärkning
		96	95				
0020	1 73 41 233	1	1	Gear shift lever assy	Växelspak kpl.	5	
0040	2 71 82 271	1	1	Bushing	Bussning	3	
0080	3 71 88 750	1	1	Gear shift lever R.H.D	Växelspak R.H.D	5	
0080	4 76 03 483	1	1	Lever housing	Växelspakshus	5	
0100	6 73 37 454	1	1	Handle	Handtag	5	
0100	7 71 99 623	1	1	Spring R.H.D	Fjäder R.H.D	5	
0100	8 71 99 631	1	1	Spring R.H.D	Fjäder R.H.D	5	
0200	9 71 76 274	1	1	Screw R.H.D	Skruv R.H.D	4	
0220	10 79 05 734	1	1	Nut rhd	Mutter RHD	3	
0240	11 70 62 102	1	1	Fork R.H.D	Gaffel R.H.D	0	
0280	12 70 39 142	1	1	Washer R.H.D	Bricka R.H.D	5	
0280	13 70 39 134	1	1	Spring R.H.D	Fjäder R.H.D	5	
0300	14 70 39 076	1	1	Felt ring R.H.D	Filtering R.H.D	4	
0320	15 71 76 308	1	1	Retaining spring R.H.D	Spärrfjäder R.H.D	5	
0340	16 71 76 316	1	1	Bushing R.H.D	Bussning	5	
0380	17 71 76 324	1	1	Washer R.H.D	Bricka R.H.D	5	
0400	18 71 76 340	1	1	Carrier sleeve assy. R.H.D	Medbringarthylsa kpl. R.H.D	5	
0420	19 79 18 480	1	1	Tension pin R.H.D	Spännstift R.H.D	5	42)
0480	20 73 23 017	1	1	Spring stop RHD	Fjäderstopp RHD	0	
0480	21 79 34 783	2	2	Spring R.H.D	Skruv R.H.D	0	
0500	22 79 15 564	2	2	Washer R.H.D	Bricka R.H.D	5	
0520	23 70 81 557	1	1	Ball	Sfär	3	
0540	24 70 81 813	1	1	Spring	Fjäder	5	
0600	25 73 17 175	1	1	Spring	Fjäder	5	
0600	26 71 84 690	1	1	Turn stop	Vridsäkring	5	
0600	27 79 18 246	1	1	Tension pin	Spännstift	5	
0620	28 71 84 706	1	1	Plastic bearing	Plastlager	3	
0680	29 71 80 864	1	1	Rubber ball	Gummikula	0	
0680	30 70 81 680	1	1	Fibre washer	Fiberbricka	4	
0680	31 70 81 706	1	1	Fibre washer	Fiberbricka	5	
0700	32 70 81 698	1	1	Nut	Mutter	0	
0720	33 79 51 445	2	2	Snap ring	Spärring	5	
0740	34 70 31 748	2	2	Washer	Bricka	5	



R 5132-V4

MASTER INDEX

0 General	1-A02
Complete	1-C02
1 Tools	1-F02
2 Engine	1-G02
3 Electrical System, Instruments	2-A02
4 Transmission	2-E02
5 Brakes	2-G02
6 Front assembly, Steering	2-I02
7 Suspension, Wheels	2-J02
8 Body	3-A02
9 Accessories	3-K02
10 Numerical Index	4-A02

6 GROUP INDEX

Front wheel suspension	2-I04
Steering, gear shift bar etc	2-I08

0350

Steering gear shift bar  
Styrväxel

Styrning, växelföring  
Styrväxel

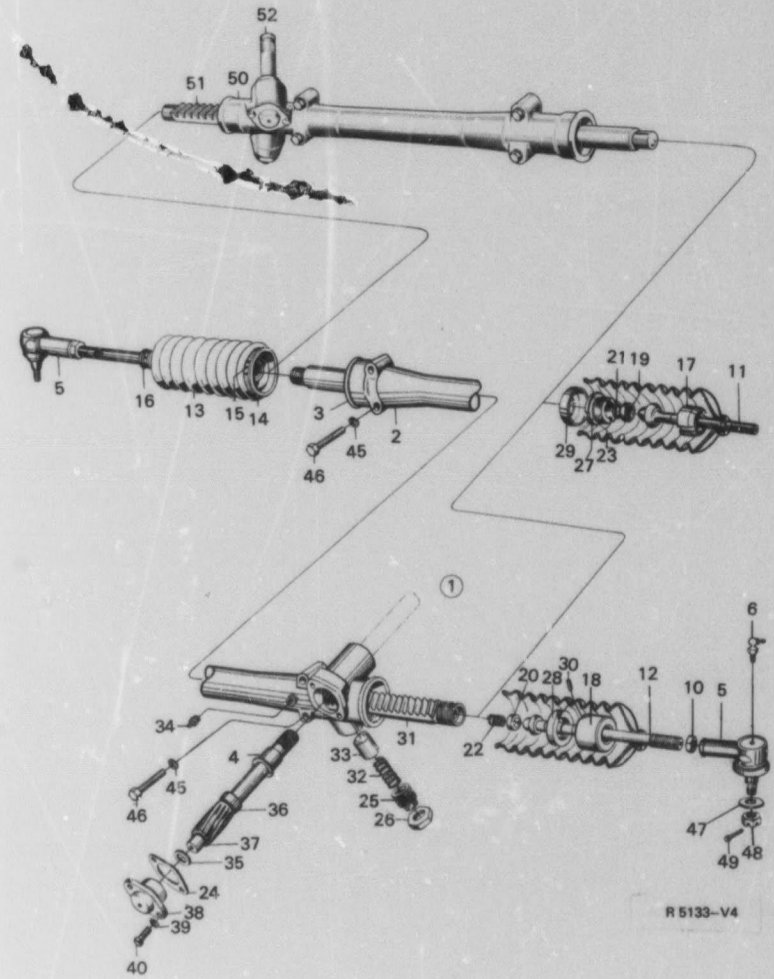
Date  
1982-04

Illustration  
Bild nr  
R5133

Group  
Grupp  
6

Page  
Sida  
17

Fig. Pos.	Part No Art nr	Quantity/Antal		Description	Benämning	K/S S/R /L	Notes Anmärkning
		96	95				
0100	1 73 48 014	1	1	Steering gear with tie rod assy.	Styrväxel med stag kpl.	4	
0120	2 73 12 044	1	1	Steering-gear housing assy.	Styrväxelhus kpl.	6	
0180	3 71 03 424	1	1	Bushing	Busning	3	
0200	4 70 76 565	1	1	Bushing	Busning	3	
0220	5 73 72 152	2	2	Tie rod end assy.	Styrstagsända kpl.	2	
0240	6 71 17 971	2	2	Grease nipple	Smörjnippel	5	31)
0320	10 71 17 773	2	2	Nut	Mutter	3	
0340	11 70 76 755	2	2	Tie rod	Styrstag	3	6) PART OF 73 48 014
0360	12 73 41 670	2	2	Tie rod	Styrstag	3	
0380	13 78 46 025	2	2	Bellows assy.	Bälg kpl.	3	
0400	14 70 79 056	2	2	Strap	Bändjärn	3	29)
0420	14 73 41 736	2	2	Clamp	Klamma	3	30)
0440	15 70 48 473	2	2	Clamp	Klamma	3	29)
0460	16 71 17 815	2	2	Ring	Ring	3	
0480	17 70 76 748	2	2	Bearing cup, outer	Lagerskål, yttre	3	6) PART OF 73 48 014
0500	18 73 41 712	2	2	Bearing cup, outer	Lagerskål, yttre	3	6)
0520	19 70 76 730	2	2	Bearing cup, inner	Lagerskål, inre	3	6) PART OF 73 48 014
0540	20 73 41 704	2	2	Bearing cup, inner	Lagerskål, inre	3	6)
0560	21 70 88 419	2	2	Flat spring	Brickfjäder	3	6)
0580	22 73 41 886	2	2	Spring	Fjäder	3	6) PART OF 73 48 014
0600	23 70 78 015	X	X	Shim 0,05 mm	Mellanlägg 0,05 mm	4	
0620	23 70 78 502	X	X	Shim 0,07 mm	Mellanlägg 0,07 mm	4	
0640	23 70 79 031	X	X	Shim 0,3 mm	Mellanlägg 0,3 mm	4	
0660	23 73 41 883	X	X	Shim 0,07 mm	Mellanlägg 0,07 mm	4	
0680	24 70 76 623	X	X	Shim 0,1 mm	Mellanlägg 0,1 mm	4	
0700	24 70 73 631	X	X	Shim 0,3 mm	Mellanlägg 0,3 mm	4	
0720	24 73 42 009	X	X	Shim 0,7 mm	Mellanlägg 0,7 mm	4	
0740	25 71 17 858	1	1	Screw	Skruv	5	
0760	26 71 17 849	1	1	Nut	Mutter	5	
0780	27 70 76 722	2	2	Nut	Mutter	5	6)
0800	28 73 41 720	2	2	Nut	Mutter	5	6) PART OF 73 48 014
0840	29 70 76 714	2	2	Washer	Bricks	5	6)
0860	30 73 41 688	2	2	Lock pin	Låsstift	0	6) PART OF 73 48 014
0880	31 78 88 961	1	1	Rack	Kuggstäng	6	6) PART OF 73 48 014
0820	31 73 48 030	1	1	Rack	Kuggstäng	6	
0940	32 70 46 139	1	1	Spring	Fjäder	6	
0960	33 70 76 856	1	1	Piston	Kolv	4	
0980	34 79 13 841	1	1	Grease nipple	Smörjnippel	5	
1000	35 70 76 599	1	1	Washer	Bricks	5	
1020	36 71 21 213	1	1	Spacer sleeve	Distanshylsa	5	
1060	37 73 48 055	1	1	Pinion	Kuggdrev	5	6) PART OF 73 48 014
1080	38 73 49 004	1	1	Bearing	Lager	6	6)
1100	38 73 49 004	1	1	Bearing	Lager	6	6) PART OF 73 48 014
1120	39 79 10 540	2	2	Washer	Bricks	5	
1140	40 79 03 016	2	2	Washer	Bricks	5	
1160	46 78 10 565	2	2	Screw	Skruv	5	
1180	46 79 03 404	4	4	Washer	Bricks	5	
1200	47 70 79 48	2	2	Screw	Skruv	5	31)
1240	48 79 14 725	2	2	Washer	Bricks	3	
1280	49 79 26 934	2	2	Lock nut	Låsmutter	3	31)
1280	49 79 26 934	2	2	Cotter pin	Saxpinne	3	31)
1280	50 73 12 069	1	1	Steering-gear housing assy. R.H.D	Styrväxelhus kpl. R.H.D	6	
1300							
1320	51 71 62 828	1	1	Rack R.H.D	Kuggstäng RHD	6	46)
1340	51 73 41 829	1	1	Rack R.H.D	Kuggstäng R.H.D	6	47) ALT FOR 71 62 928
1350	51 73 48 048	1	1	Rack R.H.D	Kuggstäng R.H.D	6	6) PART OF 73 48 014



R 5133-V4

MASTER INDEX

0 General	1-A02
Complete	1-C02
1 Tools	1-F02
2 Engine	1-G02
3 Electrical System, Instruments	2-A02
4 Transmission	2-E02
5 Brakes	2-G02
6 Front assembly, Steering	2-I02
7 Suspension, Wheels	2-J02
8 Body	3-A02
9 Accessories	3-K02
10 Numerical Index	4-A02

6 GROUP INDEX

Front wheel suspension	2-I04
Steering, gear shift bar etc	2-I08

6. Ch.-507.018.96.-62.058.95.  
 29. Ch.-480.000.96.-54.000.95.  
 30. Ch. 480.001.-96.1.4.001.-95.  
 31. Ch.-96722011919.-96722010503, RHD -96726002579 - 96722003689 -96722.03388, RHD.  
 46. Superseded by 7341806, 7341888, 7341670, 7341704, 7348048.  
 47. Superseded by 7348063, 7348048.

0350

**Steering gear shift bar  
Steering gear**

**Styrning, växelföring  
Styrväxel**

Date  
Datum  
**1982-04**

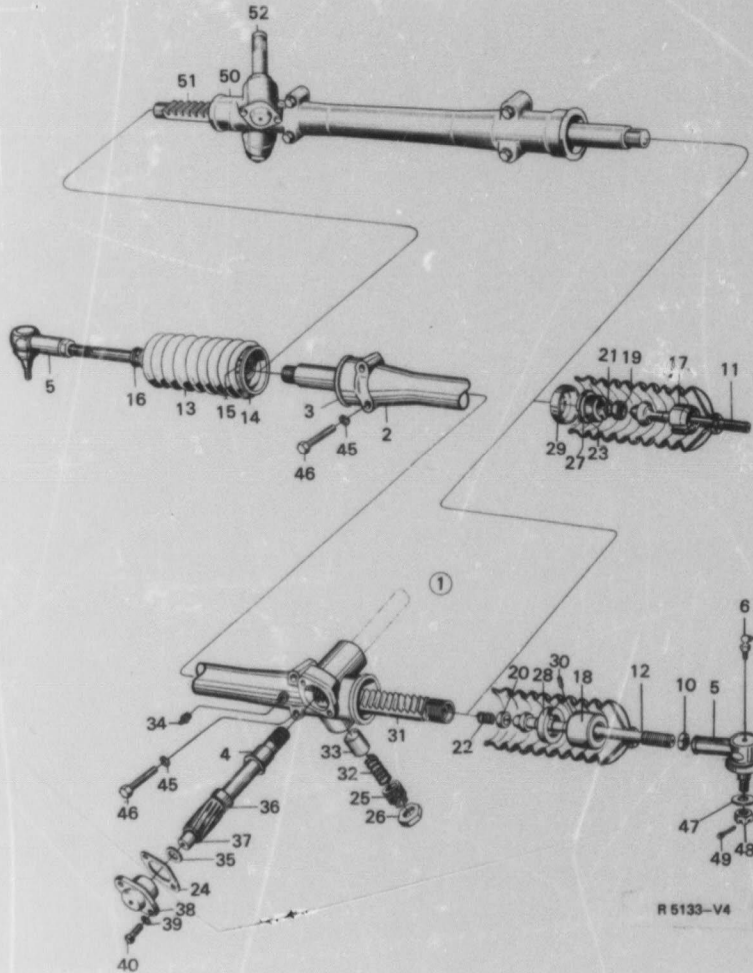
Illustration  
Bild nr  
**R5133**

Group  
Grupp  
**6**

Page  
Sida  
**19**

1380  
1400

Fig. Pos.	Part No Art nr	Quantity/Åantal		Description	Benämning	K/S S/R /L	Notes Anmärkning
		96	95				
52	71 62 910	1	1	Pinion R.H.D	Kuggdrev RHD		PART OF 73 48 014
52	73 48 063	1	1	Pinion R.H.D	Kuggdrev R.H.D		



**MASTER INDEX**

<b>0 General</b>	1-A02
<b>Complete</b>	1-C02
<b>1 Tools</b>	1-F02
<b>2 Engine</b>	1-G02
<b>3 Electrical System, Instruments</b>	2-A02
<b>4 Transmission</b>	2-E02
<b>5 Brakes</b>	2-G02
<b>6 Front assembly, Steering</b>	2-I02
<b>7 Suspension, Wheels</b>	2-J02
<b>8 Body</b>	3-A02
<b>9 Accessories</b>	3-K02
<b>10 Numerical Index</b>	4-A02

**6 GROUP INDEX**

<b>Front wheel suspension</b>	2-I04
<b>Steering, gear shift bar etc</b>	2-I08

0050	SUSPENSION SYSTEM. WHEELS	FJÄDRINGSSYSTEM, HJUL	Date Datum 1982-04	Group Grupp 7	Page Sida 1
0020	TABLE OF CONTENTS				
0040	Front suspension, wheels .....		7:3	2-J04	
0060	Rear suspension .....		7:7	2-J08	
0080	Rear axle .....		7:11	2-J12	
0100	GRUPPFÖRTECKNING				
0120	Framre fjädring, hjul .....		7:3	2-J04	
0140	Bakre fjädring .....		7:7	2-J08	
0160	Bakaxel .....		7:11	2-J12	
0180	GRUPPENVERZEICHNIS				
0200	Vorderradfjädring, Räder .....		7:3	2-J04	
0220	Hinterer Föderung .....		7:7	2-J08	
0240	Hinterachse .....		7:11	2-J12	
0260	TABLE DES MATIERES				
0280	Suspension AV, roues .....		7:3	2-J04	
0300	Suspension AR .....		7:7	2-J08	
0320	Essieu AR .....		7:11	2-J12	
0340	SUMARIO				
0360	Suspensión Del, ruedas .....		7:3	2-J04	
0380	Suspensión Tras .....		7:7	2-J08	
0400	Eje Tras .....		7:11	2-J12	

MASTER INDEX

0 General	1-A02
Complete	3-C02
1 Tools	1-F02
2 Engine	1-G02
3 Electrical System, Instruments	2-A02
4 Transmission	2-E02
5 Brakes	2-G02
6 Front assembly, Steering	2-I02
7 Suspension, Wheels	2-J02
8 Body	3-A02
9 Accessories	3-K02
10 Numerical Index	4-A02

7 GROUP INDEX

Front suspension, wheels	2-J04
Rear suspension	2-J08
Rear axle	2-J12

MASTER INDEX

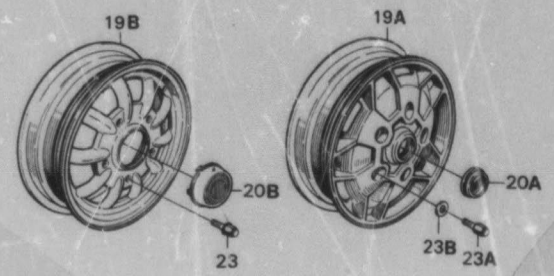
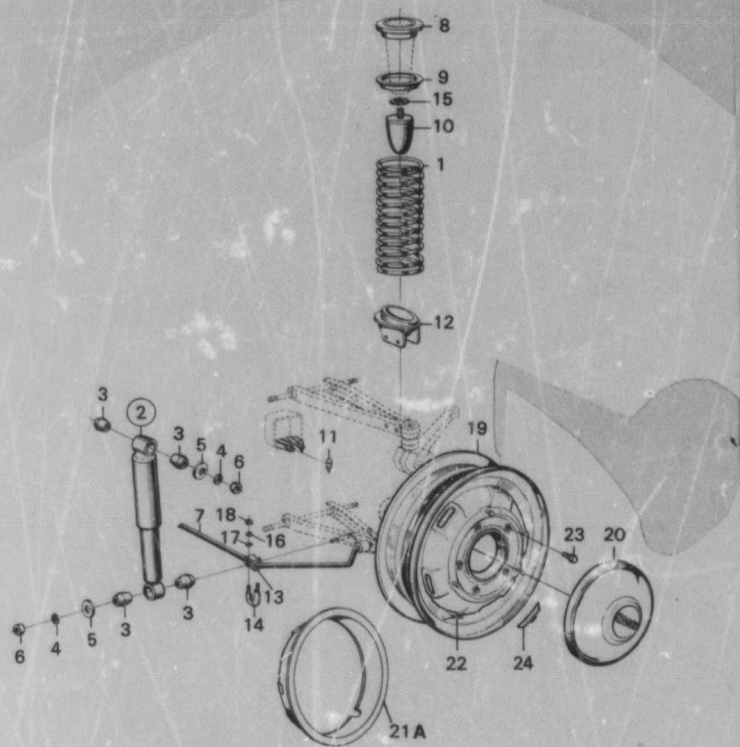
0 General	1-A02
Complete	1-C02
1 Tools	1-F02
2 Engine	1-G02
3 Electrical System, instruments	2-A02
4 Transmission	2-E02
5 Brakes	2-G02
6 Front assembly, Steering	2-I02
7 Suspension, Wheels	2-J02
8 Body	3-A02
9 Accessories	3-K02
10 Numerical Index	4-A02

7 GROUP INDEX

Front suspension, wheels	2-J04
Rear suspension	2-J08
Rear axle	2-J12

0100	Front suspension, wheels	Främre fjädring, hjul	Date Detum	Illustration Bild nr	Group Grupp	Page Sida
			1982-04	R5134	7	3

Fig. Pos.	Part No Art nr	Quantity/Antal		Description	Benämning	K/S S/R L	Notes Anmärkning
		96	95				
0040	1 73 71 677	2	2	Spring	Fjäder		5 3)
0060	1 73 72 071	2	2	Spring	Fjäder		5 4,10)
0080	1 73 95 148	2	2	Spring	Fjäder		5 11)
0100	1 73 37 207	2	2	Spring	Fjäder		5 3,37)
0120	1 73 72 933	2	2	Spring	Fjäder		5 4,37)
0140	2 88 15 839	2	2	Kit, shock absorber	Sats, stötdämpare kpl.		14)
0150				assy			
0180	2 89 10 457	2	2	Kit, shock absorber	Sats, stötdämpare kpl.		15)
0200				assy			
0220	2 8194 507	2	2	Kit, shock absorber	Sats, stötdämpare kpl.		1) ALTERN. TO 8910457
0240				assy			
0280	2 70 57 849	2	2	Kit, shock absorber	Sats, stötdämpare kpl.		8) ICELAND.
0280				assy			9,14) EXPORTS AFRICA, SOUTH-AMERICA, SF
0300	2 70 57 849	2	2	Kit, shock absorber	Sats, stötdämpare kpl.		
0300				assy			
0320				.Bushing	.Bussning	S7	
0340	3 88 20 894	8	8	.Washer	.Bricka	S5	
0380	4 76 10 575	4	4	.Washer	.Bricka	S5	
0380	5 70 31 404	4	4	.Washer	.Bricka	S5	
0400	6 73 04 088	4	4	.Nut	.Mutter	S5	
0420	7 70 76 383	1	1	Stabilizer	Krängningshämmare	6 5)	
0440	8 70 76 052	2	2	Spacer	Mellanlägg	6 1)	
0460	8 73 37 284	2	2	Spacer	Mellanlägg	6 2)	
0480	9 76 01 202	2	2	Support ring	Fjäderstöd	6	
0500	10 89 21 462	2	2	Rubber bumper, upper	Gummbuffert, övre	5	
0520	11 70 71 145	4	4	Rubber bumper, lower	Gummbuffert, nedre	5	
0560	12 76 11 180	2	2	Spring support	Fjäderstöd	6	
0580	13 70 76 232	1	1	Bushing	Bussning	3 5)	
0600	14 70 76 310	2	2	Clamp	Klamma	5 5)	
0620	15 79 10 589	2	2	Washer	Gricka	5 18)	
0640	16 79 10 557	4	4	Washer	Bricka	5 5)	
0660	17 79 18 505	4	4	Washer	Bricka	5 5)	
0680	18 73 14 708	4	4	Nut	Mutter	4 3)	
0700	19 73 41 951	5	5	Wheel	Hjul	0 4,10) (732006)	
0720	19 88 15 920	5	5	Wheel	Hjul	0 12,16) (732006)	
0740	19 88 15 920	5	5	Wheel	Hjul	4 17)	
0760	19 73 95 205	5	5	Wheel	Hjul	4 13, 42)	
0780	19 73 95 205	5	5	Wheel	Hjul	4 43)	
0780	19 73 95 205	5	5	Wheel	Hjul	40, 41) (1910667 DT	
0790	19A	4	4	Wheel	Hjul	0 43) (1923020	
0795	19B	4	4	Wheel	Hjul	2 19)	
0800	20 73 18 488	4	4	Hub cap	Hjulkapsel		



R 5134-V4

- Ch.-450 407.96.-48.504.95.
- Ch.-460 408.-96.48.505.-95.
- Ch.-56.527.413.-61602638.-85.102.190.-51801185.
- Ch.-96722000001.-9672800001.-9572000001.-9572800001.-
- Ch.-96722013535.-95722004145.
- Ch.-96732011837.-95722003894.
- Ch.-96732011638.-95732003695.-
- Ch.-96752015165.-95758001419.-95752003348.-95753003018.-95758000281.
- Ch.-96752090001.-96762000001.-95769000001.-95753080001.-95763000001.-95768000001.-
- Ch.-95753090001.-95753000001.-95768000001.-
- Ch.-95752080001.-95752000001.-95768000001.-
- Ch.-96752015165.-957580002478.-95753081530.-957580000037.
- Ch.-96752000001.-95760000001.-95758002478.-95753081531.-957580000038.-
- Ch.-96782007235.-95763001222.-95786007534.-95783002000.-957680000080.
- Ch.-95772000001.-95773000001.-95778000001.-95773000001.-95776000001.-
- Ch.-95752006546.-95752001992.
- Sf and other countries.
- Ch95798000001.-
- Ch.-95788010740.
- Ch.9680600001.-

0100

Front suspension, wheels		Framre fjädring, hjul		Date Datum	Illustration Bild nr	Group Grupp	Page Sida
				1982-04	R5134	7	5

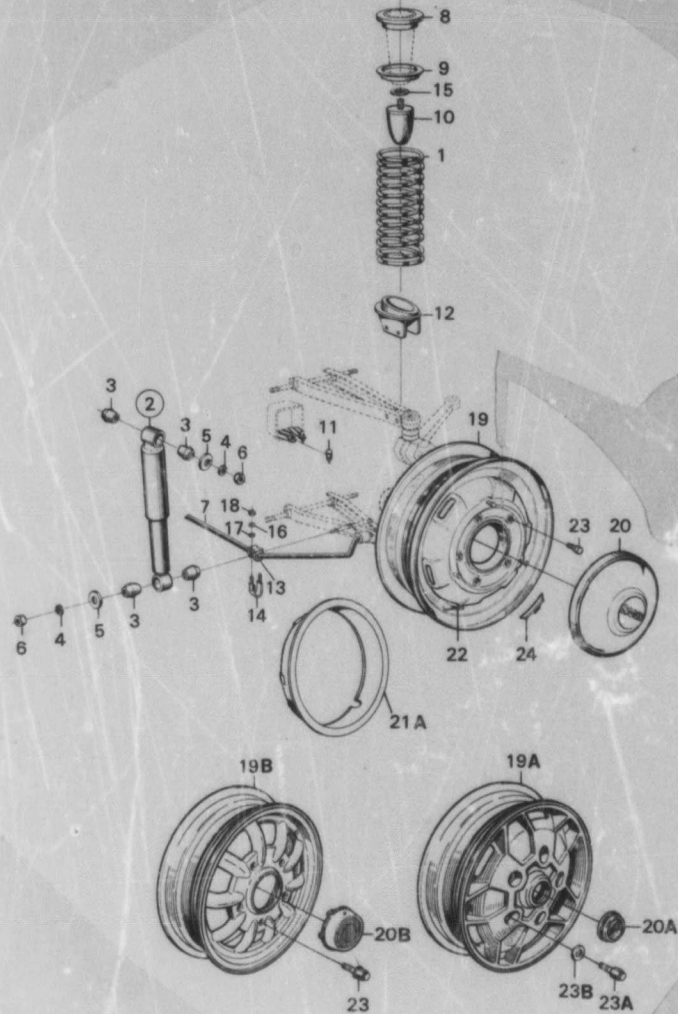
Fig. Pos.	Part No Art nr	Quantity/ Antal		Description	Denämning	K/S Notas	
		96	95			S	R Anmärkning
0620	20	73 48 451	4	4	Hub cap	Hjulkapsel	2 8)
0640	20	73 72 354	4	4	Hub cap	Hjulkapsel	2 7, 38)
0650	20	72 85 988	4	4	Hub cap	Hjulkapsel	40, 42)
0665	20A	68 53 420	4	4	Emblem cap	Emblemkapsel	40, 41) (18)22327 DT
0687	200	68 53 420	4	4	Emblem cap	Emblemkapsel	0 43) (18)23952
0670	21A	68 41 452	4	4	Trim, wheel	Dekorning	3 43)
0680	22	70 79 494	5	5	Valve	Ventil	20) (60)900076
0600	22	89 07 545	5	5	Valve	Ventil	21) (80)900001
0620	23	70 61 558	20	20	Wheel bolt	Hjultult	2 38)
0630	23	72 85 950	20	20	Wheel bolt	Hjultult	2 40, 42)
0601	23	86 53 412	20	20	Wheel bolt	Hjultult	0 43)
0633	23A		20	20	Washer	Bricka	40, 41) (18)11213 DT
0635	23B		20	20	Washer	Bricka	40, 41) (18)11221 DT
0640	24	71 06 010	X	X	Counter weight 15 g	Balanseringsvikt 15 g	
0670	24	71 09 028	X	X	Counter weight 30 g	Balanseringsvikt 30 g	
0680	24	71 09 036	X	X	Counter weight 40 g	Balanseringsvikt 40 g	
1001	24	71 09 044	X	X	Counter weight 60 g	Balanseringsvikt 60 g	
1020		78 27 744	X	X	Bushing kit, front	Bussningssets, främre	
1040					Shock absorber	Stötdämpare	5

MASTER INDEX

0	General Complete	1-A02 1-C02
1	Tools	1-F02
2	Engine	1-G02
3	Electrical System, Instruments	2-A02
4	Transmission	2-E02
5	Brakes	2-G02
6	Front assembly, Steering	2-I02
7	Suspension, Wheels	2-J02
8	Body	3-A02
9	Accessories	3-K02
10	Numerical Index	4-A02

7 GROUP INDEX

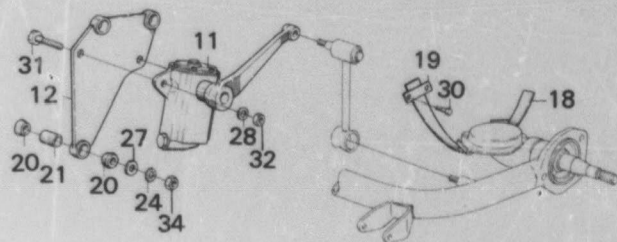
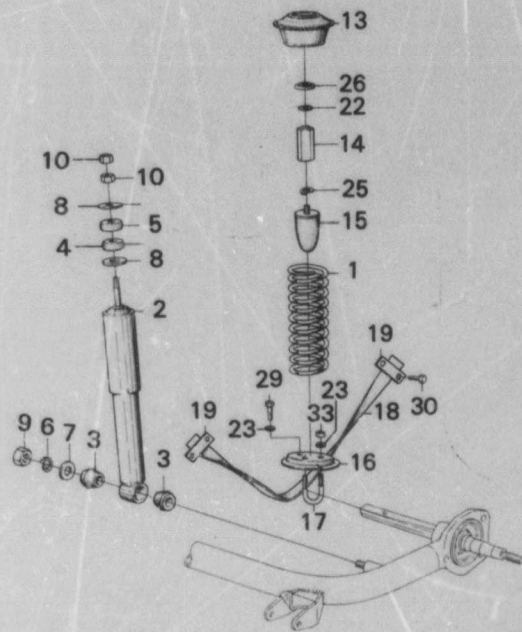
Front suspension, wheels	2-J04
Rear suspension	2-J08
Rear axle	2-J12



R 5134-V4

- 5. Ch. 96 520 001 - 96722021987 - 96726006008. 95 095 001 - 95722008323 - 95726000119.
- 7. Ch. 98722000001 - 96736000001 - 95732000001 - 95736000001 -.
- 20. Ch. 456 626 96 - 50 187 96 (80) 900076.
- 21. Ch. 470 001 - 96 52 001 - 95 (60) 900001.
- 39. Ch. 96783004638 - 96786006137.
- 40. Ch 96796000001 -.
- 41. Accessories part No only
- 42. Ch. 96798010740.
- 43. Ch 968060001 -.





R 2681 - V4

0150

Rear suspension		Bakre fjädring		Date Datum	Illustration Bild nr	Group Grupp	Page Sida
				1982-04	R2681	7	7
Fig. Pos.	Part No Art nr	Quantity/Antal		Description	Benämning	K/S S/R /L	Notes Anmärkning
		96	95				
0020	1 70 93 834	2		Spring	Fjäder	S	(29)
0040	1 73 95 156	2		Spring	Fjäder	S	(30)
0050	1 72 00 512		2	Spring	Fjäder	S	
0080	1 72 00 585		2	Spring	Fjäder	S	ALTERNATIVE SPRING
0100					HD -type		
0120	2 88 15 847	2		Kit, shock absorber, assy	Sets, stötdämpare kpl.		(1,28)
0140							
0160	2 88 15 847	2		Kit, shock absorber, assy	Sets, stötdämpare kpl.		
0180							
0200	3 98 20 894	4		Bushing	Bussning	S	7
0220	3 71 83 817	2		Bushing	Bussning	S	7
0240	5 73 28 936	2		Bushing	Bussning	S	7
0260	6 79 10 573	2		Washer	Bricka	S	5
0280	7 70 31 404	2		Washer	Bricka	S	5
0300	8 71 63 637	4		Washer	Bricka	S	5
0320	9 79 04 089	2		Nut	Mutter	S	5
0340	10 79 04 071	4		Nut	Mutter	S	5
0360	11 72 80 316		1	Rear shock absorber LH	Stötdämpare V		(31) (72 51 473)
0380							
0400	11 72 80 324		1	Rear shock absorber RH	Stötdämpare H		(31) (72 51 481)
0420							
0440	11 72 80 316		1	Rear shock absorber LH	Stötdämpare V		(32)
0460							
0480	11 72 80 324		1	Rear shock absorber RH	Stötdämpare H		(32)
0500							
0520	12 72 43 058	2		Bracket	Hållare	S	
0560	13 73 72 311	2	2	Spring insulator	Fjäderisolator		ALTERNATIV TO 70 79 678
0580	14 70 89 865	2		Nut	Mutter		(22)
0600	14 73 72 899	2		Nut	Mutter		(23)
0620	14 72 09 083		2	Nut	Mutter		(24)
0640	14 73 72 907		2	Nut	Mutter		(25)
0660	15 89 21 462	2	2	Rubber buffer	Gummibuffer		(5)
0680	16 70 93 792	1		Spring seat LH	Fjäderstöd V		(3)
0700	16 70 93 800	1		Spring seat RH	Fjäderstöd H		(3)
0720	17 70 93 818	2		U-bolt	U-bult		(3)
0740	18 70 82 606	2		Stop strap	Stoppband		(3)
0760	18 72 56 984		2	Stop strap	Stoppband		(6)
0780	18 70 71 541	4	4	Mounting plate	Fästplatta		(7)
0800	20 72 11 824		12	Bushing	Bussning		(5)
0820	21 72 11 840		6	Tube	Rör		(5)
0840	22 79 15 840	2	2	Washer	Bricka		(5)
0860	23 79 15 522	6	6	Washer	Bricka		(5)
0880	24 79 15 572	6	6	Washer	Bricka		(5)
0900	25 79 10 599	2	2	Washer	Bricka		(18)
0920	26 70 89 873	2	2	Washer	Bricka		(5)
0940	26 73 72 402	2	2	Washer	Bricka		(28)
0960	27 72 11 857	6	6	Washer	Bricka		(5)
0980	28 70 47 318	4	4	Washer	Bricka		(5)
1000	29 79 03 180	2	2	Screw	Skruv		(5)
1020	30 79 03 172	8	8	Screw	Skruv		(5)
1040	31 72 43 207		4	Screw	Skruv		(5)

- 1. Ch. 450 407 96 - 48 504 95.
- 18. Ch. 96752005548 - 95752001992.
- 22. Ch. 96752005548.
- 23. Ch. 96752005547.
- 24. Ch. 95752001992.
- 25. Ch. 95752001993.
- 26. Exports Africa, South-America, Finland and Iceland.
- 28. Alternative for 7098873 s/str ch. 96722013747 - 96728005040 - 96722004730.
- 29. Ch. 96752061717 - 96752000198.
- 30. Ch. 96752061718 - 96752000199.
- 31. Ch. 95753061617 - 95753000135.
- 32. Ch. 95753061618 - 95753000136.

MASTER INDEX

- 0 General 1-A02
- Complete 1-C02
- 1 Tools 1-F02
- 2 Engine 1-G02
- 3 Electrical System, Instruments 2-A02
- 4 Transmission 2-E02
- 5 Brakes 2-C02
- 6 Front assembly, Steering 2-I02
- 7 Suspension, Wheels 2-J02
- 8 Body 3-A02
- 9 Accessories 3-K02
- 10 Numerical Index 4-A02

7 GROUP INDEX

- Front suspension, wheels 2-J04
- Rear suspension 2-J08
- Rear axle 2-J12

SAAB  
genuine parts  
original reservdelar

# 2-J10

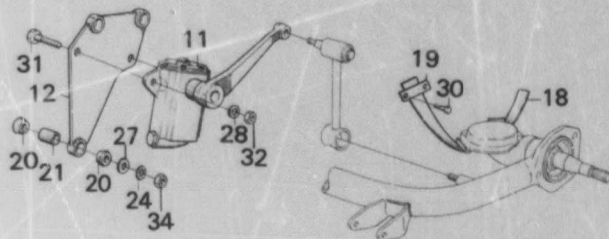
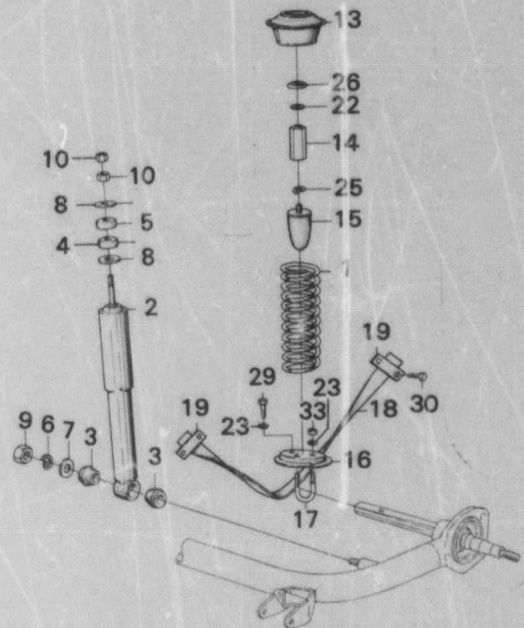
SAAB V4  
M67-80

## MASTER INDEX

0 General	1-A02
Complete	1-C02
1 Tools	1-F02
2 Engine	1-G02
3 Electrical System, Instruments	2-A02
4 Transmission	2-E02
5 Brakes	2-G02
6 Front assembly, Steering	2-I02
7 Suspension, Wheels	2-J02
8 Body	3-A02
9 Accessories	3-K02
10 Numerical index	4-A02

## 7 GROUP INDEX

Front suspension, wheels	2-J04
Rear suspension	2-J08
Rear axle	2-J12



R 2681 - V4

0150

Rear suspension		Bakre fjädring		Date Datum	Illustration Bild nr	Group Grupp	Page Sida
				1982-04	R2681	7	9
Fig. Pos.	Part No Art nr	Quantity/Antal		Description	Benämning	K/S S/R /L	Notes Anmärkning
		96	95				
1080	32 75 18 725		4	Nut	Mutter	3	
1080	33 75 14 708	4	4	Nut	Mutter	5	
1100	34 75 14 718		8	Nut	Mutter	5	

0200

Rear axle

Bakaxel

Date

Illustration

Group

Page

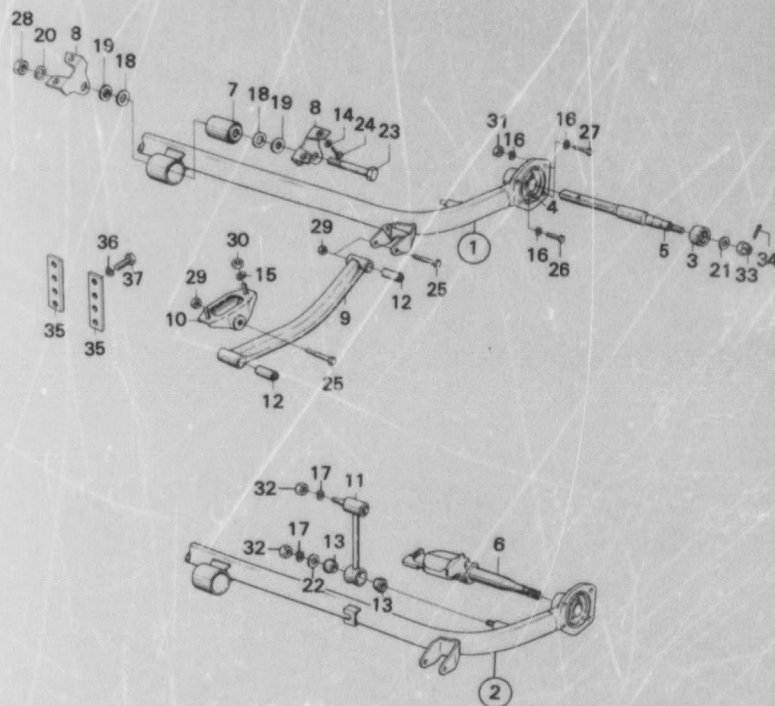
1982-04

R1713

7

11

Fig. Por.	Part No. Art nr	Quantity/Antal		Description	Benämning	K/S	Notes Anmärkning
		96	95				
0020	1	71 98 062	1	Rear axle whit stub	Bakaxel med axel-		
0040	2	72 48 564	1	axle	tappar		
0050	3	70 95 078	2	Rear axle whit stub	Bakaxlar med axel-		
0100	3	72 02 175	2	.Sleeve	tappar		
0140	4	71 09 489	1	.Sleeve	.Hylsa		
0180	5	70 95 062	1	.Sleeve	.Hylsa		
0180	5	70 95 080	1	.Plug	.Plugg		33)
0200	6	72 50 806	2	.Stub axle LH	.Axelstapp V		
0280	8	70 82 381	1	.Stub axle RH	.Axelstapp H		
0280	8	78 15 222	2	.Bracket	.Bussning		
0300	11	72 09 034	2	.Bracket	.Konsol		
0320	12	70 99 984	4	.Link	.Länk		
0340	13	89 20 894	4	.Bearing	.Lager		
0360	14	70 19 557	4	Shock absorber link	Stötdämparlänk		
0380	15	79 10 573	4	Bushing	Bussning		
0400	16	79 10 557	12	Bushing	Bussning		
0420	17	79 10 573	2	Washer	Bricka		
0440	18	70 82 466	2	Washer	Bricka		
0460	19	70 82 449	2	Washer	Bricka		
0480	20	80 30 056	1	Washer	Bricka		
0500	21	80 73 132	2	Washer	Bricka		
0520	22	70 31 404	2	Washer	Bricka		
0540	23	71 05 780	1	Bolt	.Bult		
0560	24	79 03 164	4	Screw	Skruv		
0580	25	70 82 266	4	Screw	Skruv		
0600	26	79 03 396	4	Screw	Skruv		
0620	26	79 35 885	4	Screw	Skruv		
0640	27	79 03 172	4	Screw	Skruv		
0660	28	79 18 759	1	Nut	.Mutter		
0680	29	79 18 717	4	Nut	.Mutter		
0700	29	79 40 489	4	Nut	.Mutter		
0720	30	79 14 726	4	Nut	.Mutter		
0740	31	79 14 709	4	Nut	.Mutter		
0760	32	79 04 089	4	Nut	.Mutter		
0780	33	79 04 261	2	Crown nut	Kronmutter		
0800	34	79 04 950	2	Cotter pin	Saxpinne		
0820	35	71 80 623	2	Nut washer	.Mutterbricka		
0840	36	79 10 557	4	Washer	Bricka		
0860	27	79 00 178	4	Screw	Skruv		



R 1713 - V4

MASTER INDEX

- 0 General Complete 1-A02 1-C02
- 1 Tools 1-F02
- 2 Engine 1-G02
- 3 Electrical System, Instrument's 2-A02
- 4 Transmission 2-E02
- 5 Brakes 2-G02
- 6 Front assembly, Steering 2-I02
- 7 Suspension, Wheels 2-J02
- 8 Body 3-A02
- 9 Accessories 3-K02
- 10 Numerical Index 4-A02

7 GROUP INDEX

- Front suspension, wheels 2-J04
- Rear suspension 2-J08
- Rear axle 2-J12

33. Ch.-95.568.400.-95.086.400.  
34. Ch.-96.543.410.-95.072.786.  
35. Ch. 96.546.411.-95.072.787.-  
36. Ch.-96752012487.-95753002090.

EXTRA EQUIPMENT  
EXTRA EQUIPMENT  
EXTRA EQUIPMENT